



Barbican Avenue

Metro Modular Avenue offers 8 lengths, starting at 12" and increasing by 12" increments ending in 96". Widths are 3,4,6,8,10,12 " & heights are 3,4,6,8,10,12 "



Please find an overall listing of all product options. Barbican specializes in producing products on a per request basis. Please feel free to use our online builder to determine conditional options, or confer with your lighting rep, or reach out to sales@barbican.ca for more information.

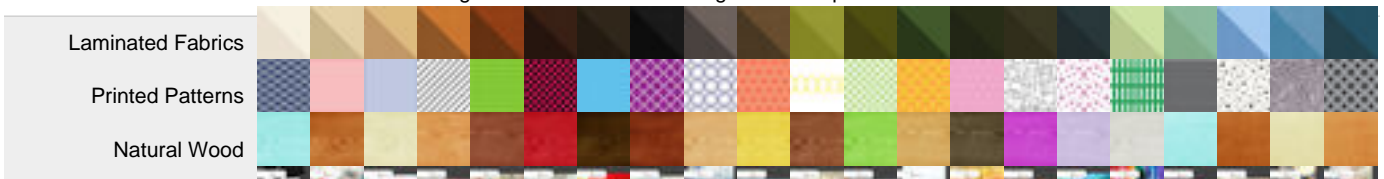


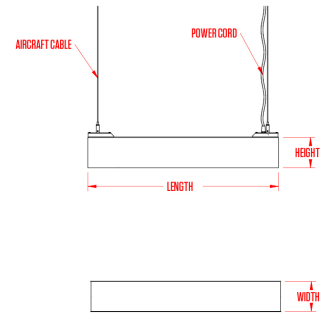
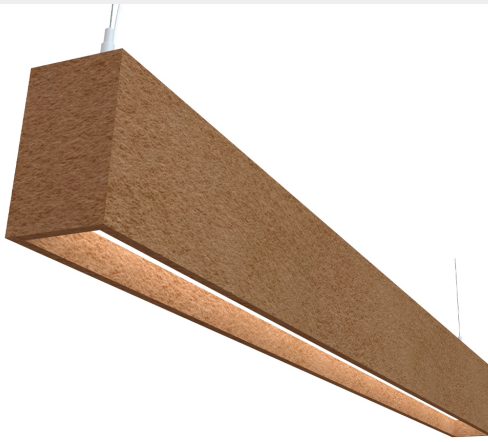
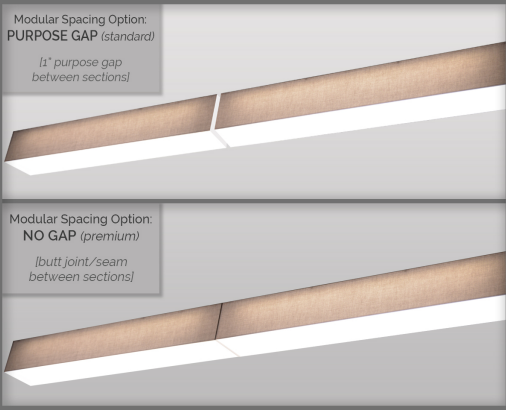
Modular Component Size		Size		Mounting		End Lens		Driver Location		Finish (Canopies, Stems)	
12L	12" length	3W	3H	ACW	Aircraft Cable WHITE Power Cord	MBL	Match Bottom Lens	SCL	Surface Ceiling Location	WHT	White
		4W	4H							BLK	Black
24L	24" length	6W	6H	ACB	Aircraft Cable BLACK Power Cord	MFM	Match Front Material	FCL	Flush Ceiling Location	BA	Brushed Aluminum
		8W	8H							RAL	RAL (North American)
36L	36" length	10W	10H					ACL	Above Ceiling Location		
48L	48" length	12W	12H								
60L	60" length										
72L	72" length										
84L	84" length										
96L	96" length										

Source		Voltage		Temperature		Colour Rendering Index		Dimming Drivers		Assembly Type	
190LM/LF	190LM/LF (2W/LF)	120V	120 Volts	2700K	2700 °K	90CRI	90 CRI	DB(0-10V)	DB(0-10V)	SP	Single Pendant
380LM/LF	380LM/LF (4W/LF)	277V	277 Volts	3000K	3000 °K					PG	Purpose Gap
760LM/LF	760LM/LF (8W/LF)			3500K	3500 °K					NG	No Gap (Premium)
				4000K	4000 °K						

Materials

Choose from our large materials collection using our online product builder.





 <small> 10000 475 Street, Suite 100, North York, Ontario M2H 3L9 100 475 Street, Suite 100, North York, Ontario M2H 3L9 www.barbican.ca 800-663-5781 info@barbican.ca </small>	PRODUCT CODE: 18-S90S
	PRODUCT NAME: AVENUE
	CONTACT: sales@barbican.ca