

# OLYMPUS

DOME PENDANT



Barbican's award-winning Olympus emanates the power and beauty found in high-end spaces.

Versatility is the key - whether it's making a restaurant feel more intimate, or acting as a medium in an industrial office space - the domed aluminum LED pendant commands attention with its smooth and seamless exterior.

Also available in two-tone, which offers no diffuser, you can choose a colour for the interior to create an entirely new look! Standard size is 32" diameter by 25" height with other sizes available upon request. Another option for the Olympus is upright, illuminating the ceiling above.

## RELATED FIXTURES



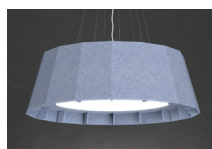
Surface Drum



Gear Drum



Double Devo



Fraser



Aerie



Northern Frost

## AVAILABLE FINISH OPTIONS


Metal



SPECIFICATION (1/2)

Fixture	Diameter	Height	Fixture Finish	Diffuser	Mounting
<b>01-017</b>	<b>32</b>	<b>25</b>		<b>HTO</b>	
<b>01-017</b> Olympus	<b>32D</b> 32" <i>Custom sizes available - minimum quantity required. Consult factory</i>	<b>25H</b> 25"	<b>WF2</b> White <b>BF2</b> Black <b>RAL</b> Custom <i>RAL North America; Consult factory</i>	<b>HTO</b> Opal	<b>ACM</b> Aircraft Cable * <i>Standard length 120"</i> <b>CUSM</b> Custom <i>Consult factory</i> <i>Length is field adjustable.</i> <i>* Remote with escutcheons contact factory for maximum cable lengths</i>

Driver Location	Voltage	Power Cable Finish	Stem/Canopy Finish
	<b>UNV</b>		
<b>SCDL</b> Surface Circular Canopy <b>SSDL</b> Surface Circular Side Entry <b>CUSDL</b> Custom Driver	<b>UNV</b> 120/277 Volts <i>Consult factory for other voltages</i>	<b>WPC</b> White <b>BPC</b> Black	<b>WCF</b> White <b>BCF</b> Black <b>ACF</b> Brushed Aluminum <b>RAL</b> Custom <i>RAL North America; Consult factory</i>

Color Temperature	Color Rendering	Delivered Output	Options Continued on Next Page												
	<b>90CRI</b>														
<i>White Sources</i> <b>2700K</b> 2700K <b>3000K</b> 3000K <b>3500K</b> 3500K <b>4000K</b> 4000K <b>3000FS</b> Full Spectrum <i>3000K</i> <b>3500FS</b> Full Spectrum <i>3500K</i> <b>2765K</b> Tunable White* <i>2700K - 6500K</i> <b>CUSK</b> Custom CT*	<i>RGB / RGBW Sources</i> <b>RGBW</b> RGBW* <i>*Consult factory for CT options in this column</i>	<b>90CRI</b> 90+ CRI <i>Full Spectrum: Min 95+ CRI Min R1-R15 90+ Rf 95 Rg 105</i>	<div style="text-align: right;">32"</div> <table border="1"> <tr> <td>Low Output</td> <td><b>6600LM</b> - 72W</td> </tr> <tr> <td>Standard</td> <td><b>9000LM</b> - 100W</td> </tr> <tr> <td>High Output</td> <td><b>13000LM</b> - 144W</td> </tr> <tr> <td>---_LM</td> <td>Custom Lumen Output*</td> </tr> </table> <p><i>Consult factory for outputs outside of this range. Total lumen output up to max 16,000 lm delivered based on diameter.</i></p> <div style="text-align: right;">32"</div> <table border="1"> <tr> <td>Standard</td> <td><b>72WO</b></td> </tr> <tr> <td>---_WO</td> <td>Custom Output*</td> </tr> </table> <p><i>Consult factory for outputs outside of this range. Total lumen output up to 250W delivered based on diameter</i></p>	Low Output	<b>6600LM</b> - 72W	Standard	<b>9000LM</b> - 100W	High Output	<b>13000LM</b> - 144W	---_LM	Custom Lumen Output*	Standard	<b>72WO</b>	---_WO	Custom Output*
Low Output	<b>6600LM</b> - 72W														
Standard	<b>9000LM</b> - 100W														
High Output	<b>13000LM</b> - 144W														
---_LM	Custom Lumen Output*														
Standard	<b>72WO</b>														
---_WO	Custom Output*														

## SPECIFICATION (2/2)

### Uplight Option

### Dimming Driver

**NOUL** No Uplight  
**1000UL** 1000LM Uplight  
**2000UL** 2000LM Uplight

#### White Sources Static

**S010V10** Standard 0-10V, 10%  
**S010V01** Standard 0-10V, 1%,  
 (dim to off)  
**EDALI01** DALI control, 0.1%  
**LECO01** Lutron Ecosystem, 1% SOFTB,  
 (Soft-on, Fade-to-Black)

#### White Sources Tunable

**TW010V** Tunable White 2-Channel 0-10V  
**TWDALI** Tunable White DALI control  
**LECOTW** Lutron Ecosystem, 1%,  
 Tunable White – T series

#### RGB / RGBW Sources

**EDMX01** DMX, 0.1%  
**CUSDD** Other Driver Options  
*Consult factory for availability of other driver options (including POE and Camera Safe)*

## WRITTEN SPECIFICATIONS

### LED System

- LED Circuitry is applied to minimum 0.0625" thick aluminum modules for excellent heat management. Modules are removeable for maintenance and are 90% recycleable.
- LEDs are 90+CRI, 3 SDCM.
- 32" dia fixture performance at 3000K 90CRI, 10,044 lms, 108W, 93 lm/W delivered.
- Full Spectrum, efficiency is 88 lm/W; CRI is 96+ with all R1-R15 values at 90 or higher and Rf (fidelity) of 95, Rg (gamut) of 105.
- Tunable White, efficiency is 90 lm/W; Delivered lumens will stay consistent across full CCT range.
- RGBW maximum individual channel (Red, Green, Blue, or White) is 25% of total watts specified. Lumen outputs per channel per watt as follows:  
 White only: 84 lm/W                      Red only: 24 lm/W  
 Green only: 71 lm/W                      Blue only: 14 lm/W  
 All four channels max: 44 lm/W (approx 9000K CCT)

### Mounting

- Power cables are low voltage from the canopy drivers.
- Drivers:** All drivers are mounted in the canopy. Standard drivers include 0-10V 10% dimming 120/277V with Power Factor of >.9. Barbican works with most Control and Driver manufacturers including POE and can easily modify the driver housings for special control gear. Fixtures over 96W may require more than one driver per fixture.
- Emergency fixtures are supplied with leads and KO for UL924 relays (by others). Battery back up will usually only drive one or two of the cores in larger fixtures to maintain the 90 minute requirement. Maximum distance driver to fixture 15 feet.
- Labels:** ETL US and Canada, CE Europe and Middle East (Dry, Damp indoor use only)
- Finish:** Polyester Powder Coated standard, Hand Brushed Aluminum
- Lumen Maintenance:** Reported L90 > 10,000hrs, Calculated > 60,000hrs (TM-21)
- Warranty:** 5 years limited at 25 Celsius. Contact Barbican for additional information.

### Construction

- Metal construction to be aluminum minimum 0.0625" thickness. Fasteners are to be stainless steel.
- Cable grippers are nickel plated solid brass and stainless steel. Cables are 1/16" stainless steel.
- Canopies and driver housings are minimum 0.0625" aluminum.
- Barbican's Drum fixtures comes standard with the shade and light engine fully enclosed to protect from ingress of dirt, dust and other site conditions.

## LABELS



ETL/CE  
Listed



Dry/Damp  
Rated



5  
Years  
5-Year  
Warranty



Power Over  
Ethernet



Tunable  
White



RGBW  
Color Tuning



Full  
Spectrum

# OLYMPUS

DOME PENDANT



## APPLICATIONS



# OLYMPUS

DOME PENDANT

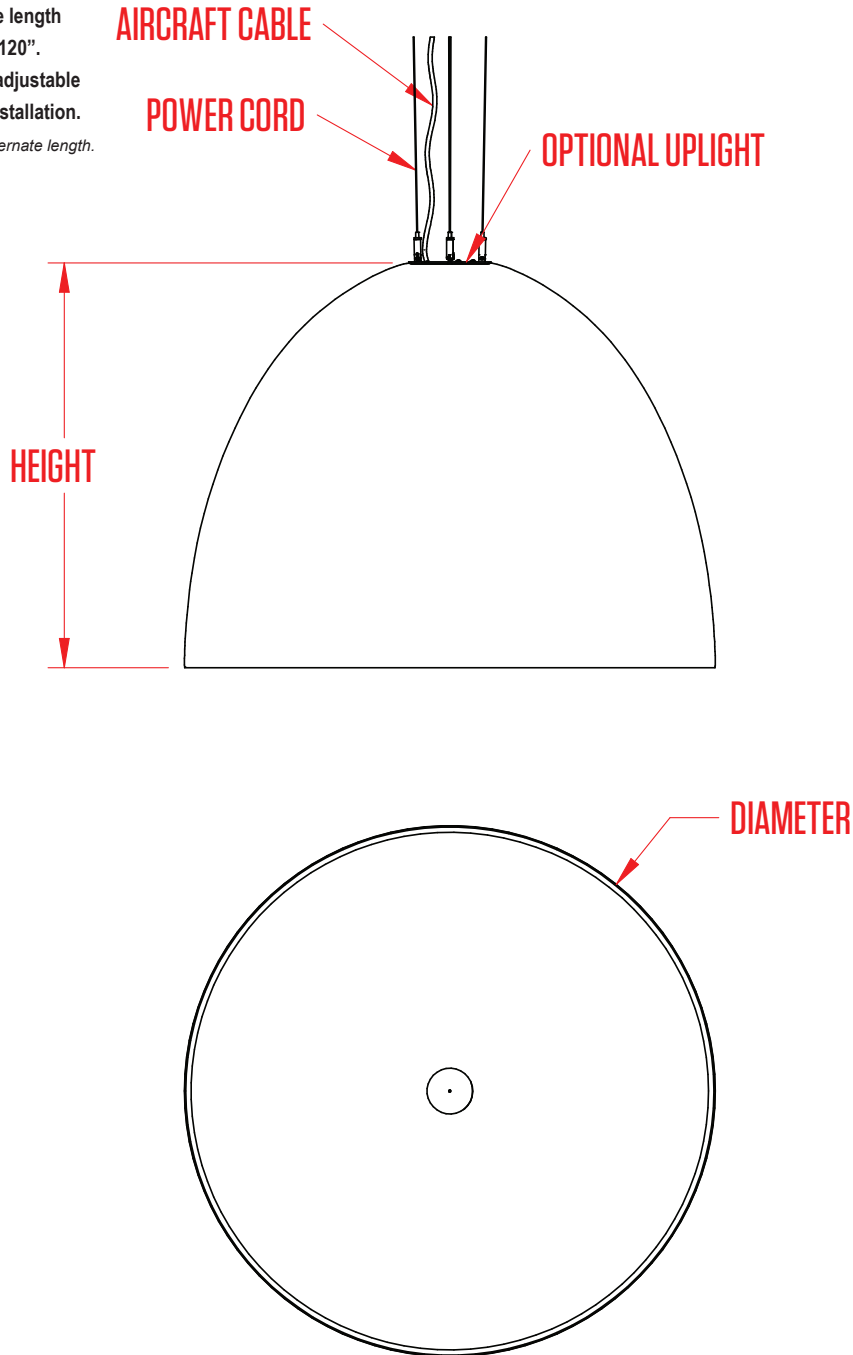


## APPLICATIONS



## Line Drawing

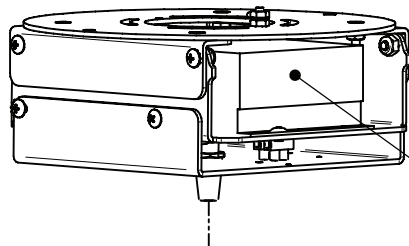
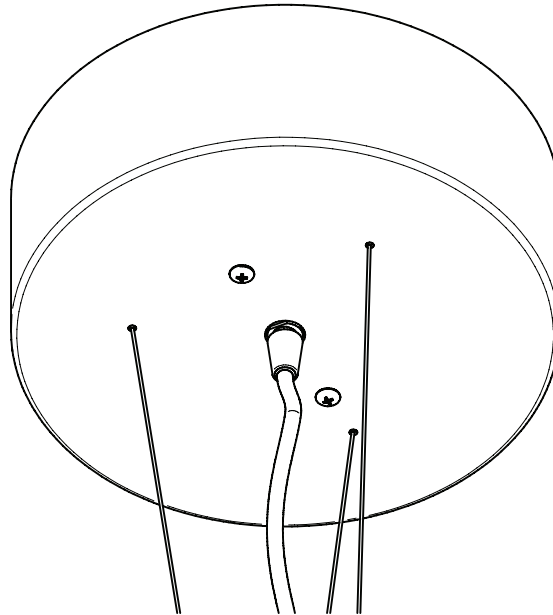
Standard cable length provided is 120".  
Cables are field adjustable shorter during installation.  
*Contact factory for alternate length.*



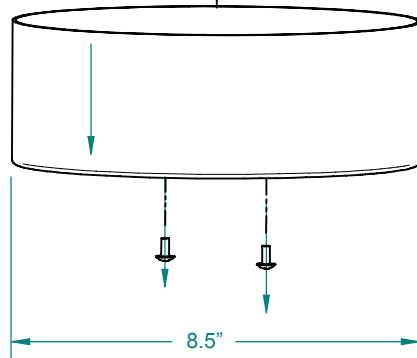
## SPECIFICATION DETAILS (cont.)

### Surface Circular Canopy (SCDL)

Aircraft Cable



Driver configuration may vary based on order



# OLYMPUS

DOME PENDANT

## SPECIFICATION DETAILS (cont.)

### Surface Circular Side Entry Canopy (SSDL)

