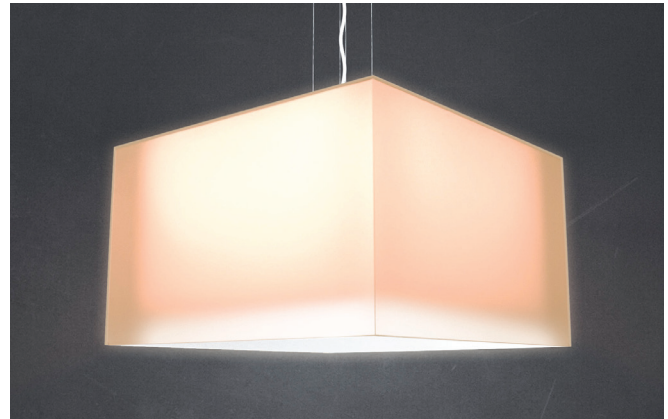
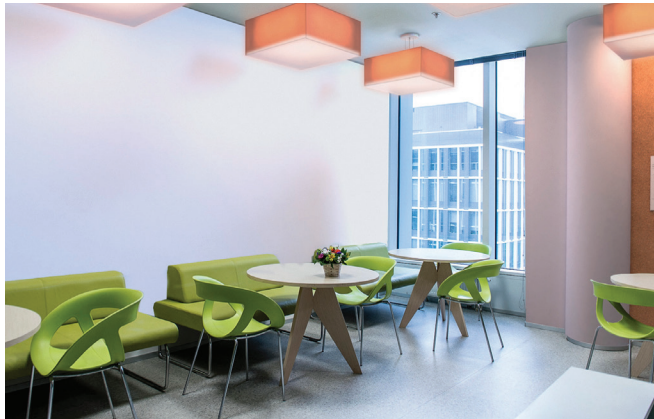


# NORTHERN FROST QUATTRO

PENDANT



Introducing Northern Frost Quattro, Barbican's square light fixture encapsulated with Northern Frost. Manufactured with Barbican's laminated shade material, ensures that the fixture is harder to damage, easier to clean and can be sanitized, allowing it to be used in spaces that require a high level of sanitation like hospitals and food services. The Northern Frost diffuser provides a soft gleam of colour. Make a metropolis in the sky.

Due to the slight opacity of the frosted outer material, printing is not a standard option for the Northern Frost Collection, but you can choose from more than 45 laminated fabric colours for the inner shade. Please note that measurements are based on the outer dimensions. Material and Diffuser options refer to the inner shade only. Standard inner diffuser is opal.

## RELATED FIXTURES



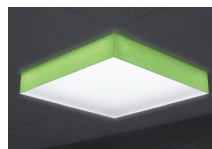
Quattro



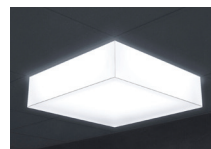
Surface Quattro



Foregone



Jut Box



Jut Box OWTI



Northern Frost Drum

## AVAILABLE FINISH OPTIONS

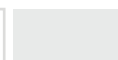
### Northern Frost



### Laminated Fabric



### Metal



# NORTHERN FROST QUATTRO

## PENDANT



Fixture	Square	Height	Shade Finish Category	Shade Finish Selection*	Diffuser	Mounting
<b>16-89</b>	<input type="text"/> W = L	<input type="text"/>	<input type="text"/>	<input type="text"/>	<b>HTO</b>	<input type="text"/>
<b>16-89</b> Northern Frost Quattro	<b>24SQ</b> 24" square	<b>12H</b> 12"	<b>LF</b> Laminated Fabric	<input type="text"/> Finish Name	<b>HTO</b> Opal	<b>ACM</b> Aircraft Cable * Standard length 120"
	<b>30SQ</b> 30" square	<b>18H</b> 18"	<b>FF</b> Fabric Free	* Please visit <a href="http://barbican.ca/resources">barbican.ca/resources</a> to view finishes or choose from the laminated materials lightbox in the drum product builder on our website.		
	<b>36SQ</b> 36" square	<b>24H</b> 24"	<b>CP</b> Custom Printing Consult factory	** If choosing FF for Fabric Free for Shades Finish Category, no selection is required here.		
	<b>42SQ</b> 42" square					
	<b>48SQ</b> 48" square					<b>STM</b> Stem Mount Standard length 48"
						<b>CUSM</b> Custom Consult factory Length is field adjustable. * Remote with escutcheons contact factory for maximum cable lengths

Driver Location	Voltage	Power Cable Finish	Stem/Canopy Finish	Color Temperature	
<input type="text"/>	<b>UNV</b>	<input type="text"/>	<input type="text"/>	<input type="text"/>	
<b>SCDL</b> Surface Circular Canopy	<b>UNV</b> 120/277 Volts Consult factory for other voltages	<b>WPC</b> White	<b>WCF</b> White	White Sources	
<b>SSDL</b> Surface Circular Side Entry		<b>BPC</b> Black	<b>BCF</b> Black		<b>2700K</b> 2700K
<b>CUSDL</b> Custom Driver			<b>ACF</b> Brushed Aluminum	<b>3000K</b> 3000K	RGB / RGBW Sources
			<b>RAL</b> Custom RAL North America; Consult factory	<b>3500K</b> 3500K	*Consult factory for CT options in this column
				<b>4000K</b> 4000K	
				<b>3000FS</b> Full Spectrum 3000K	
				<b>3500FS</b> Full Spectrum 3500K	
				<b>2765K</b> Tunable White* 2700K - 6500K	
				<b>CUSK</b> Custom CT*	

Color Rendering	Delivered Output																								
<b>90CRI</b>	<input type="text"/>																								
<b>90CRI</b> 90+ CRI Full Spectrum: Min 95+ CRI Min R1-R15 90+ Rf 95 Rg 105	<table border="1"> <thead> <tr> <th></th> <th>24"</th> <th>30"</th> <th>36"</th> <th>42"</th> <th>48"</th> </tr> </thead> <tbody> <tr> <td>Low Output</td> <td><b>1500LM</b> - 20W</td> <td><b>1900LM</b> - 25W</td> <td><b>2700LM</b> - 36W</td> <td><b>4500LM</b> - 60W</td> <td><b>6000LM</b> - 80W</td> </tr> <tr> <td>Standard</td> <td><b>1900LM</b> - 25W</td> <td><b>2700LM</b> - 36W</td> <td><b>4500LM</b> - 60W</td> <td><b>6000LM</b> - 80W</td> <td><b>7500LM</b> - 100W</td> </tr> <tr> <td>High Output</td> <td><b>2700LM</b> - 36W</td> <td><b>4500LM</b> - 60W</td> <td><b>6000LM</b> - 80W</td> <td><b>7500LM</b> - 100W</td> <td><b>9700LM</b> - 130W</td> </tr> </tbody> </table>		24"	30"	36"	42"	48"	Low Output	<b>1500LM</b> - 20W	<b>1900LM</b> - 25W	<b>2700LM</b> - 36W	<b>4500LM</b> - 60W	<b>6000LM</b> - 80W	Standard	<b>1900LM</b> - 25W	<b>2700LM</b> - 36W	<b>4500LM</b> - 60W	<b>6000LM</b> - 80W	<b>7500LM</b> - 100W	High Output	<b>2700LM</b> - 36W	<b>4500LM</b> - 60W	<b>6000LM</b> - 80W	<b>7500LM</b> - 100W	<b>9700LM</b> - 130W
		24"	30"	36"	42"	48"																			
	Low Output	<b>1500LM</b> - 20W	<b>1900LM</b> - 25W	<b>2700LM</b> - 36W	<b>4500LM</b> - 60W	<b>6000LM</b> - 80W																			
	Standard	<b>1900LM</b> - 25W	<b>2700LM</b> - 36W	<b>4500LM</b> - 60W	<b>6000LM</b> - 80W	<b>7500LM</b> - 100W																			
High Output	<b>2700LM</b> - 36W	<b>4500LM</b> - 60W	<b>6000LM</b> - 80W	<b>7500LM</b> - 100W	<b>9700LM</b> - 130W																				
<b>___LM</b> Custom Lumen Output*	Consult factory for outputs outside of this range. Total lumen output up to 30,000 lm delivered based on diameter. Maximum Output varies by diameter																								
RGB / RGBW Sources	<table border="1"> <thead> <tr> <th></th> <th>24"</th> <th>30"</th> <th>36"</th> <th>42"</th> <th>48"</th> </tr> </thead> <tbody> <tr> <td>Standard</td> <td><b>25WO</b></td> <td><b>36WO</b></td> <td><b>60WO</b></td> <td><b>80WO</b></td> <td><b>100WO</b></td> </tr> </tbody> </table>		24"	30"	36"	42"	48"	Standard	<b>25WO</b>	<b>36WO</b>	<b>60WO</b>	<b>80WO</b>	<b>100WO</b>												
	24"	30"	36"	42"	48"																				
Standard	<b>25WO</b>	<b>36WO</b>	<b>60WO</b>	<b>80WO</b>	<b>100WO</b>																				
<b>___WO</b> Custom Output*	Consult factory for outputs outside of this range. Total lumen output up to 250W delivered based on diameter. Maximum Output varies by diameter																								

Dimming Driver
<input type="text"/>
White Sources Static
<b>S010V10</b> Standard 0-10V, 10%
<b>S010V01</b> Standard 0-10V, 1%, (dim to off)
<b>EDALI01</b> DALI control, 0.1%
<b>LECO01</b> Lutron Ecosystem, 1% SOFTB, (Soft-on, Fade-to-Black)
White Sources Tunable
<b>TW010V</b> Tunable White 2-Channel 0-10V
<b>TWDALI</b> Tunable White DALI control
<b>LECOTW</b> Lutron Ecosystem, 1%, Tunable White - T series
RGB / RGBW Sources
<b>EDMX01</b> DMX, 0.1%
<b>CUSDD</b> Other Driver Options Consult factory for availability of other driver options (including POE and Camera Safe)

# NORTHERN FROST QUATTRO

## PENDANT



### WRITTEN SPECIFICATIONS

#### LED System

- LED Circuitry is applied to minimum 0.0625" thick aluminum modules for excellent heat management. Modules are removeable for maintenance and are 90% recyclable.
- LEDs are 90+CRI, 3 SDCM.
- 36" x 12" fixture performance at 3000K 90CRI, 6896lms, 91.04 Watts, 76 LPW Delivered (with Fabric Free Shade).
- Full Spectrum, efficiency is 68 lm/W; CRI is 96+ with all R1-R15 values at 90 or higher and Rf (fidelity) of 95, Rg (gamut) of 105.
- Tunable White, efficiency is 70 lm/W; Delivered lumens will stay consistent across full CCT range.
- RGBW maximum individual channel (Red, Green, Blue, or White) is 25% of total watts specified. Lumen outputs per channel per watt as follows:  
White only: 74 lm/W                      Red only: 20 lm/W  
Green only: 61 lm/W                      Blue only: 12 lm/W  
All four channels max: 37 lm/W (approx 9000K CCT)

#### Construction

- Side Diffuser: Wet Laminated PETG (polyethylene terephthalate glycol-modified); which is a variant of PET used in water bottles everywhere. Designed to be used in environments where high levels of disinfectant products are used. It is also has a much higher impact resistance than Acrylic.
  - Barbican uses a proprietary diffusion formula PETG which in conjunction with the LED system provides excellent efficiencies of up to 95 lumens per watt at 3000K 90+ CRI.

- Metal construction to be aluminum minimum 0.0625" thickness. Fasteners are to be stainless steel.
- Cable grippers are nickel plated solid brass and stainless steel. Cables are 1/16" stainless steel.
- Canopies and driver housings are minimum 0.0625" aluminum.
- Barbican's Drum fixtures comes standard with the shade and light engine fully enclosed to protect from ingress of dirt, dust and other site conditions.

#### Mounting

- Power cables are low voltage from the canopy drivers.
- Drivers:** All drivers are mounted in the canopy. Standard drivers include 0-10V 10% dimming 120/277V with Power Factor of >.9. Barbican works with most Control and Driver manufacturers including POE and can easily modify the driver housings for special control gear. Fixtures over 96W may require more than one driver per fixture.
- Emergency fixtures are supplied with leads and KO for UL924 relays (by others). Battery back up will usually only drive one or two of the cores in larger fixtures to maintain the 90 minute requirement. Maximum distance driver to fixture 15 feet.
- Labels:** ETL US and Canada, CE Europe and Middle East (Dry, Damp indoor use only)
- Finish:** Polyester Powder Coated standard, Hand Brushed Aluminum
- Lumen Maintenance:** Reported L90 > 10,000hrs, Calculated > 60,000hrs (TM-21)
- Warranty:** 5 years limited at 25 Celsius. Contact Barbican for additional information.

### LABELS



# NORTHERN FROST QUATTRO

PENDANT



## LAMINATED FABRIC Colour Samples



# NORTHERN FROST QUATTRO

PENDANT



## APPLICATIONS



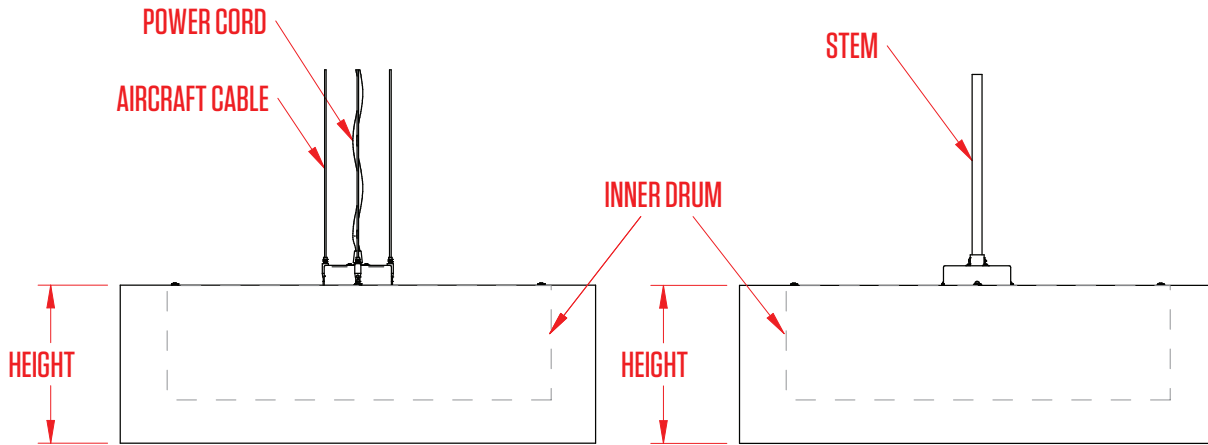
# NORTHERN FROST QUATTRO

PENDANT



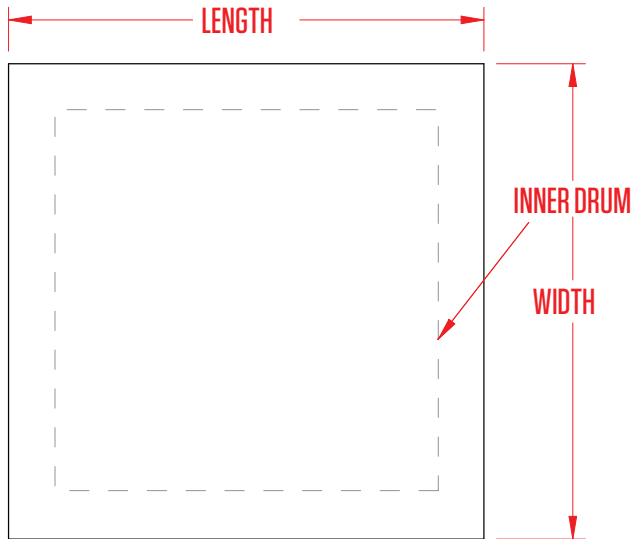
## SPECIFICATION DETAILS

### Line Drawing



Standard cable length provided is 120".  
Cables are field adjustable shorter during installation.  
*Contact factory for alternate length.*

Standard stem length provided is 48".  
Stem is field cut-able shorter during installation.  
*Contact factory for alternate length.*



LENGTH = WIDTH

# NORTHERN FROST QUATTRO

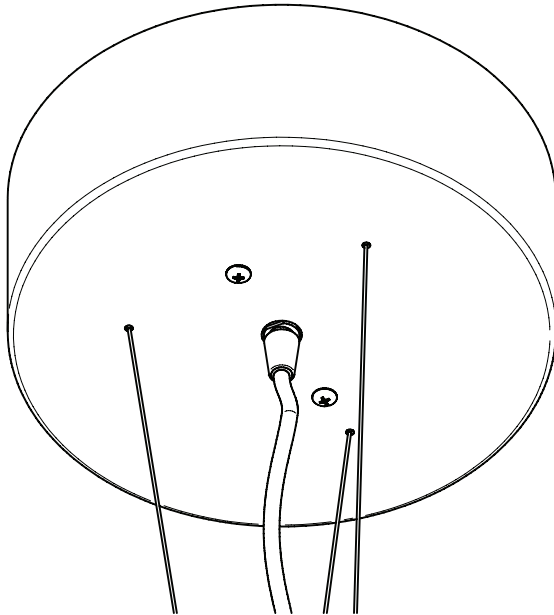
PENDANT



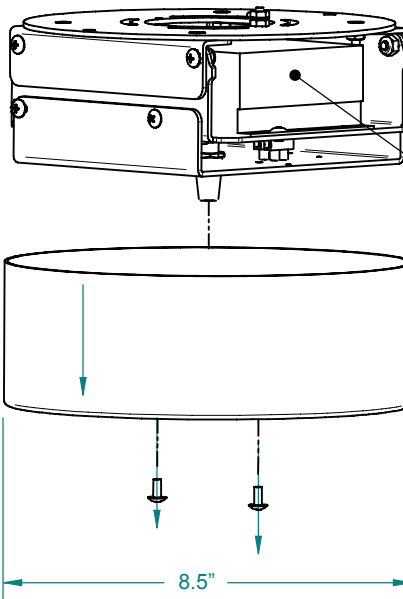
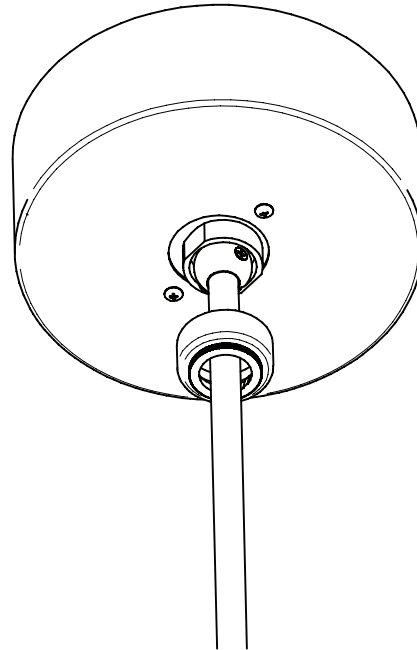
## SPECIFICATION DETAILS (cont.)

### Surface Circular Canopy (SCDL)

Aircraft Cable



Stem



Driver configuration may vary based on order

# NORTHERN FROST QUATTRO

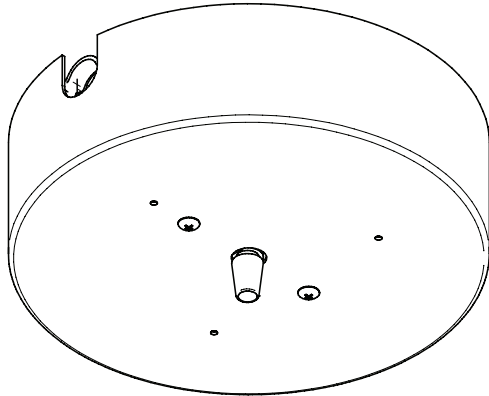
PENDANT



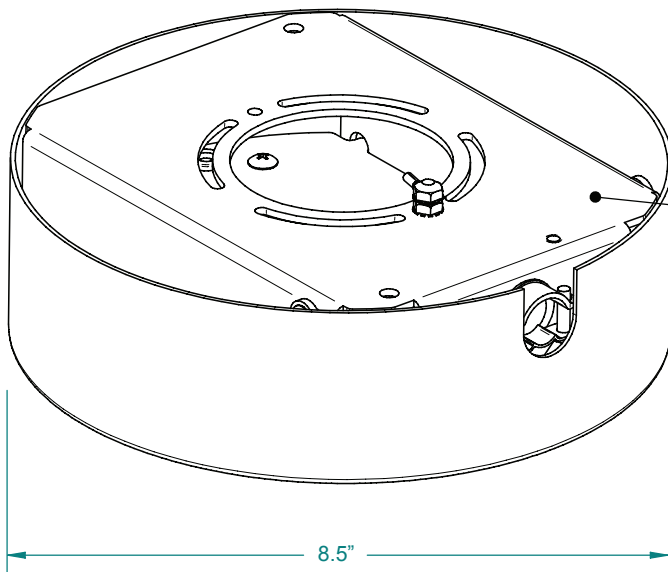
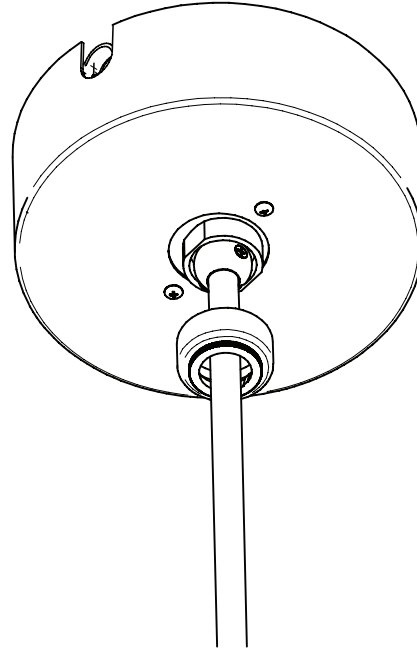
## SPECIFICATION DETAILS (cont.)

### Surface Circular Side Entry Canopy (SSDL)

Aircraft Cable



Stem



Driver configuration may vary based on order.

To be mounted directly to hard deck.

Armored/BX cable side entry.