

Jut Box



The Jut Box utilizes the full range of Barbican finishes in its construction giving the design team a massive compliment of materials and colors to utilize. Pick from a variety of standard drop depths to create a unique ceiling that enhances an area while staying in budget. Good efficiency is a feature of the Jut Box as well with all dimming and LED color options available.

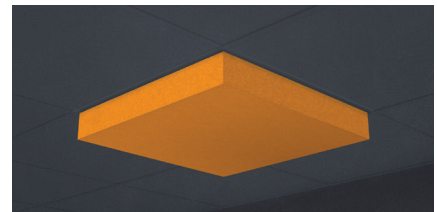
RELATED PRODUCT



JUT FOM OWTI



JUT FOM INNI



JUT ACOUSTIC OWTI

AVAILABLE FINISH OPTIONS

Laminated Fabric



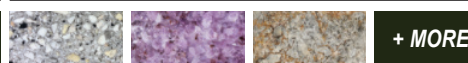
Printed Pattern



Natural Wood



Natural Stone



Artisan Collection



Jut Box



FIXTURE SPECIFICATION

Fixture	T-Bar Size	Width	Length	Diffuser Height	Shade Finish Category*	Shade Finish Selection*
20-02		24W				
20-02 Jut Box	15TS 15/16" 9TS 9/16" <i>Please choose the size t-bar used for this project to ensure proper fixture dimensions/fitment</i>	24W 24"	24L 24" 48L 48"	2DH 2" 4DH 4" 6DH 6" CUSDH Custom	LF Laminated Fabric PS Printed Pattern PW Natural Wood PSF Natural Stone PSASP Sarah Phelps** PSAKC Kaleidoscope** PSAAP Aleta Pippin** CP Custom Printing <i>Consult factory</i>	Finish Name <i>* See following pages for examples/names of all available finishes</i>

* See following pages for examples/names of some available finishes.
 ** Part of Barbican's [Artisan Collection](#)

LIGHTING SPECIFICATION

Mounting	Housing Height	Driver Location	Voltage	Color Temperature
RAM		related to housing height	UNV	
RAM Recessed ATC	4HH 4" (ADDL) 6HH 6" (FMDL)	ADDL ACT Remote Driver INDL Integral Driver RDDL Remote Driver	UNV 120/277 Volts <i>Consult factory for other voltages</i>	White Sources 2700K 2700K 3000K 3000K 3500K 3500K 4000K 4000K 3000FS Full Spectrum 3000K 3500FS Full Spectrum 3500K 2765K Tunable White* 2700K - 6500K CUSK Custom CT* RGB / RGBW Sources RGBW RGBW* <i>*Consult factory for CT options in this column</i> Full spectrum .95 reduced output contact factory

Color Rendering	Delivered Output	Dimming Driver
90CRI		
90CRI 90+ CRI	White Sources Static/Tunable 1300LM 1300LM / 13W 2640LM 2640LM / 25W 4400LM 4400LM / 42W 5280LM 5280LM / 50W* <i>*24W x 48L version only</i> CUSLM Custom Lumen Output* 1300 - 8800 lumens Consult factory for outputs outside of this range Delivered Lumens 3000K, 90CRI RGB / RGBW Sources 13W 13W 25W 25W 42W 442W 50W 50W* <i>*24W x 48L version only</i> CUSW Custom Lumen Output* Consult factory for delivered lumens and additional information	White Sources Static S010V10 Standard 0-10V, 10% S010V01 Standard 0-10V, 1%, (dim to off) EDALI01 DALI control, 0.1% LECO01 Lutron Ecosystem, 1% SOFTB, (Soft-on, Fade-to-Black) White Sources Tunable TW010V Tunable White 2-Channel 0-10V TWDALI Tunable White DALI control LECOTW Lutron Ecosystem, 1%, Tunable White - T series RGB / RGBW Sources EDMX01 DMX, 0.1% CUSDD Other Driver Options Consult factory for availability of other driver options (including POE and Camera Safe)

WRITTEN SPECIFICATIONS

LED System

- LED Circuitry is applied to minimum 0.0625" thick aluminum trays for excellent heat management and to provide even illumination.
- LEDs are 90+CRI, 3 SDCM.
- **Static White**, 24" x 24" fixture performance at 3000K 90CRI, 4401lms, 41.90Watts, 105 LPW delivered.
- **Full Spectrum**, efficiency is 88 lm/W; CRI is 96+ with all R1-R15 values at 90 or higher and Rf (fidelity) of 95, Rg (gamut) of 105.
- **Tunable White**, efficiency is 90 lm/W; Delivered lumens per foot is for both channels simultaneously at full output (maximum per individual channel is approximately 50% of total delivered lumens).
- **RGBW** maximum individual channel (Red, Green, Blue, or White) is 25% of total watts specified. Lumen outputs per channel per watt as follows:
White only: 84 lm/W Green only: 71 lm/W
Red only: 24 lm/W Blue only: 14 lm/W
All four channels max: 44 lm/W (approx 9000K CCT)

Construction

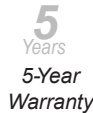
- Diffuser: 0.120" Extruded PETG (polyethylene terephthalate glycol-modified); which is a variant of PET used in water bottles everywhere. Suitable for environments where high levels of disinfectant products are used. It also has a much higher impact resistance than Acrylic.

- Barbican uses a proprietary diffusion formula PETG which in conjunction with the LED system provides excellent efficiencies.
 - Laminated Fabric options are fully encapsulated using a wet lamination process, making these fixtures suitable for wipe down applications.
- Metal construction to be aluminum minimum 0.0625" thickness. Fasteners are to be stainless steel.

Mounting

- **Drivers:** Drivers are mounted remote or mounted on top of the fixture. Standard drivers include 0-10V 10% dimming 120/277V with Power Factor of >.9. Barbican works with most Control and Driver manufacturers including POE and can easily modify the driver housings for special control gear. Fixtures over 96W may require more than one driver per fixture. Remote driver distances up to 50 ft. Contact factory for longer lengths.
- Emergency fixtures are supplied with leads and KO for UL924 relays (by others). Battery back up will usually only drive one or two of the cores in larger fixtures to maintain the 90 minute requirement. Maximum distance driver to fixture 15 feet test switched. Consult factory for special requirements.
- **Labels:** ETL US and Canada, CE Europe and Middle East (Dry, Damp indoor use only)
- **Finish:** Polyester Powder Coated standard
- **Lumen Maintenance:** Reported L90 > 10,000hrs, Calculated > 60,000hrs (TM-21)
- **Warranty:** 5 years limited at 25 Celsius. Contact Barbican for additional information.

LABELS



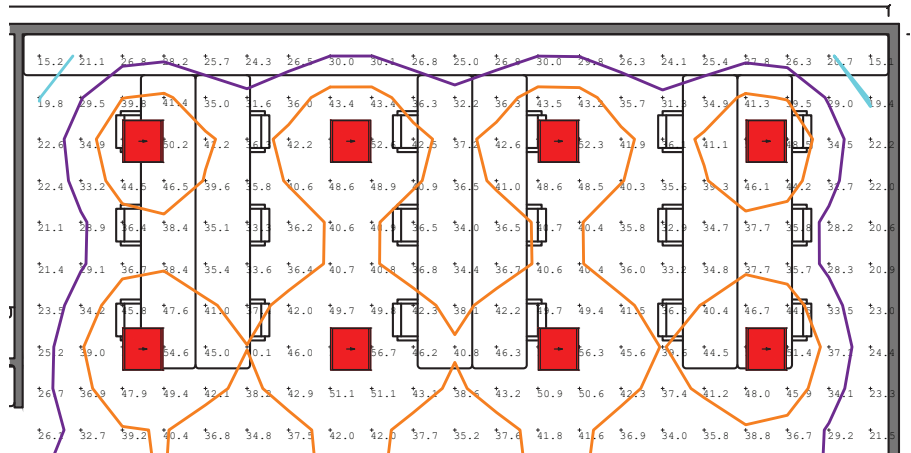
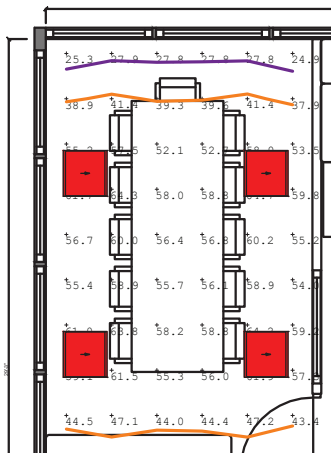
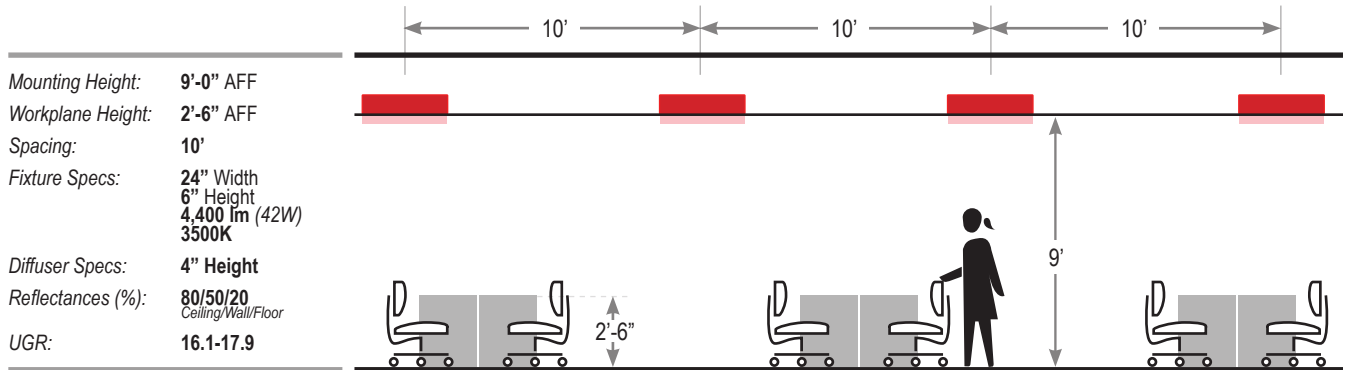
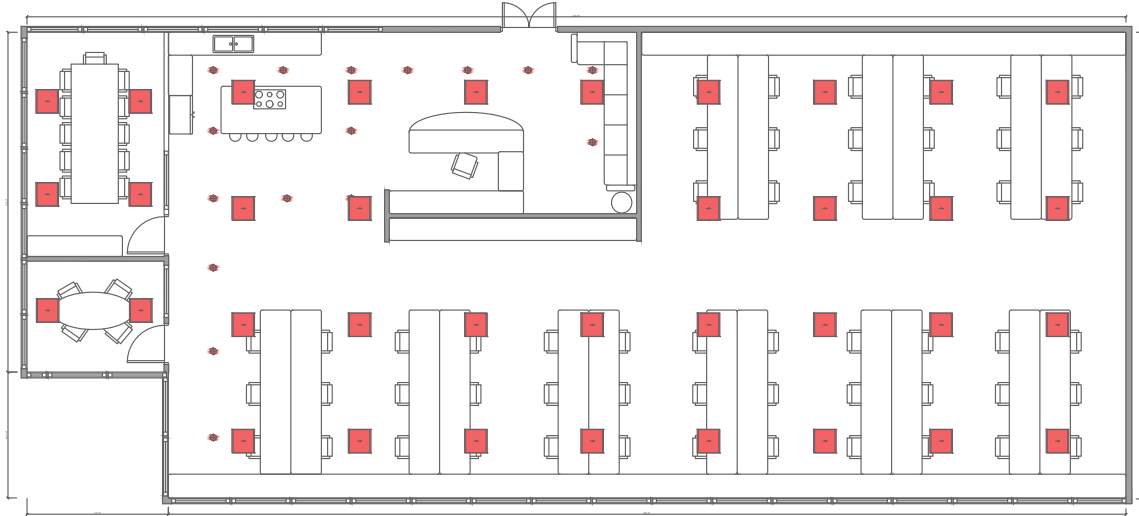
Jut Box

LAMINATED FABRIC Colour Samples



Jut Box

EXAMPLE LAYOUT

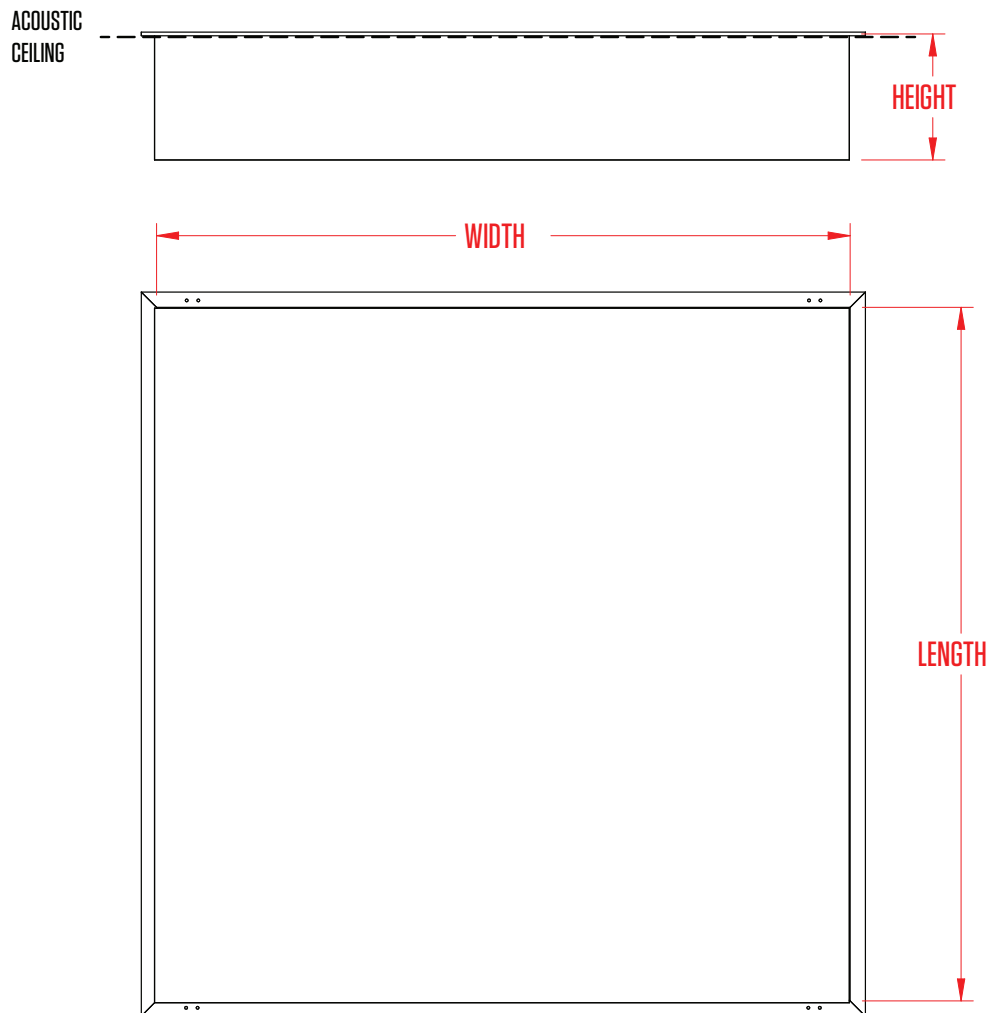


APPLICATIONS



Jut Box

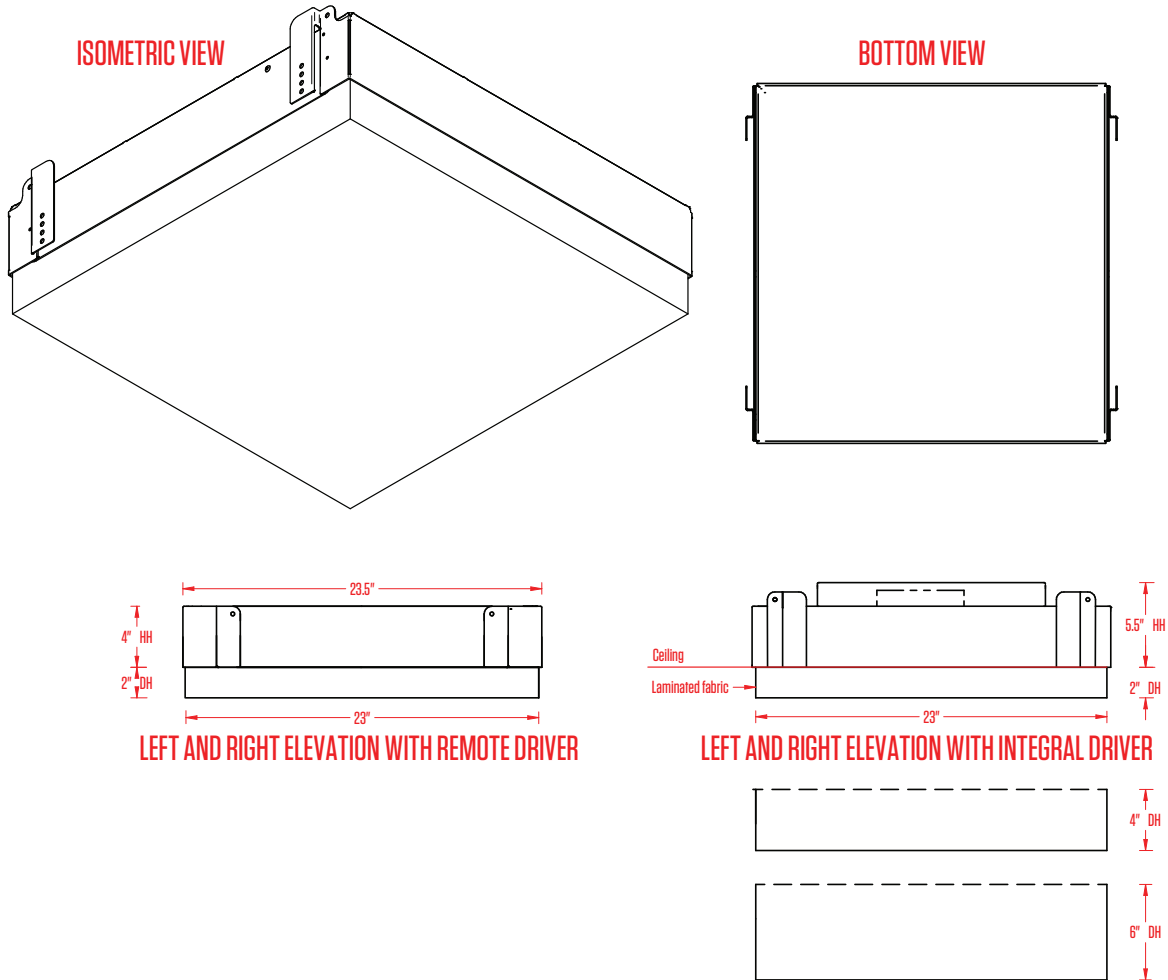
Line Drawing - Unlit



Jut Box

FIXTURE CONFIGURATIONS

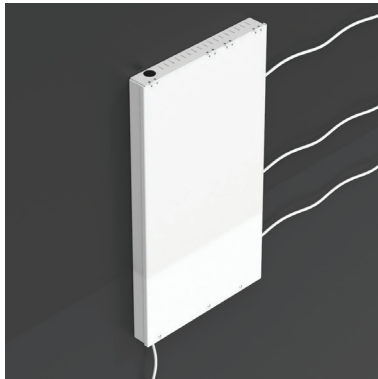
Line Drawing - Lit



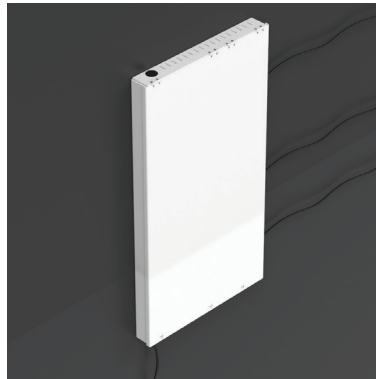
Jut Box

SPECIFICATION DETAILS (cont.)

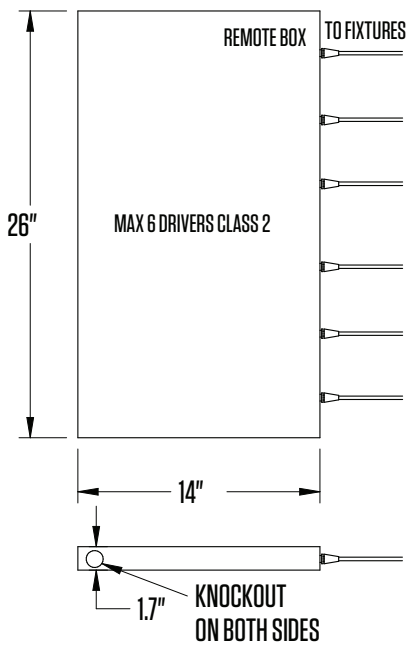
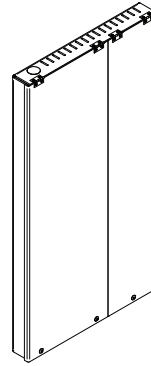
Remote Driver Housing (RDDL)



White Power Cord



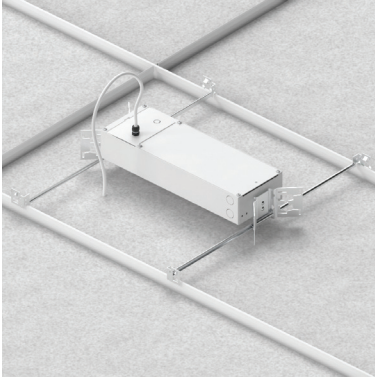
Black Power Cord



Power Supply Box Dimensions

SPECIFICATION DETAILS (cont.)

ACT Remote Driver (ADDL)



Driver Housing

