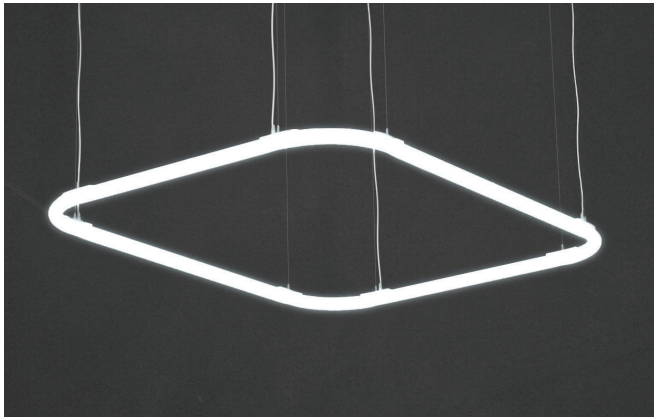


HPC SOLO SQUARE / RECTANGLE

ROUNDED CORNER PRECONFIGURED

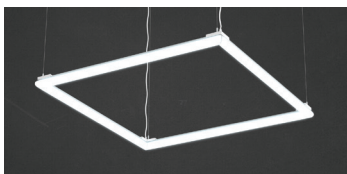


An even, continuous, tubular, architectural light source with a minimal profile, providing evenly diffused light from a single LED source at the top of the tube. Perfectly designed for spaces requiring diffused light that provides soft and even illumination on walls, ceilings, and work surfaces. The minimalist size of the profile creates visual interest without overwhelming a space. Subtle illuminated joints maintain the continuous look with minimal distraction.

The customizable **HPC Solo** system provides many configurations to fit any space including standard configurations for straight, curved, or welded continuous runs, as well as a free form design possibilities with horizontal and vertical change of direction possible. All illuminated in our slimmest 2" dia profile, HPC Solo will ensure your space feels considered and beautiful.



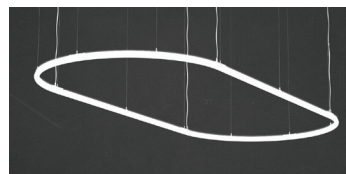
AVAILABLE CONFIGURATIONS



HPC Solo Preconfigured Square/
Rectangle Mitred Corners

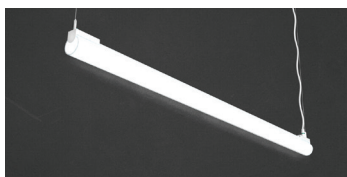


HPC Solo Preconfigured Circle

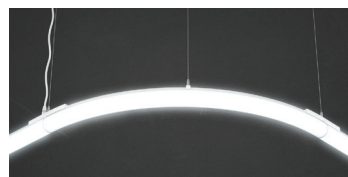


HPC Solo Preconfigured Racetrack

RELATED PRODUCT



HPC Solo Straight



HPC Solo Curve



HPC3

AVAILABLE FINISH OPTIONS

Metal



HPC SOLO SQUARE / RECTANGLE

ROUNDED CORNER PRECONFIGURED



SPECIFICATION

Fixture	Diameter	Length 1	Length 2	Mounting	Driver Location
26-PC4R	2D	<input type="text"/>	<input type="text"/>	ACM	<input type="text"/>
26-PC4R HPC Solo Preconfigured Square/Rectangle <i>Rounded Corners use 12" radius curve for 2"D, and 24" radius curve for 4"D</i>	2D 2"	48L1 48" 96L1 96"	48L2 48" 96L2 96"	ACM Aircraft Cable	SCDL Surface Circular Canopy
		60L1 60" 120L1 120"	60L2 60" 120L2 120"		SSDL Surface Circular Side Entry
	72L1 72" 144L1 144"	72L21 72" 144L2 144"	SRDL Surface Rectangular Canopy		
	4D 4"	72L1 72" 120L1 120"	72L2 72" 120L2 120"		SEDL Surface Rectangular Side Entry
		96L1 96" 144L1 144"	96L2 96" 144L2 144"	RADL Remote Acoustic Ceiling	
		CUSL1 Custom length	CUSL2 Custom length	RHDL Remote Hard Ceiling	
				ADDL ACT Remote Driver	
				CUSDL Custom Driver	

All Dimensions based on Centre Line

Voltage	Canopy Finish	End Cap Finish	Power Cable Finish	Color Temperature
UNV	<input type="text"/>	<input type="text"/>	<input type="text"/>	<input type="text"/>
UNV 120/277 Volts <i>Consult factory for other voltages</i>	WCF White BCF Black SCF Silver RAL Custom <i>RAL North America; Consult factory</i>	WEC White BEC Black SEC Silver RAL Custom <i>RAL North America; Consult factory</i>	WPC White BPC Black	<i>White Sources</i> 2700K 2700K 3000K 3000K 3500K 3500K 4000K 4000K 3000FS Full Spectrum 3000K (extended delivery) 3500FS Full Spectrum 3500K (extended delivery) <i>Full spectrum .95 reduced output contact factory</i> CUSK Custom CT* <i>Consult factory for Tunable White, RGB(W)</i>

Color Rendering	Delivered Output	Dimming Driver
90CRI	<input type="text"/>	<input type="text"/>
90CRI 90+CRI <i>Full Spectrum option: Min 95+ CRI Min R1-R15 90+ CRI Rf 95 Rg 105</i>	<i>White Sources Static/Tunable</i> 0400LM Standard 400 lm/ft (4W/ft) 0600LM Standard 600 lm/ft (6W/ft) 0800LM Standard 800 lm/ft (8W/ft) CUSLM Custom Lumen Output 200lm/ft - 800lm/ft; Consult factory for outputs outside of this range	<i>White Sources Static</i> S010V01 Standard 0-10V, 1%, (soft on, dim to off) CUSDD Other Driver Options Consult factory for availability of other driver options (including POE and Camera Safe)

HPC SOLO SQUARE / RECTANGLE

ROUNDED CORNER PRECONFIGURED



WRITTEN SPECIFICATIONS

LED System

- LED Circuitry is applied to minimum 0.0625" thick aluminum extruded cores for excellent heat management.
- LEDs are 90+CRI, 3 SDCM.
- 4 foot fixture performance at 3000K, 90 CRI, 2435 lumens, 25.64 Watts, 95 LPW delivered

Construction

- Diffuser: 0.120" Extruded PETG (polyethylene terephthalate glycol-modified); which is a variant of PET used in water bottles everywhere. Designed to be used in environments where high levels of disinfectant products are used. It is also has a much higher impact resistance than Acrylic and is available up to 20 feet in single lengths.
 - Barbican uses a proprietary diffusion formula PETG which in conjunction with the LED system provides excellent efficiencies of up to 115 lumens per watt at 3000K 90+ CRI.
- Metal construction to be aluminum minimum 0.0625" thickness. Fasteners are to be stainless steel.
- Cable grippers are nickel plated solid brass and stainless steel. Cables are 1/16" stainless steel.
- Canopies and driver housings are minimum 0.0625" aluminum.

Mounting

- Pendant cable mounts are nickel plated solid brass and are supplied with escutcheon plates for through surface power cables. Power cables are low voltage from the canopy/remote mounted drivers.
- Drivers: All drivers are mounted remote from the fixture. Standard drivers include 0-10V 10% dimming 120/277V with Power Factor of >.9. Barbican works with most Control and Driver manufacturers including POE and can easily modify the driver housings for special control gear. Fixtures over 96W may require more than one driver per fixture.
- Emergency fixtures are supplied with leads and KO for UL924 relays (by others). Battery back up will usually only drive one or two of the cores in larger fixtures to maintain the 90 minute requirement. Maximum distance driver to fixture 15 feet.
- Labels: ETL US and Canada, CE Europe and Middle East (Dry, Damp indoor use only)
- Finish: Polyester Powder Coated standard.
- Lumen Maintenance: Reported L90 > 10,000hrs, Calculated > 60,000hrs (TM-21)
- Warranty: 5 years limited at 25 Celsius. Contact Barbican for additional information.

LABELS

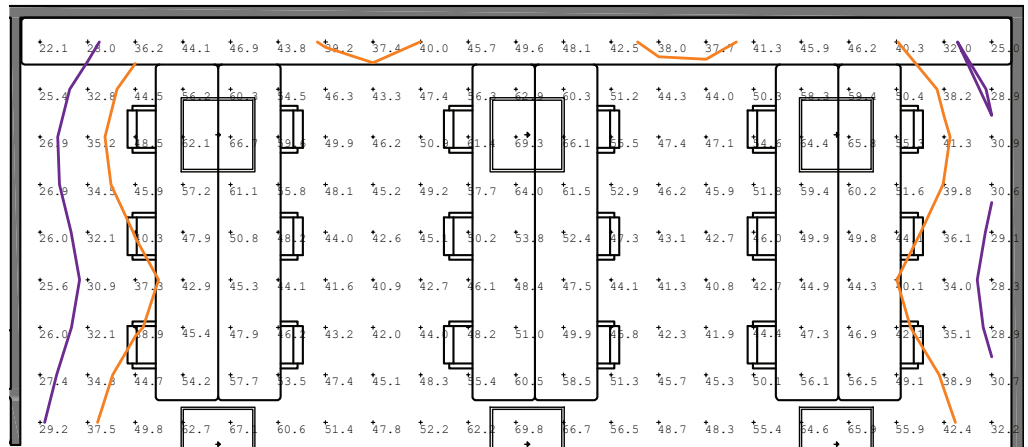
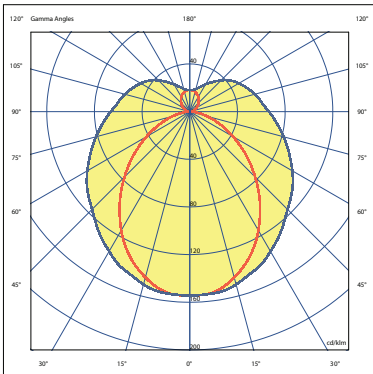
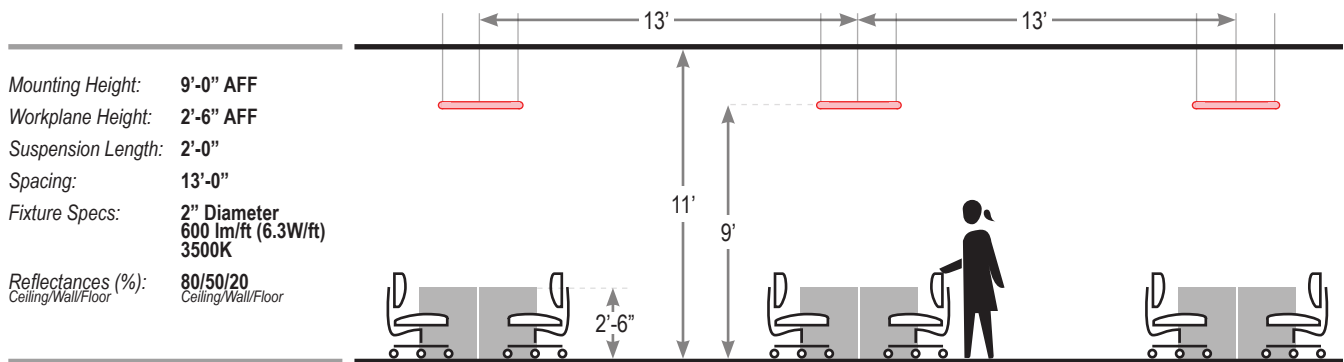
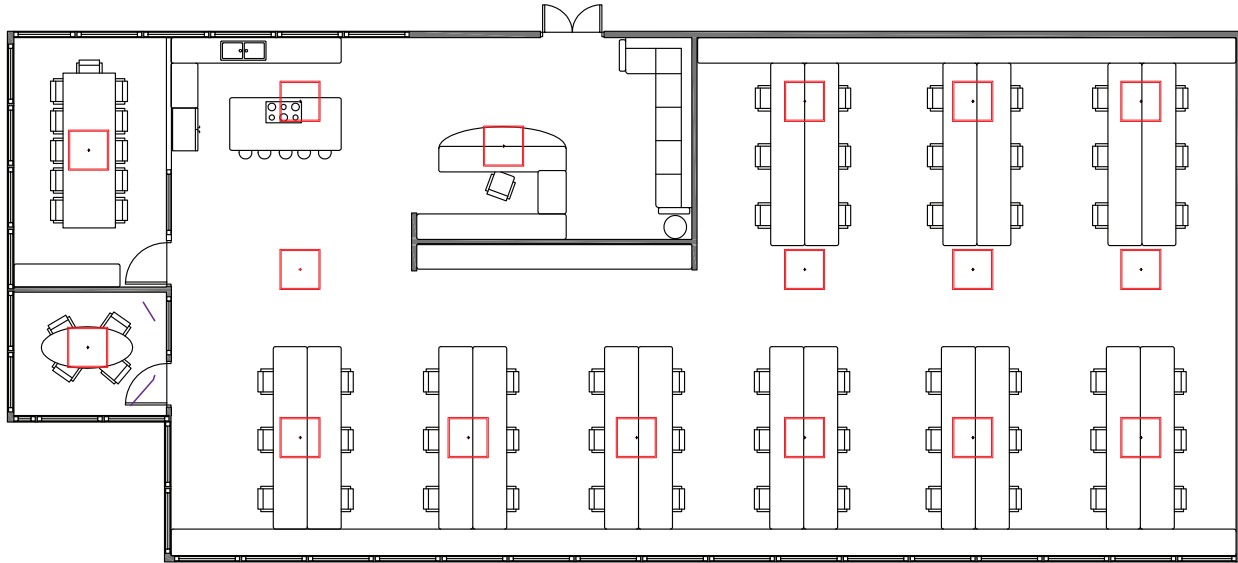


HPC SOLO SQUARE / RECTANGLE

ROUNDED CORNER PRECONFIGURED



EXAMPLE LAYOUT (1/2) Linear



HPC SOLO SQUARE / RECTANGLE

ROUNDED CORNER PRECONFIGURED



APPLICATIONS from Layout

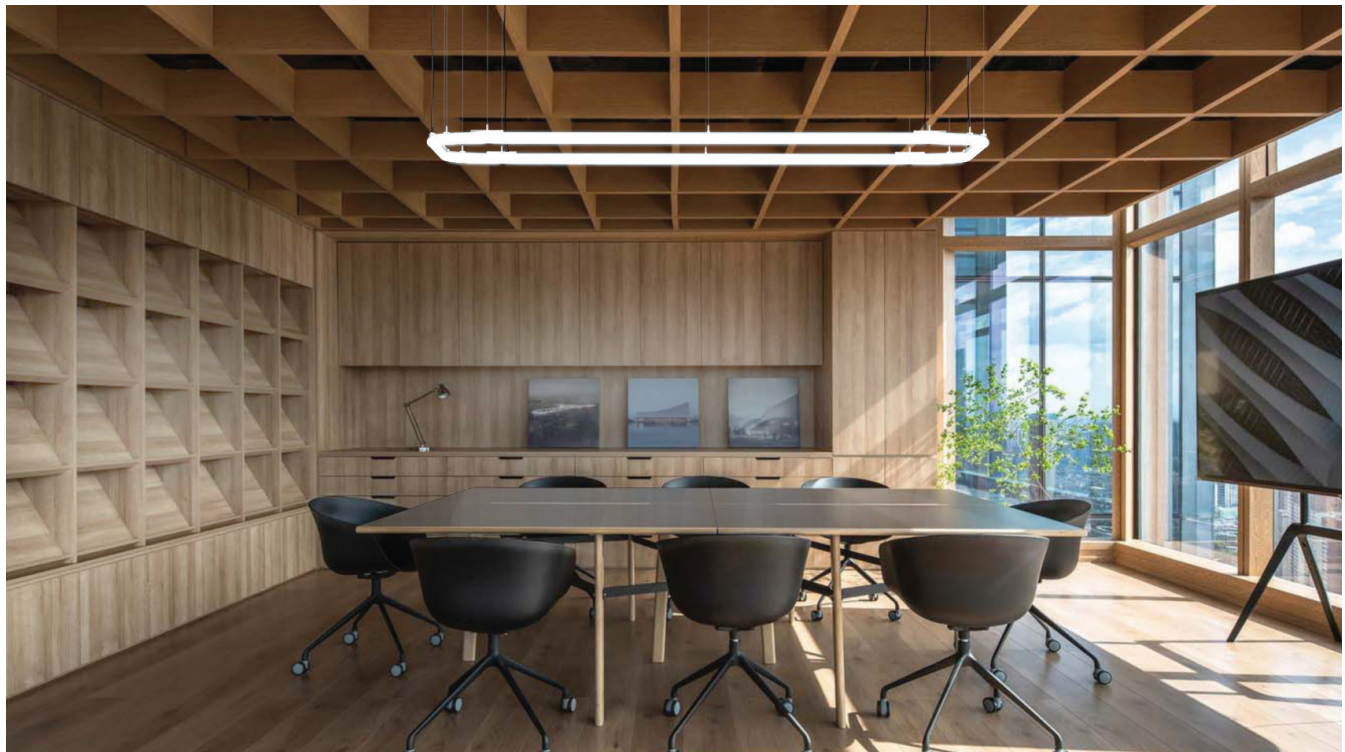


HPC SOLO SQUARE / RECTANGLE

ROUNDED CORNER PRECONFIGURED



APPLICATIONS Inspiration

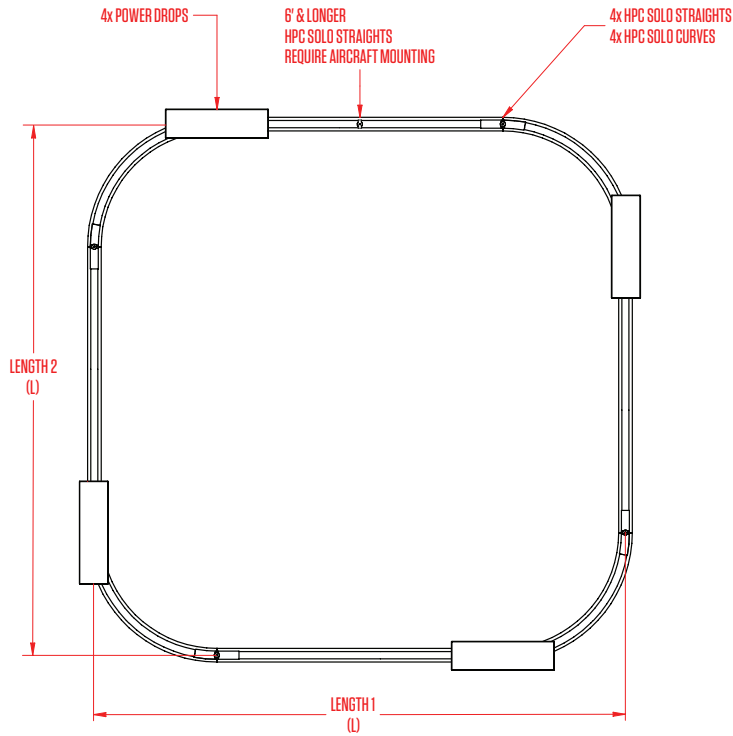


HPC SOLO SQUARE / RECTANGLE

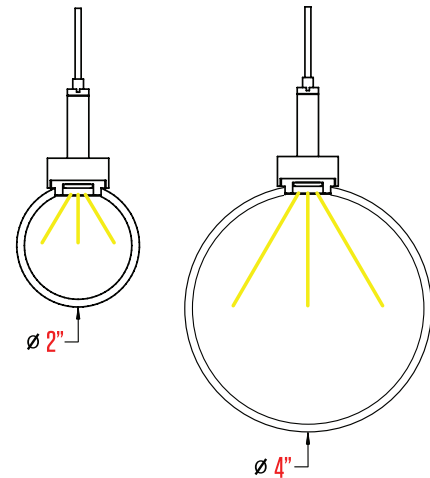
ROUNDED CORNER PRECONFIGURED



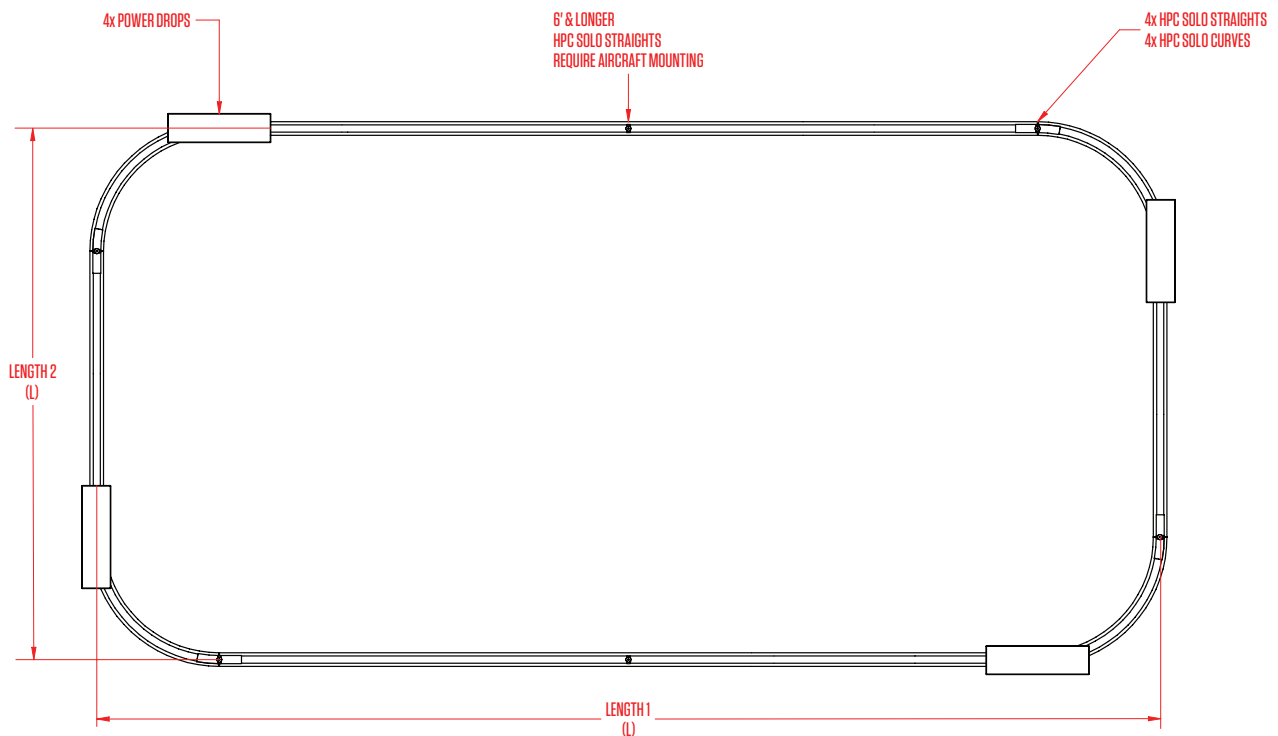
FIXTURE CONFIGURATIONS Line Drawings



Cross Sections



Rounded Corners:
12" radius curve for 2"D tube
24" radius curve for 4"D tube



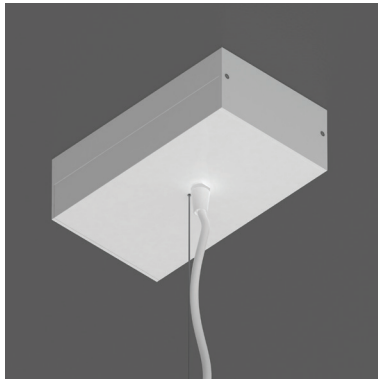
HPC SOLO SQUARE / RECTANGLE

ROUNDED CORNER PRECONFIGURED



SPECIFICATION DETAILS (cont.)

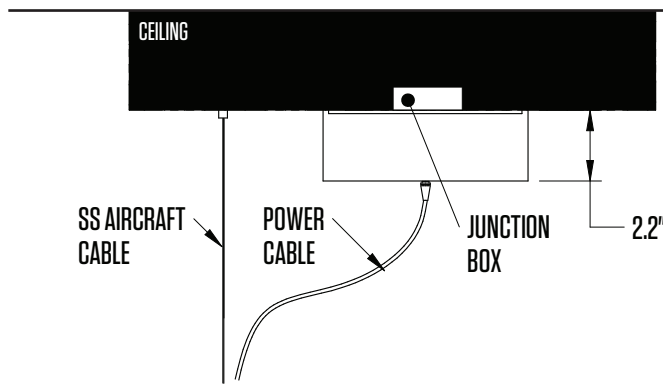
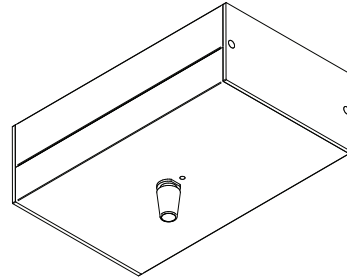
Surface Rectangular Canopy (SRDL)



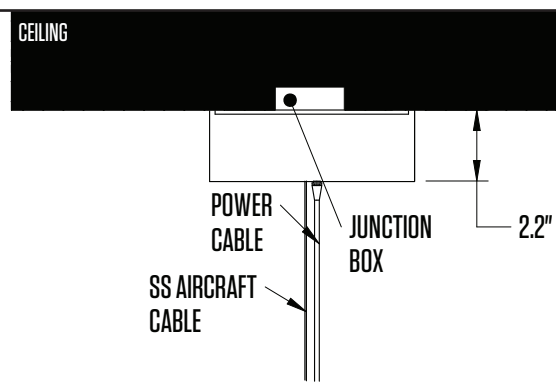
White Power Cord



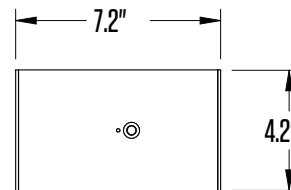
Black Power Cord



Offset Surface Ceiling Location Mounting Side View



Surface Ceiling Location Mounting Side View



Surface Ceiling Location Mounting Bottom View

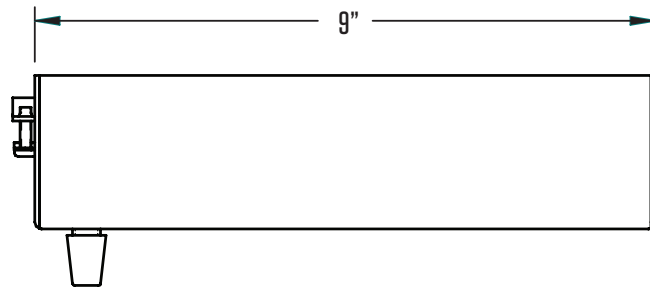
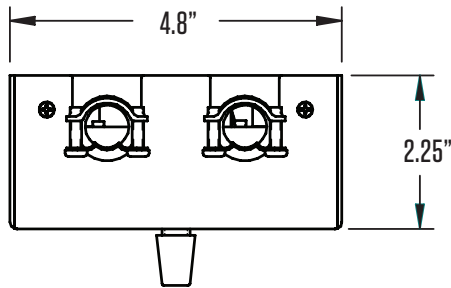
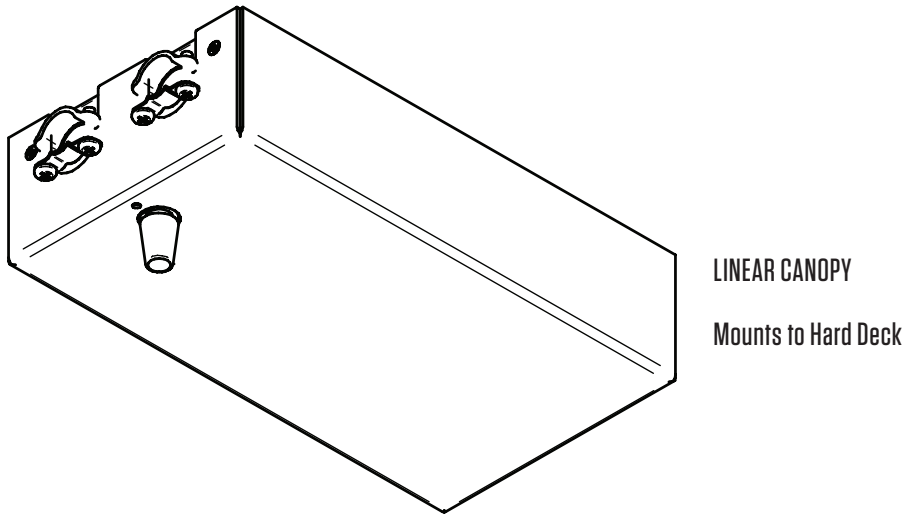
HPC SOLO SQUARE / RECTANGLE

ROUNDED CORNER PRECONFIGURED



SPECIFICATION DETAILS (cont.)

Surface Rectangular Side Entry (SEDL)



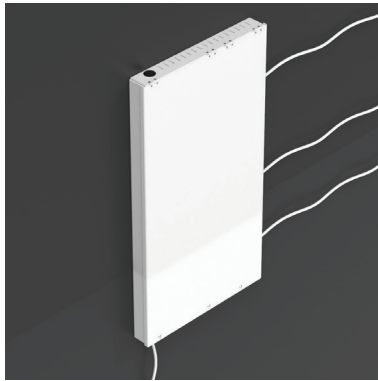
HPC SOLO SQUARE / RECTANGLE

ROUNDED CORNER PRECONFIGURED

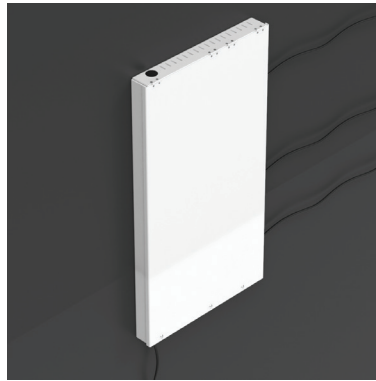


SPECIFICATION DETAILS (cont.)

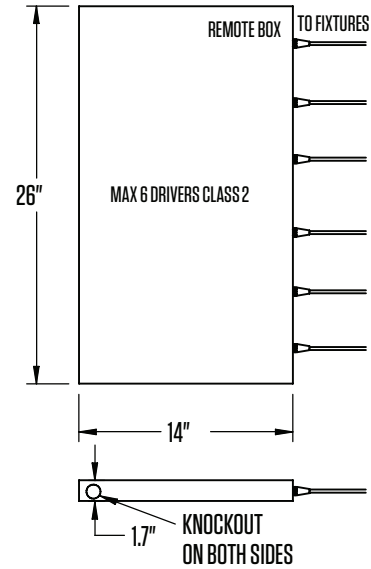
Remote Acoustic Ceiling Driver / Remote Hard Ceiling Driver (RADL / RHDL)



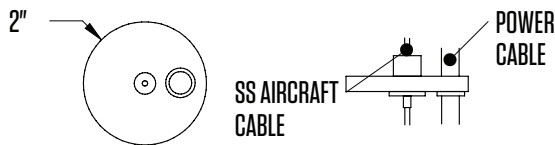
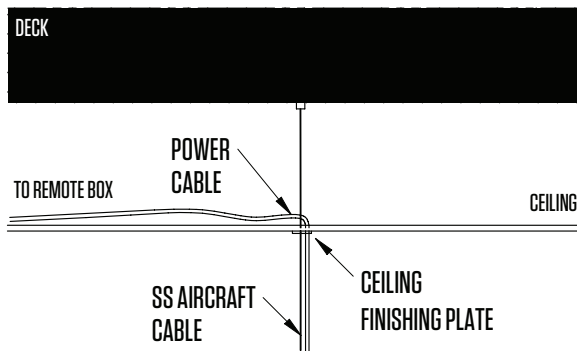
White Power Cord



Black Power Cord

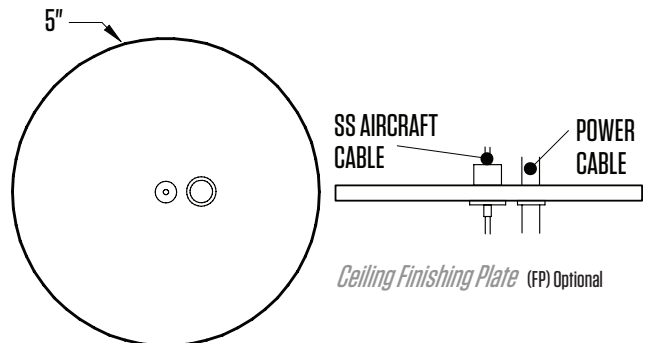
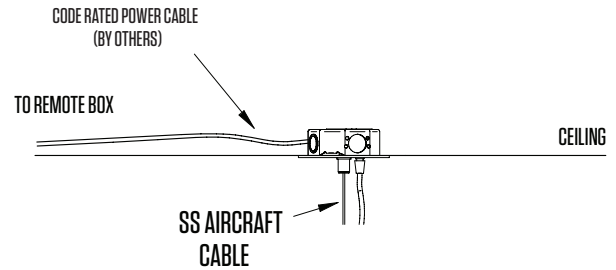


Non Plenum Rated Power Supply Box Mounting Side View (RADL)



Ceiling Finishing Plate (FP) Optional

Solid Ceiling Power or Plenum Rated Supply Box Mounting Side View (RHDL)



Ceiling Finishing Plate (FP) Optional

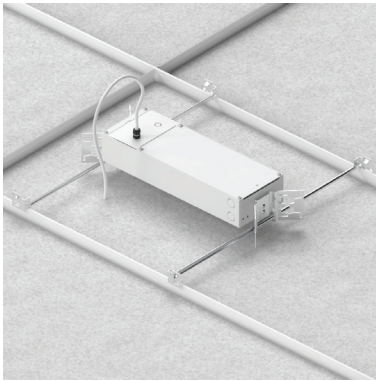
HPC SOLO SQUARE / RECTANGLE

ROUNDED CORNER PRECONFIGURED

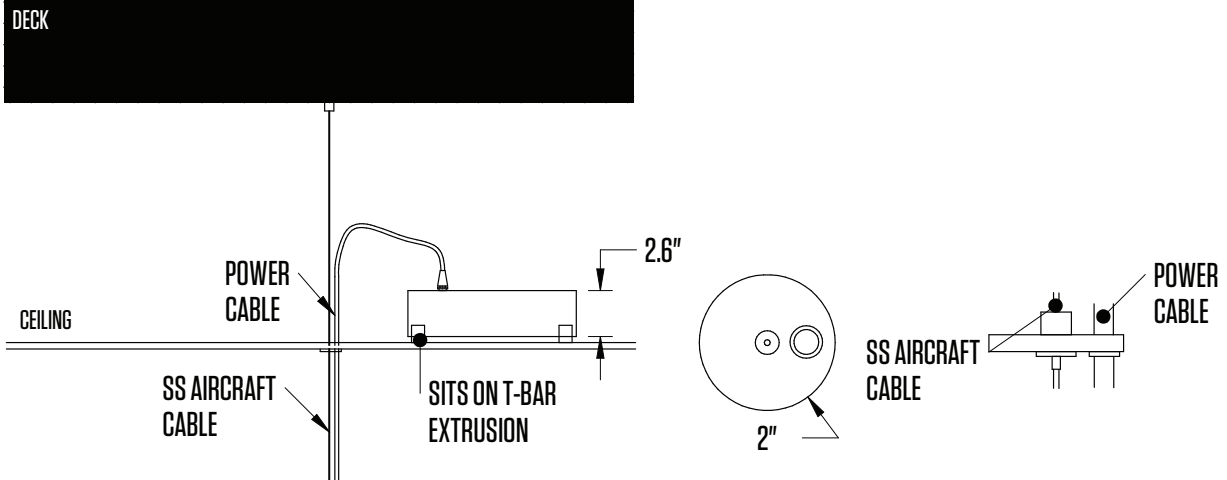
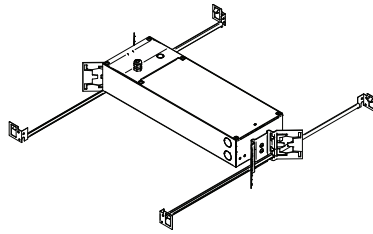


SPECIFICATION DETAILS (cont.)

ACT Remote Driver (ADDL)

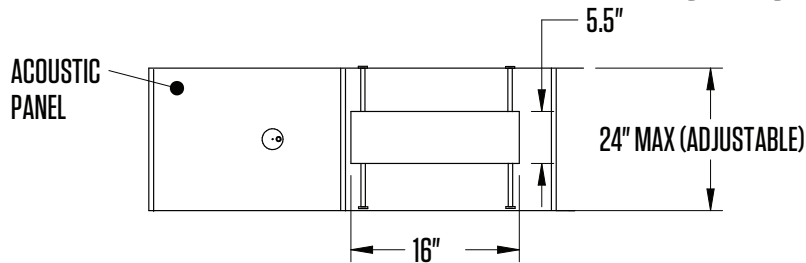


Driver Housing



Above Ceiling Location Mounting Side View

Ceiling Finishing Plate (FP) Optional



Above Ceiling Location Mounting Top View