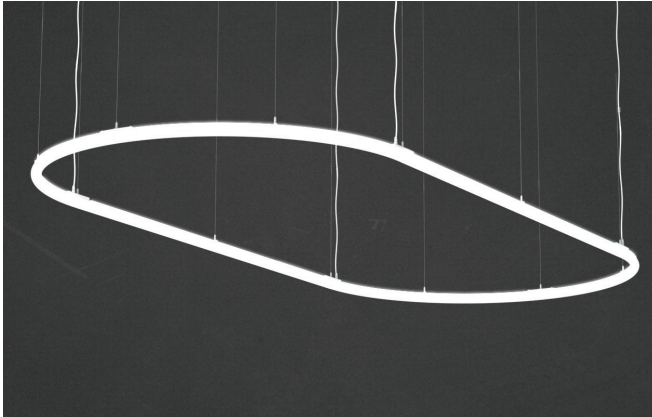


HPC SOLO RACETRACK

PRECONFIGURED



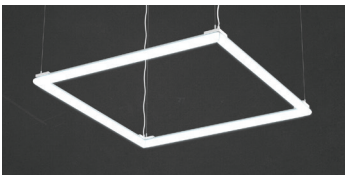
An even, continuous, tubular, architectural light source with a minimal profile, providing evenly diffused light from a single LED source at the top of the tube. Perfectly designed for spaces requiring diffused light that provides soft and even illumination on walls, ceilings, and work surfaces. The minimalist size of the profile creates visual interest without overwhelming a space. Subtle illuminated joints maintain the continuous look with minimal distraction.

The customizable **HPC Solo** system provides many configurations to fit any space including standard configurations for straight, curved, or welded continuous runs, as well as a free form design possibilities with horizontal and vertical change of direction possible. All illuminated in our slimmest 2" dia profile, HPC Solo will ensure your space feels considered and beautiful.

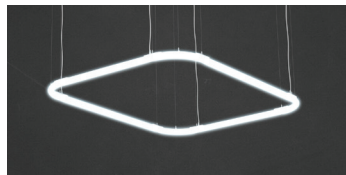
HPC Solo Preconfigured Racetrack comes standard in various radius and segment combinations.



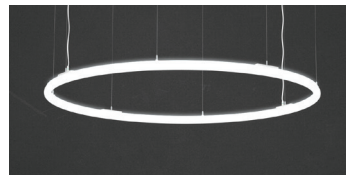
AVAILABLE CONFIGURATIONS / ADAPTORS / ACCESSORIES



HPC Solo Preconfigured Square/
Rectangle Mitred Corners

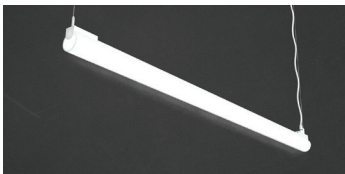


HPC Solo Preconfigured Square/
Rectangle Rounded Corners



HPC Solo Preconfigured Circle

RELATED PRODUCT



HPC Solo Straight



HPC Solo Curve



HPC3

AVAILABLE FINISH OPTIONS

Metal



Barbican Lighting - HQ
479 Central Avenue
Fort Erie, ON, CA, L2A 3T9

Barbican Lighting - USA
266 Elmwood Avenue, Unit #386
Buffalo, NY, 14222

www.barbican.ca/lighting | 1.800.663.5781 | sales@barbican.ca

HPC SOLO RACETRACK

PRECONFIGURED



SPECIFICATION

Fixture	Diameter	Dimensions				
26-PCR	<input type="text"/>	<input type="text"/>	<i>W= end diameter, L= overall length, Centre Line</i>			
26-PCR HPC SOLO Preconfigured Racetrack	2D 2"	24W 96L	24" diameter ends + 72" straights	72W 168L	72" diameter ends + 96" straights	
		36W 120L	36" diameter ends + 84" straights	96W 192L	96" diameter ends + 96" straights	
		48W 96L	48" diameter ends + 48" straights	96W 216L	96" diameter ends + 120" straights	
		60W 120L	60" diameter ends + 60" straights	120W 216L	120" diameter ends + 96" straights	
		72W 144L	72" diameter ends + 72" straights	120W 240L	120" diameter ends + 120" straights	
	4D 4"	48W 96L	48" diameter ends + 48" straights	96W 192L	96" diameter ends + 96" straights	
		60W 120L	60" diameter ends + 60" straights	96W 216L	96" diameter ends + 120" straights	
		72W 144L	72" diameter ends + 72" straights	120W 216L	120" diameter ends + 96" straights	
		72W 168L	72" diameter ends + 96" straights	120W 240L	120" diameter ends + 120" straights	
		CUSWL	Custom Dimensions			
<i>Number of segments and power drops will be supplied with drawings. Consult factory</i>						

Mounting	Driver Location	Voltage	Canopy Finish	End Cap Finish
ACM	<input type="text"/>	UNV	<input type="text"/>	<input type="text"/>
ACM Aircraft Cable	SCDL Surface Circular Canopy SSDL Surface Circular Side Entry SRDL Surface Rectangular Canopy SEDL Surface Rectangular Side Entry RADL Remote Acoustic Ceiling RHDL Remote Hard Ceiling ADDL ACT Remote Driver CUSDL Custom Driver	UNV 120/277 Volts <i>Consult factory for other voltages</i>	WCF White BCF Black SCF Silver RAL Custom <i>RAL North America; Consult factory</i>	WEC White BEC Black SEC Silver RAL Custom <i>RAL North America; Consult factory</i>

Power Cable Finish	Color Temperature	Color Rendering	Delivered Output	Dimming Driver
<input type="text"/>	<input type="text"/>	90CRI	<input type="text"/>	<input type="text"/>
WPC White BPC Black	<i>White Sources</i> 2700K 2700K 3000K 3000K 3500K 3500K 4000K 4000K 3000FS Full Spectrum <i>3000K</i> 3500FS Full Spectrum <i>3500K</i> <i>Full spectrum .95 reduced output and extended delivery Contact factory</i> CUSK Custom CT* <i>Consult factory for Tunable White, RGB(W)</i>	90CRI 90+CRI <i>Full Spectrum option: Min 95+ CRI Min R1-R15 90+ CRI Rf 95 Rg 105</i>	<i>White Sources Static/Tunable</i> 0400LM Standard 400 lm/ft (4W/ft) 0600LM Standard 600 lm/ft (6W/ft) 0800LM Standard 800 lm/ft (8W/ft) CUSLM Custom Lumen Output <i>200lm/ft - 800lm/ft; Consult factory for outputs outside of this range</i>	<i>White Sources Static</i> S010V01 Standard 0-10V, 1%, (soft on, dim to off) CUSDD Other Driver Options <i>Consult factory for availability of other driver options (including POE and Camera Safe)</i>

HPC SOLO RACETRACK

PRECONFIGURED



WRITTEN SPECIFICATIONS

LED System

- LED Circuitry is applied to minimum 0.0625" thick aluminum extruded cores for excellent heat management.
- LEDs are 90+CRI, 3 SDCM.
- 4 foot fixture performance at 3000K, 90 CRI, 2435 lumens, 25.64 Watts, 95 LPW delivered

Construction

- Diffuser: 0.120" Extruded PETG (polyethylene terephthalate glycol-modified); which is a variant of PET used in water bottles everywhere. Designed to be used in environments where high levels of disinfectant products are used. It is also has a much higher impact resistance than Acrylic and is available up to 20 feet in single lengths.
 - Barbican uses a proprietary diffusion formula PETG which in conjunction with the LED system provides excellent efficiencies of up to 115 lumens per watt at 3000K 90+ CRI.
- Metal construction to be aluminum minimum 0.0625" thickness. Fasteners are to be stainless steel.
- Cable grippers are nickel plated solid brass and stainless steel. Cables are 1/16" stainless steel.
- Canopies and driver housings are minimum 0.0625" aluminum.

Mounting

- Pendant cable mounts are nickel plated solid brass and are supplied with escutcheon plates for through surface power cables. Power cables are low voltage from the canopy/remote mounted drivers.
- Drivers: All drivers are mounted remote from the fixture. Standard drivers include 0-10V 10% dimming 120/277V with Power Factor of >.9. Barbican works with most Control and Driver manufacturers including POE and can easily modify the driver housings for special control gear. Fixtures over 96W may require more than one driver per fixture.
- Emergency fixtures are supplied with leads and KO for UL924 relays (by others). Battery back up will usually only drive one or two of the cores in larger fixtures to maintain the 90 minute requirement. Maximum distance driver to fixture 15 feet.
- Labels: ETL US and Canada, CE Europe and Middle East (Dry, Damp indoor use only)
- Finish: Polyester Powder Coated standard.
- Lumen Maintenance: Reported L90 > 10,000hrs, Calculated > 60,000hrs (TM-21)
- Warranty: 5 years limited at 25 Celsius. Contact Barbican for additional information.

LABELS

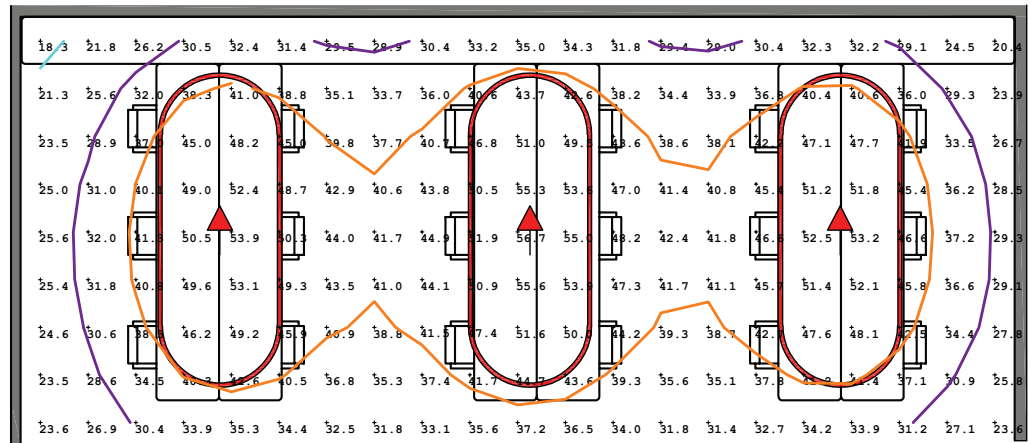
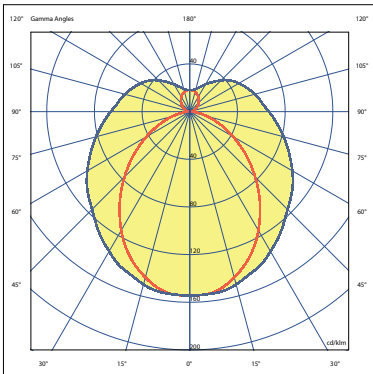
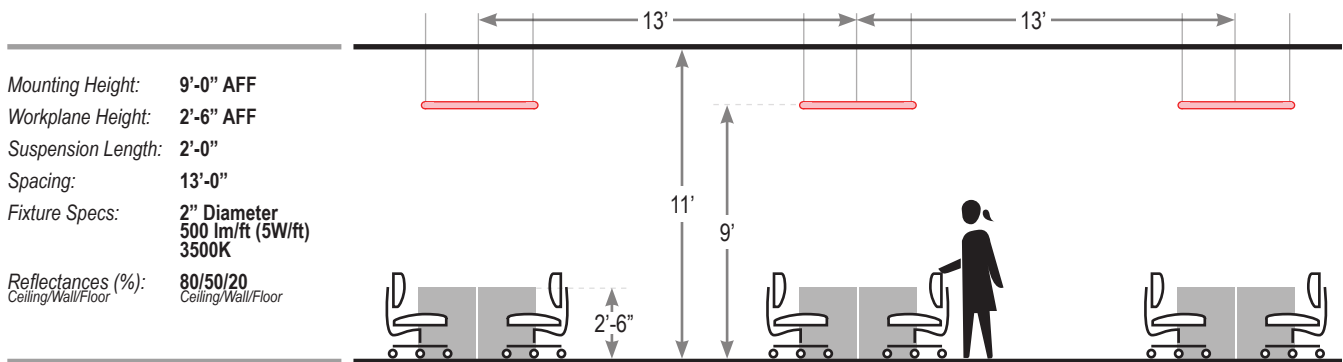
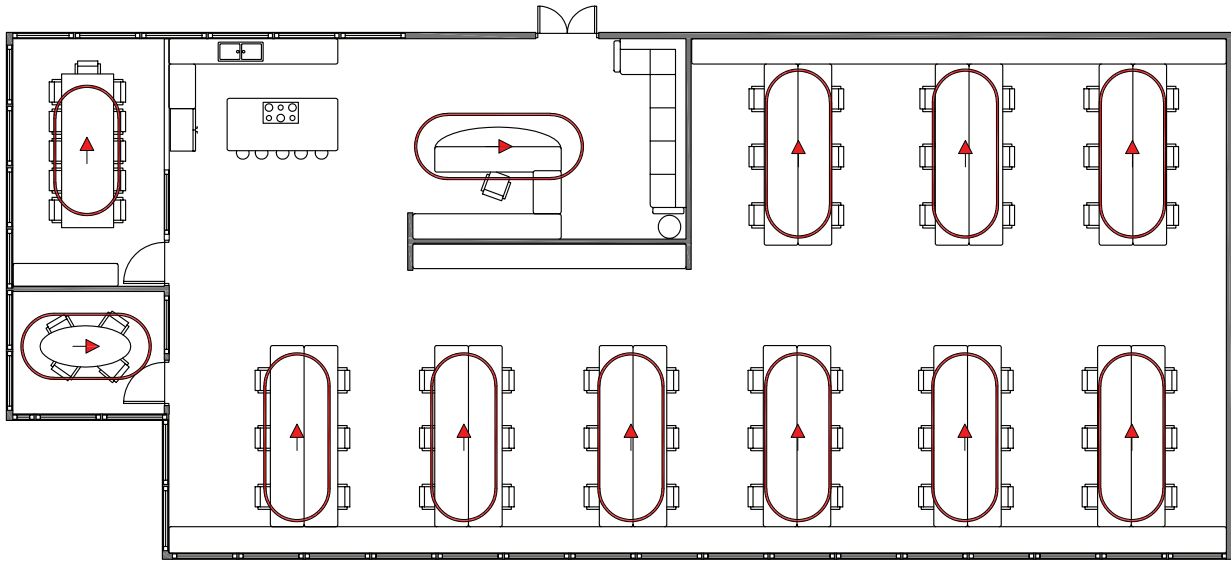


HPC SOLO RACETRACK

PRECONFIGURED



EXAMPLE LAYOUT (1/2) Linear



HPC SOLO RACETRACK

PRECONFIGURED



EXAMPLE LAYOUT Linear



HPC SOLO RACETRACK

PRECONFIGURED



APPLICATIONS Inspiration

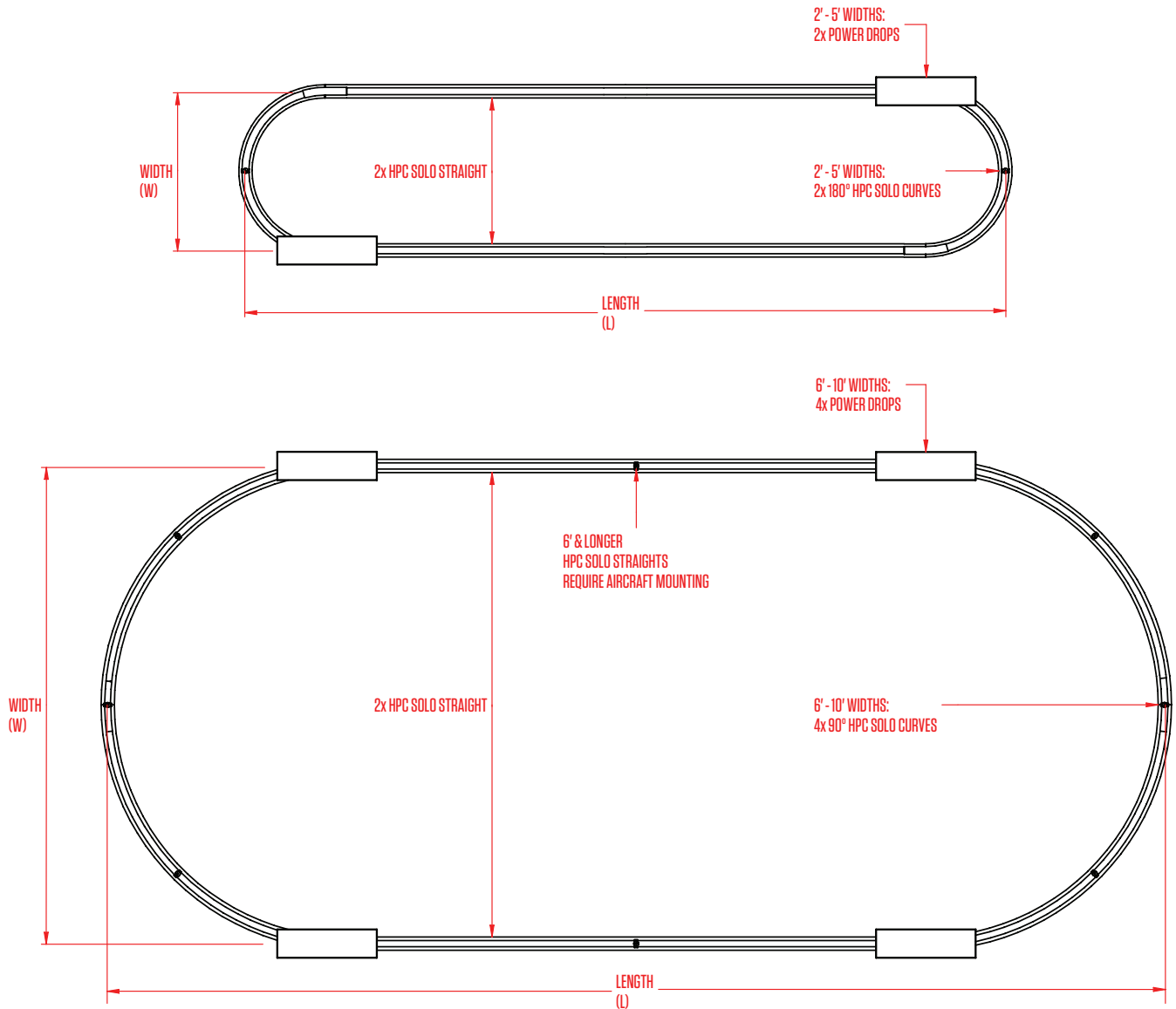


HPC SOLO RACETRACK

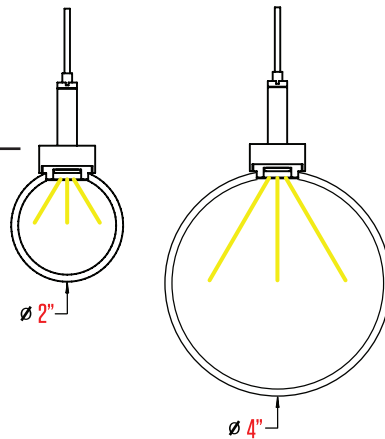
PRECONFIGURED



FIXTURE CONFIGURATIONS Line Drawings



Cross Sections



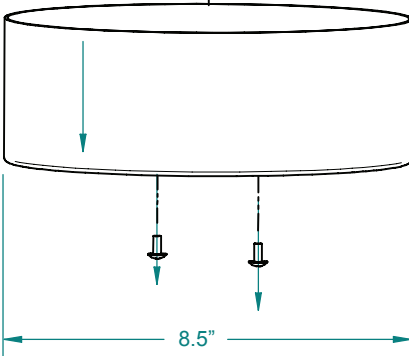
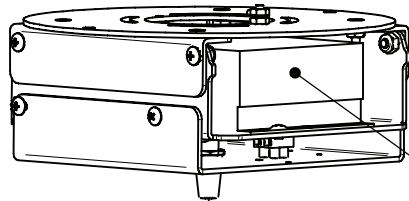
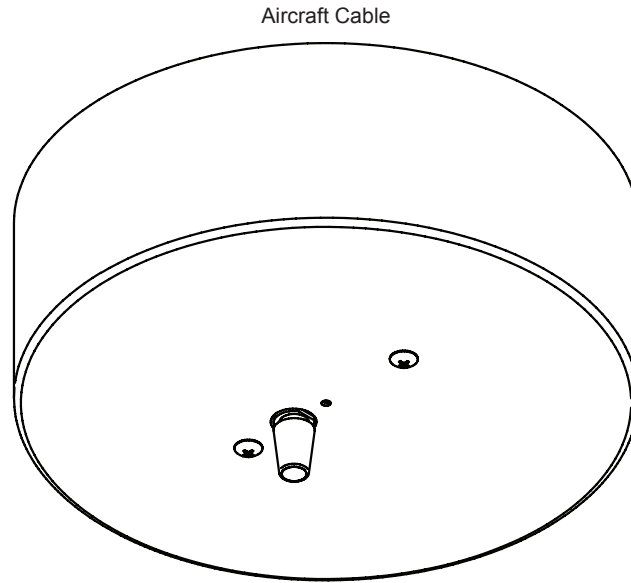
HPC SOLO RACETRACK

PRECONFIGURED



SPECIFICATION DETAILS (cont.)

Surface Circular Canopy (SCDL)



Driver configuration may vary based on order

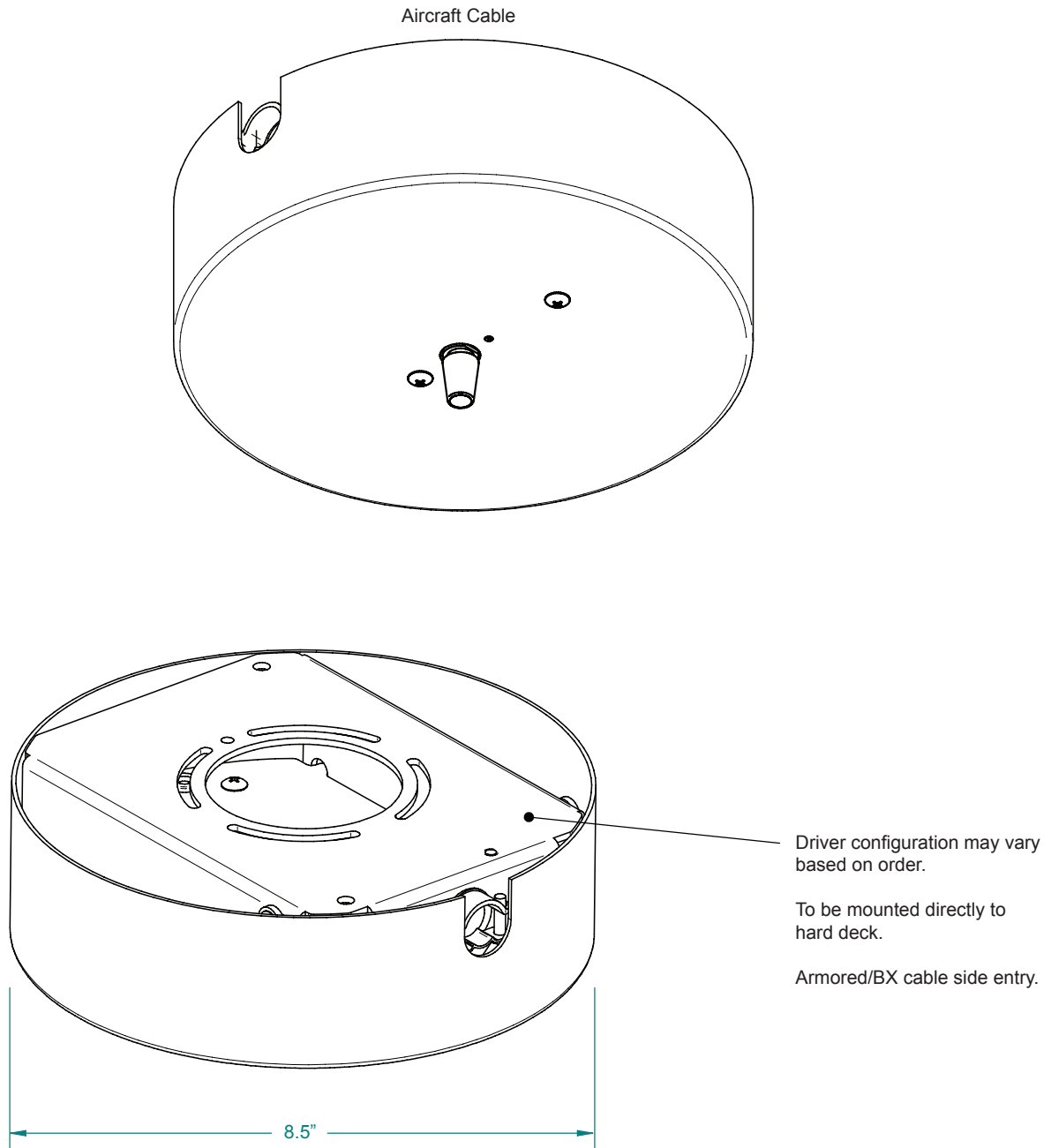
HPC SOLO RACETRACK

PRECONFIGURED



SPECIFICATION DETAILS (cont.)

Surface Circular Side Entry Canopy (SSDL)



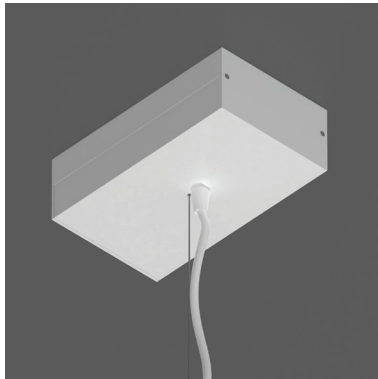
HPC SOLO RACETRACK

PRECONFIGURED



SPECIFICATION DETAILS (cont.)

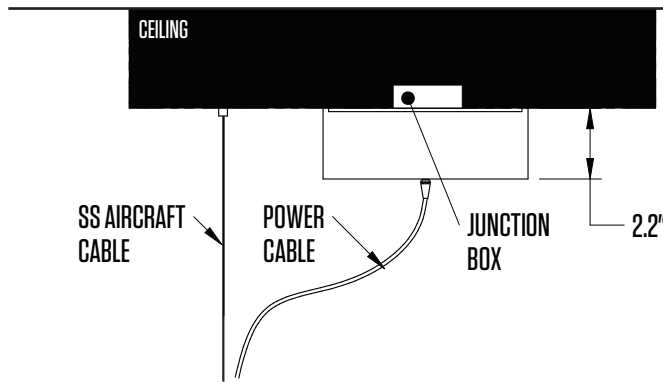
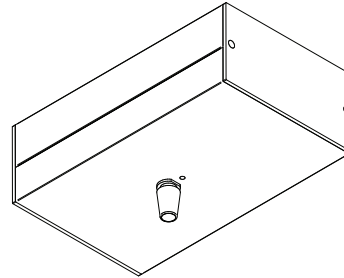
Surface Rectangular Canopy (SRDL)



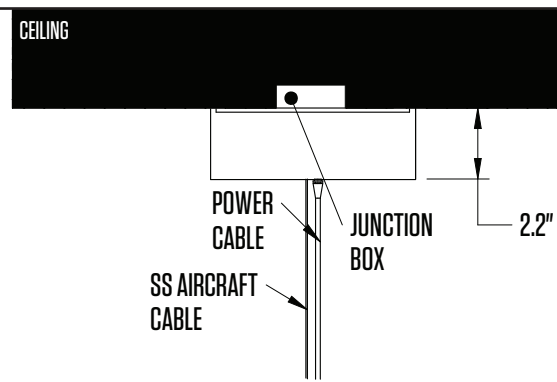
White Power Cord



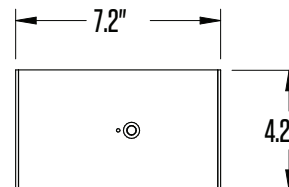
Black Power Cord



Offset Surface Ceiling Location Mounting Side View



Surface Ceiling Location Mounting Side View



Surface Ceiling Location Mounting Bottom View

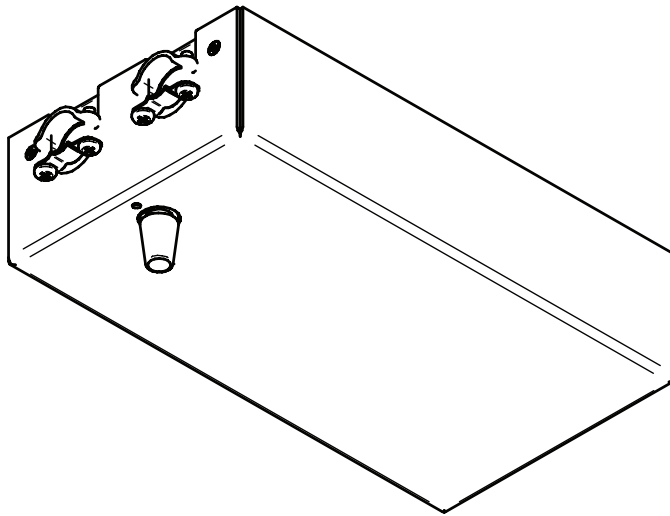
HPC SOLO RACETRACK

PRECONFIGURED

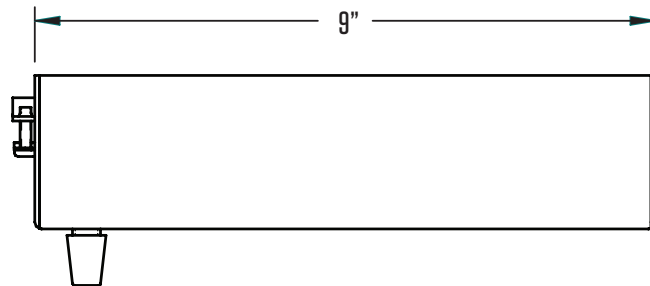
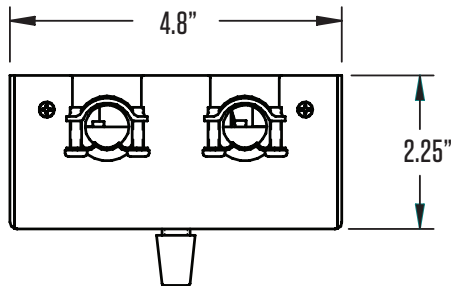


SPECIFICATION DETAILS (cont.)

Surface Rectangular Side Entry (SEDL)



LINEAR CANOPY
Mounts to Hard Deck



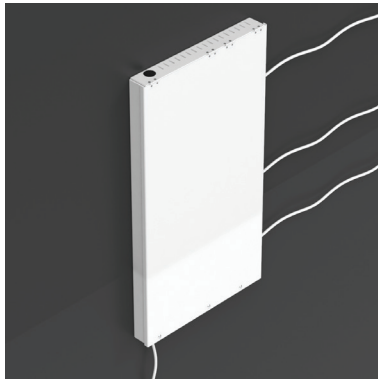
HPC SOLO RACETRACK

PRECONFIGURED

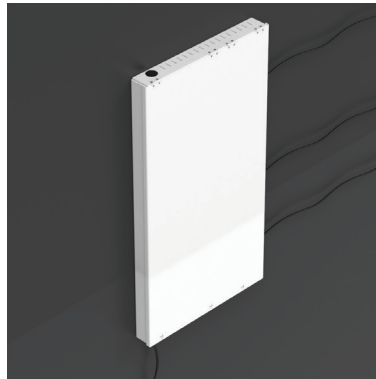


SPECIFICATION DETAILS (cont.)

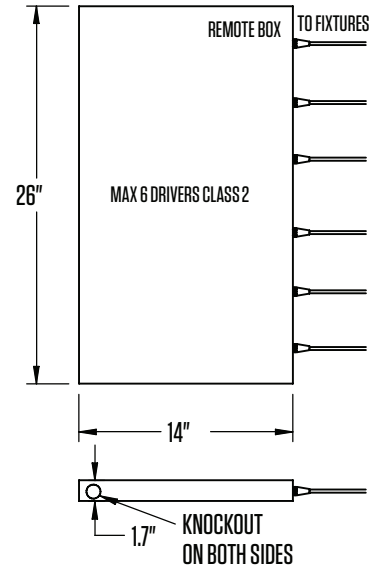
Remote Acoustic Ceiling Driver / Remote Hard Ceiling Driver (RADL / RHDL)



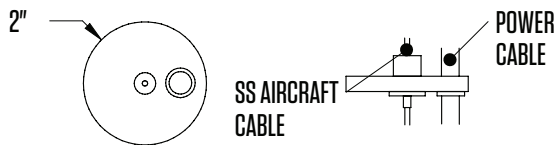
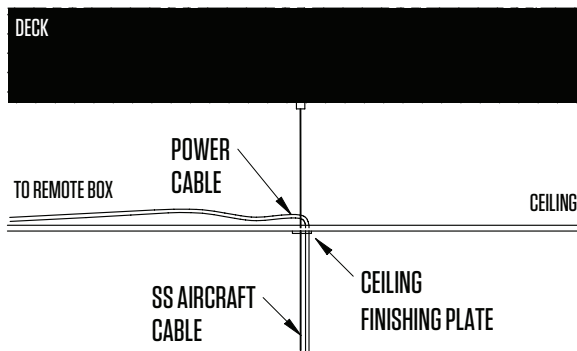
White Power Cord



Black Power Cord

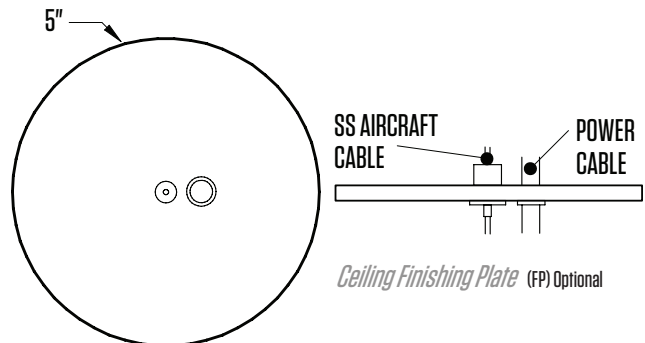
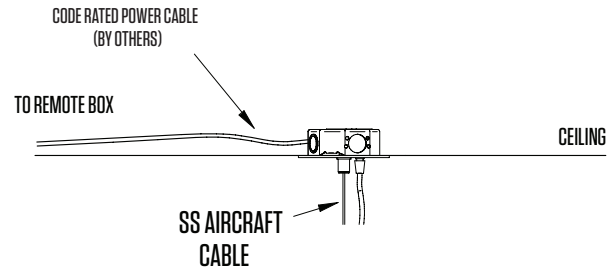


Non Plenum Rated Power Supply Box Mounting Side View (RADL)



Ceiling Finishing Plate (FP) Optional

Solid Ceiling Power or Plenum Rated Supply Box Mounting Side View (RHDL)



Ceiling Finishing Plate (FP) Optional

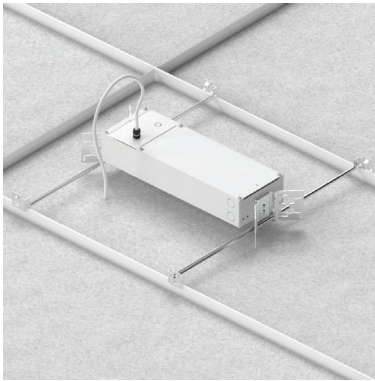
HPC SOLO RACETRACK

PRECONFIGURED

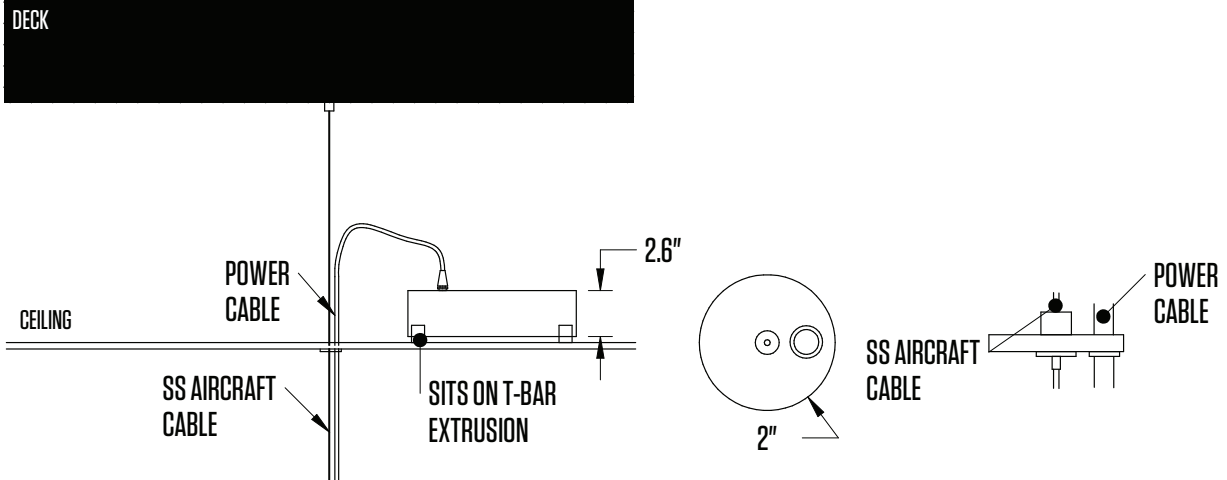
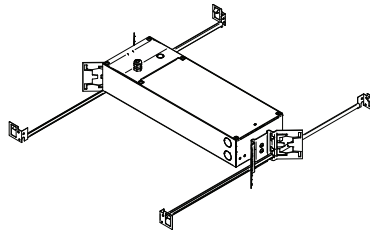


SPECIFICATION DETAILS (cont.)

ACT Remote Driver (ADDL)

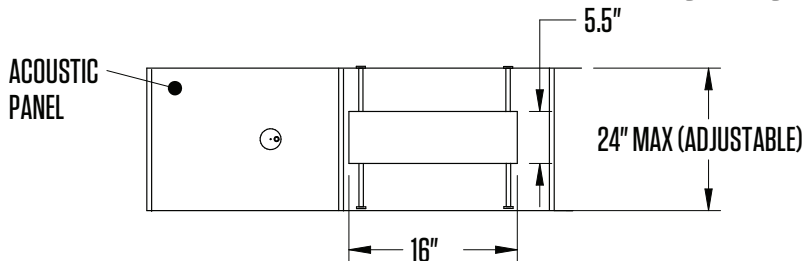


Driver Housing



Above Ceiling Location Mounting Side View

Ceiling Finishing Plate (FP) Optional



Above Ceiling Location Mounting Top View