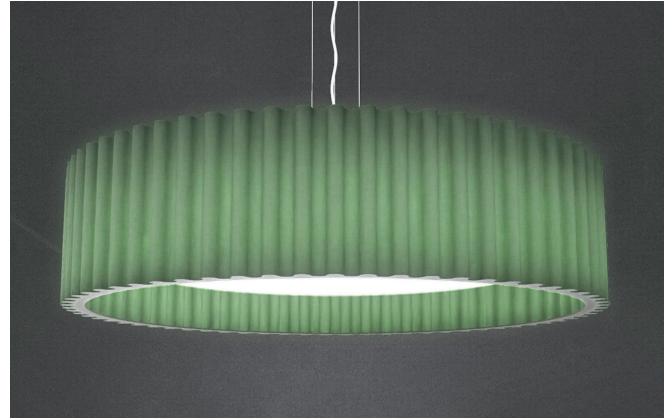


# GEAR DRUM

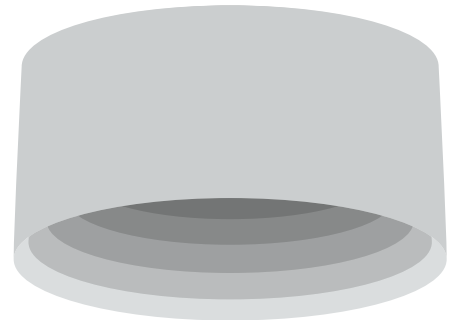
PENDANT



The only double shade light fixture in the drum family, the Gear Drum combines simple with edgy.

The Gear Drum's outer shade is without a bottom lens, creating a skirted appearance. Both shades are manufactured with Barbican's laminated shade material, which ensures that the fixture is harder to damage, easier to clean and can be sanitized, allowing it to be used in spaces that require a high level of sanitation like hospitals and food services.

The standard fabric colour for the inside drum is white, however, the outer shade can be customized by choosing choose from more than 45 standard laminated fabric colours, 800+ printed options, Pantone colours, logos, or custom prints.



*Available in 9 standard diameter/height combinations!*

## RELATED FIXTURES



## AVAILABLE FINISH OPTIONS

Laminated Fabric					Printed Pattern				
<b>+ MORE</b>					<b>+ MORE</b>				
Natural Wood			Natural Stone			Artisan Collection			
<b>+ MORE</b>			<b>+ MORE</b>			<b>+ MORE</b>			
Metal									
			<b>CUSTOM RAL</b>						

# GEAR DRUM

## PENDANT



### SPECIFICATION

Fixture	Diameter	Height	Shade Finish Category*	Shade Finish Selection*	Mounting
<b>16-77</b>	<input type="text"/>	<input type="text"/>	<input type="text"/>	<input type="text"/>	<input type="text"/>
<b>16-77</b> Pendant Drum	<b>36D</b> 36" <b>48D</b> 48" <b>60D</b> 60"	<b>12H</b> 12" <b>18H</b> 18" <b>24H</b> 24"	<b>LF</b> Laminated Fabric <b>PS</b> Printed Pattern <b>PW</b> Natural Wood <b>PSF</b> Natural Stone <b>PSASP</b> Sarah Phelps** <b>PSAKC</b> Kaleidoscope** <b>PSAAP</b> Aleta Pippin** <b>CP</b> Custom Printing <i>Consult factory</i>	<input type="text"/> Finish Name <i>* See following pages for examples/names of all available finishes</i>	<b>ACM</b> Aircraft Cable * <i>Standard length 120"</i> <b>STM</b> Stem Mount <i>Standard length 48"</i>  <i>*Length is field adjustable.            Remote with escutcheons contact factory for maximum cable lengths</i>

*\* See following pages for examples/names of some available finishes.  
 \*\* Part of Barbican's Artisan Collection*

Driver Location	Voltage	Power Cable Finish	Stem and/or Canopy Finish	Color Temperature
<input type="text"/>	<b>UNV</b>	<input type="text"/>	<input type="text"/>	<input type="text"/>
<b>SCDL</b> Surface Circular Canopy <b>SSDL</b> Surface Circular Side Entry <b>CUSDL</b> Custom Driver	<b>UNV</b> 120/277 Volts <i>Consult factory for other voltages</i>	<b>WPC</b> White <b>BPC</b> Black	<b>WCF</b> White <b>BCF</b> Black <b>ACF</b> Brushed Aluminum <b>RAL</b> Custom <i>RAL North America; Consult factory</i>	<i>White Sources</i> <b>2700K</b> 2700K <b>3000K</b> 3000K <b>3500K</b> 3500K <b>4000K</b> 4000K <b>3000FS</b> Full Spectrum 3000K <b>3500FS</b> Full Spectrum 3500K <i>Full spectrum .95 reduced output contact factory</i> <b>2765K</b> Tunable White* 2700K - 6500K <b>CUSK</b> Custom CT*

*RGB / RGBW Sources*  
**RGBW** RGBW\*

Color Rendering	Delivered Output	Dimming Driver																								
<b>90CRI</b>	<input type="text"/>	<input type="text"/>																								
<b>90CRI 90+ CRI</b>	<i>White Sources Static/Tunable</i> <table border="1"> <tr> <td>36"</td> <td>48"</td> <td>60"</td> </tr> <tr> <td><b>5700LM</b> - 60W</td> <td><b>5700LM</b> - 60W</td> <td></td> </tr> <tr> <td></td> <td><b>8500LM</b> - 90W</td> <td><b>8500LM</b> - 90W</td> </tr> <tr> <td></td> <td></td> <td><b>13500LM</b> -144W</td> </tr> </table> <b>___LM</b> Custom Lumen Output* <i>Consult factory for outputs outside of this range.            Total lumen output up to 15,000 lm delivered based on diameter.            Maximum Output varies by diameter</i> <i>RGB/RGBW Sources</i> <table border="1"> <tr> <td>36"</td> <td>48"</td> <td>60"</td> </tr> <tr> <td><b>60WO</b></td> <td><b>60WO</b></td> <td></td> </tr> <tr> <td></td> <td><b>90WO</b></td> <td><b>90WO</b></td> </tr> <tr> <td></td> <td></td> <td><b>144WO</b></td> </tr> </table> <b>___WO</b> Custom Watt Output	36"	48"	60"	<b>5700LM</b> - 60W	<b>5700LM</b> - 60W			<b>8500LM</b> - 90W	<b>8500LM</b> - 90W			<b>13500LM</b> -144W	36"	48"	60"	<b>60WO</b>	<b>60WO</b>			<b>90WO</b>	<b>90WO</b>			<b>144WO</b>	<i>White Sources Static</i> <b>S010V10</b> Standard 0-10V, 10% <b>S010V01</b> Standard 0-10V, 1%, (dim to off) <b>EDALI01</b> DALI control, 0.1% <b>LECO01</b> Lutron Ecosystem, 1% SOFTB, (Soft-on, Fade-to-Black)  <i>White Sources Tunable</i> <b>TW010V</b> Tunable White 2-Channel 0-10V <b>TWDALI</b> Tunable White DALI control <b>LECOTW</b> Lutron Ecosystem, 1%, Tunable White – T series  <i>RGB / RGBW Sources</i> <b>EDMX01</b> DMX, 0.1%  <b>CUSDD</b> Other Driver Options <i>Consult factory for availability of other driver options (including POE and Camera Safe)</i>
36"	48"	60"																								
<b>5700LM</b> - 60W	<b>5700LM</b> - 60W																									
	<b>8500LM</b> - 90W	<b>8500LM</b> - 90W																								
		<b>13500LM</b> -144W																								
36"	48"	60"																								
<b>60WO</b>	<b>60WO</b>																									
	<b>90WO</b>	<b>90WO</b>																								
		<b>144WO</b>																								

# GEAR DRUM

## PENDANT



### WRITTEN SPECIFICATIONS

#### LED System

- LED Circuitry is applied to minimum 0.0625" thick aluminum modules for excellent heat management. Modules are removeable for maintenance and are 90% recyclable.
- LEDs are 90+CRI, 3 SDCM.
- 36" x 8" fixture performance at 3000K 90CRI, 6896lms, 71.44 Watts, 96 LPW Delivered
- **Static White**, 36" x 12" fixture performance at 3000K 90CRI, 6896lms, 61.44 Watts, 112 LPW Delivered.
- **Full Spectrum**, efficiency is 88 lm/W; CRI is 96+ with all R1-R15 values at 90 or higher and Rf (fidelity) of 95, Rg (gamut) of 105.
- **Tunable White**, efficiency is 90 lm/W; Delivered lumens per foot is for both channels simultaneously at full output (maximum per individual channel is approximately 50% of total delivered lumens).
- **RGBW** maximum individual channel (Red, Green, Blue, or White) is 25% of total watts specified. Lumen outputs per channel per watt as follows:  
White only: 84 lm/W    Green only: 71 lm/W  
Red only: 24 lm/W    Blue only: 14 lm/W  
All four channels max: 44 lm/W (approx 9000K CCT)

#### Construction

- Side Diffuser: Wet Laminated PETG (polyethylene terephthalate glycol-modified); which is a variant of PET used in water bottles everywhere. Designed to be used in environments where high levels of disinfectant products are used. It is also has a much higher impact resistance than Acrylic.
- Barbican uses a proprietary diffusion formula PETG which in conjunction with the LED system provides excellent efficiencies of up to 95 lumens per watt at 3000K 90+ CRI.
- Metal construction to be aluminum minimum 0.0625" thickness. Fasteners are to be stainless steel.
- Cable grippers are nickel plated solid brass and stainless steel. Cables are 1/16" stainless steel.
- Canopies and driver housings are minimum 0.0625" aluminum.
- Barbican's Drum fixtures comes standard with the shade and light engine fully enclosed to protect from ingress of dirt, dust and other site conditions.

#### Mounting

- Power cables are low voltage from the canopy drivers.
- **Drivers:** All drivers are mounted in the canopy. Standard drivers include 0-10V 10% dimming 120/277V with Power Factor of >.9. Barbican works with most Control and Driver manufacturers including POE and can easily modify the driver housings for special control gear. Fixtures over 96W may require more than one driver per fixture.
- Emergency fixtures are supplied with leads and KO for UL924 relays (by others). Battery back up will usually only drive one or two of the cores in larger fixtures to maintain the 90 minute requirement. Maximum distance driver to fixture 15 feet.
- **Labels:** ETL US and Canada, CE Europe and Middle East (Dry, Damp indoor use only)
- **Finish:** Polyester Powder Coated standard, Hand Brushed Aluminum
- **Lumen Maintenance:** Reported L90 > 10,000hrs, Calculated > 60,000hrs (TM-21)
- **Warranty:** 5 years limited at 25 Celsius. Contact Barbican for additional information.

### LABELS



# GEAR DRUM

## PENDANT



### LAMINATED FABRIC Colour Samples



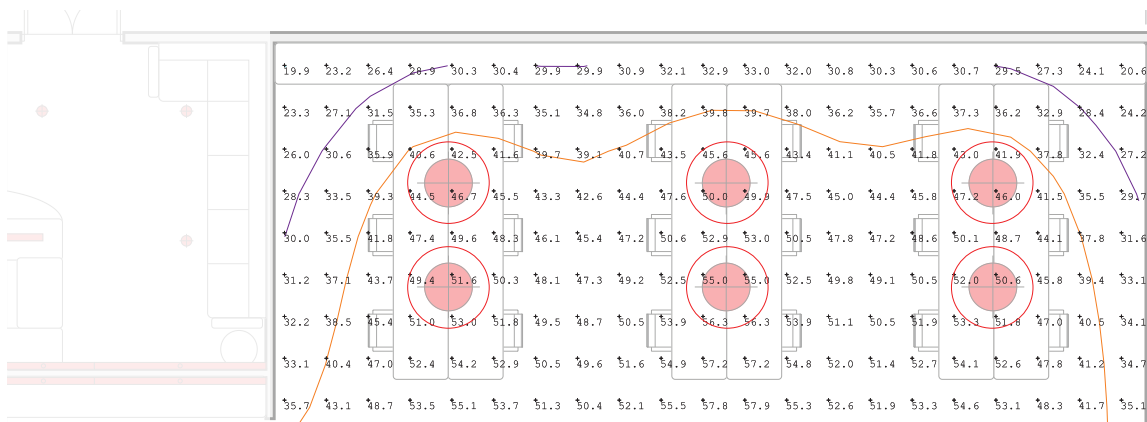
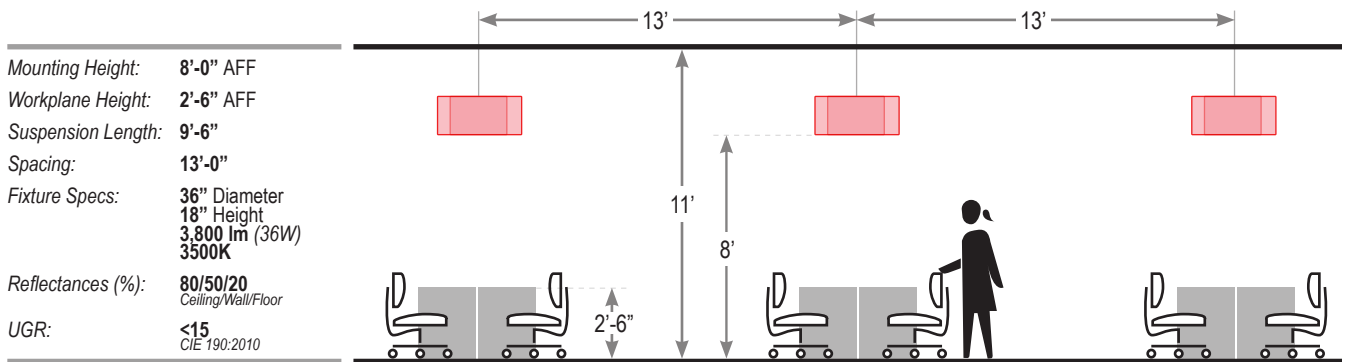
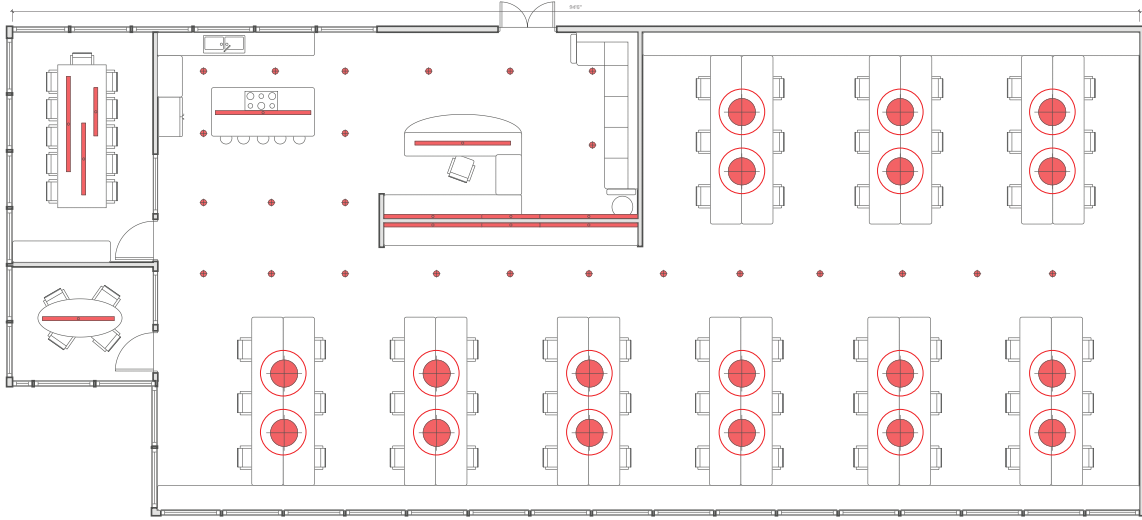


# GEAR DRUM

## PENDANT



### EXAMPLE LAYOUT



# GEAR DRUM

PENDANT



## APPLICATIONS





# GEAR DRUM

PENDANT



## APPLICATIONS

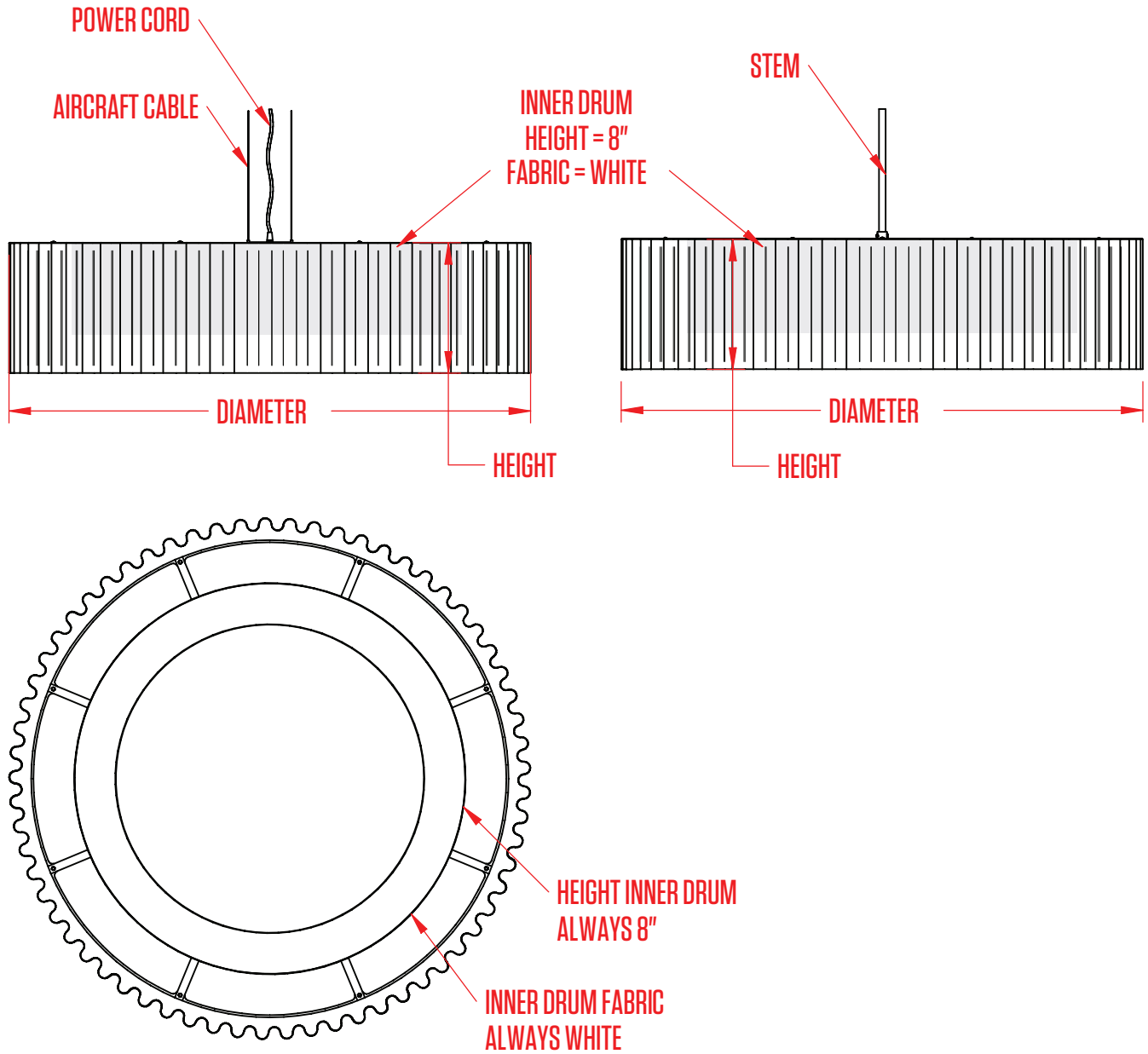


# GEAR DRUM

PENDANT

## SPECIFICATION DETAILS

### Line Drawing



Standard cable length provided is 120".  
Cables are field adjustable shorter during installation.  
Contact factory for alternate length.

Standard stem length provided is 48".  
Stem is field cut-able shorter during installation.  
Contact factory for alternate length.

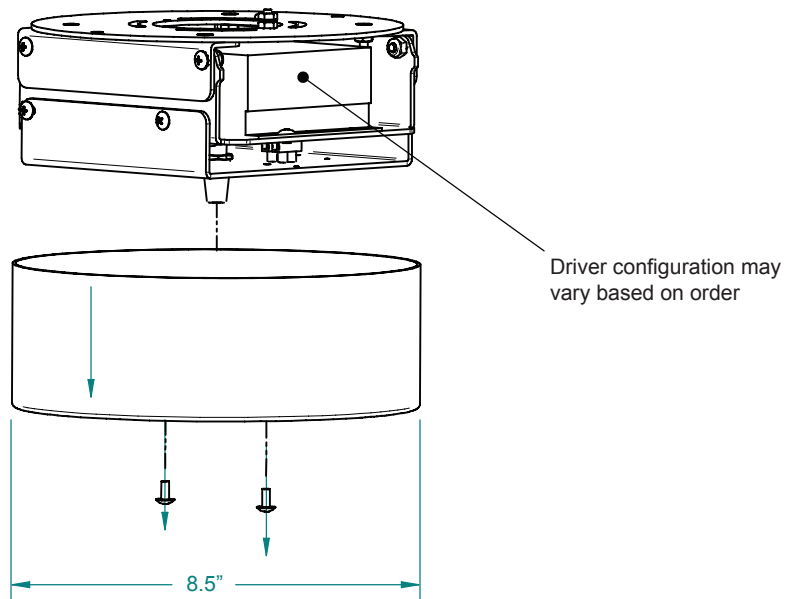
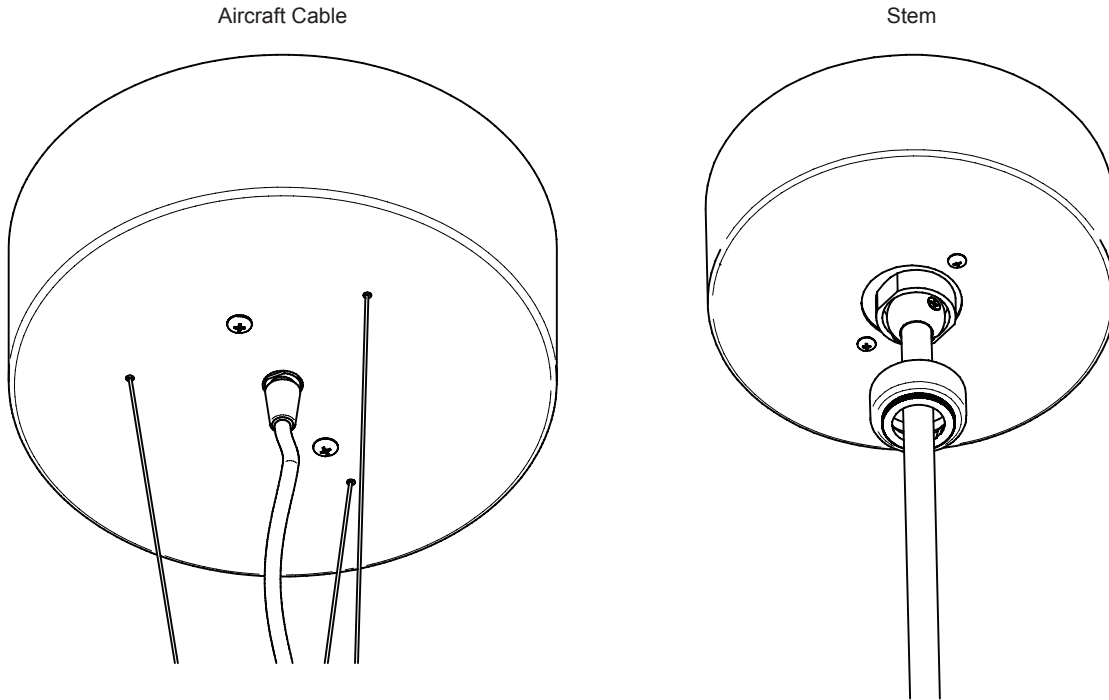


# GEAR DRUM

PENDANT

## SPECIFICATION DETAILS (cont.)

### Surface Circular Canopy (SCDL)



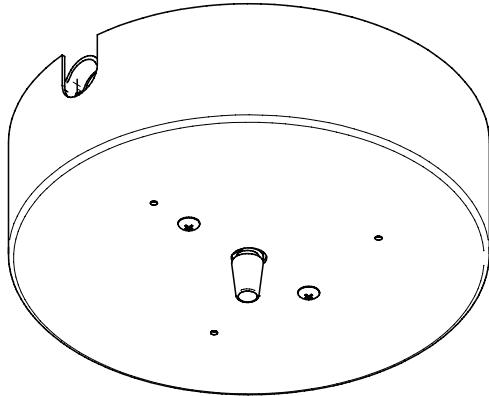
# GEAR DRUM

PENDANT

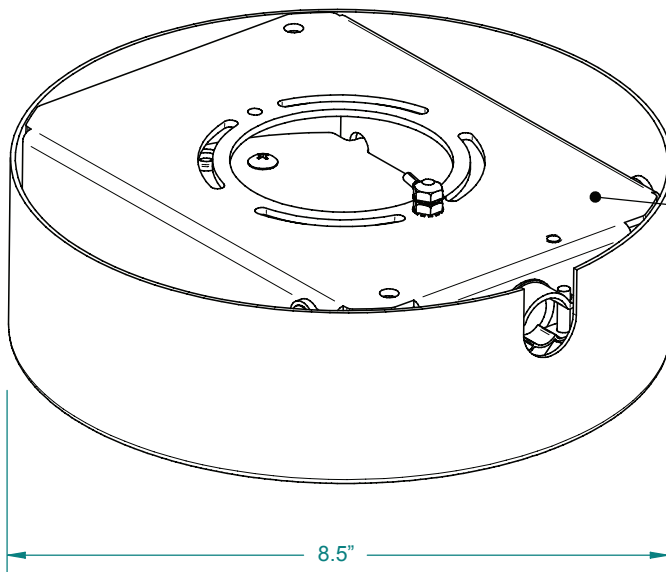
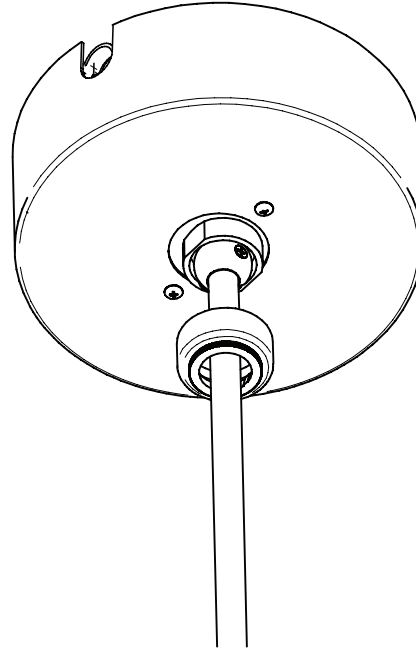
## SPECIFICATION DETAILS (cont.)

### Surface Circular Side Entry Canopy (SSDL)

Aircraft Cable



Stem



Driver configuration may vary based on order.

To be mounted directly to hard deck.

Armored/BX cable side entry.