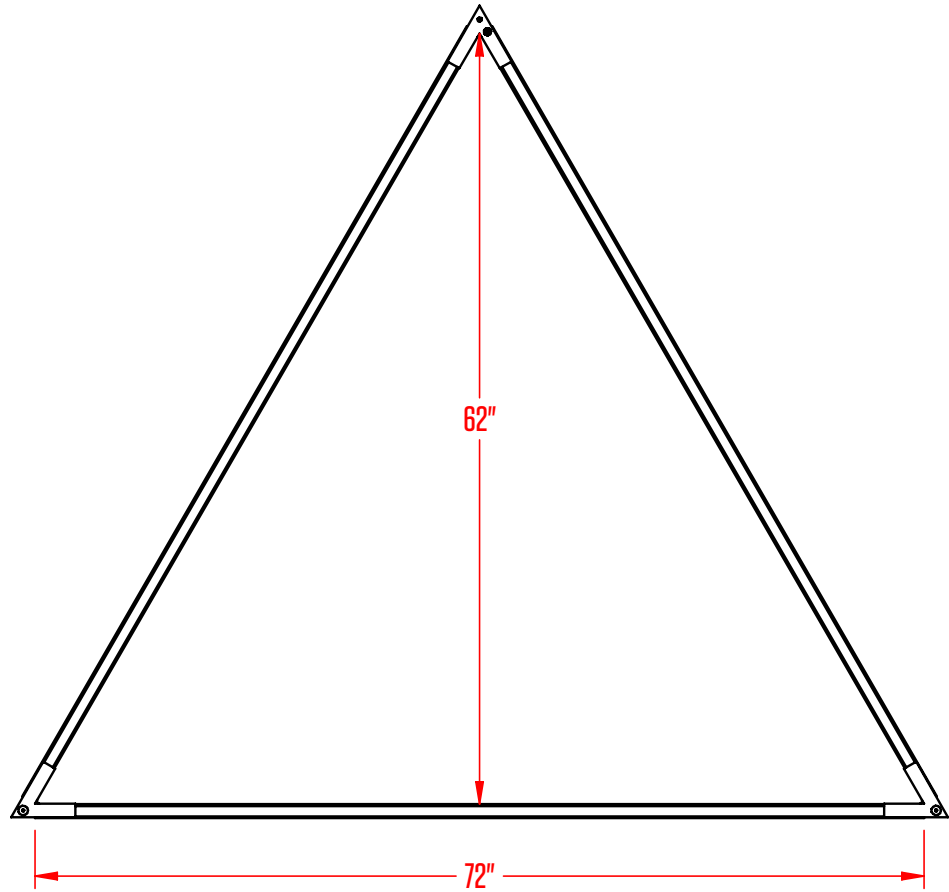
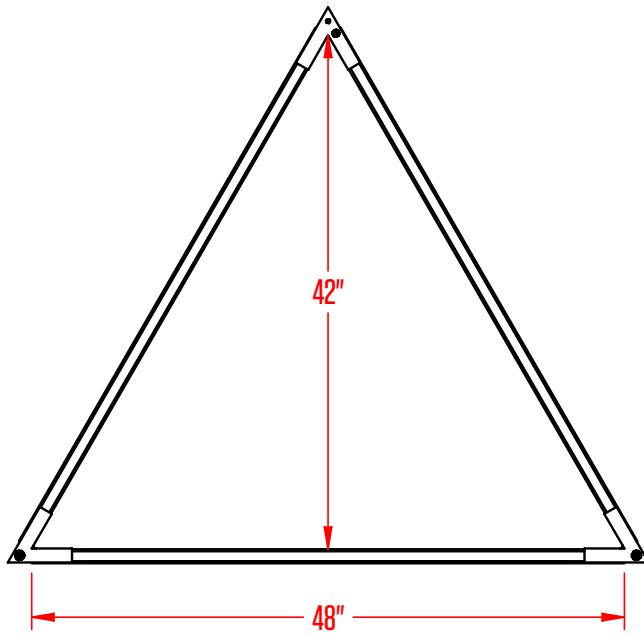
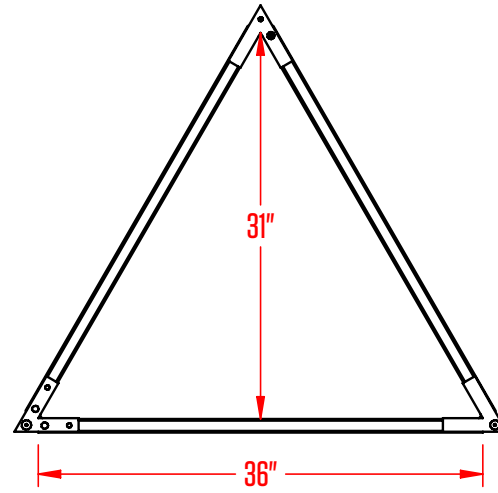
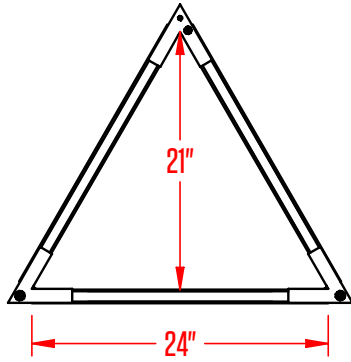


Section Length	Flat to Point
----------------	---------------

24L 24"	21"
36L 36"	31"
48L 48"	42"
72L 72"	62"

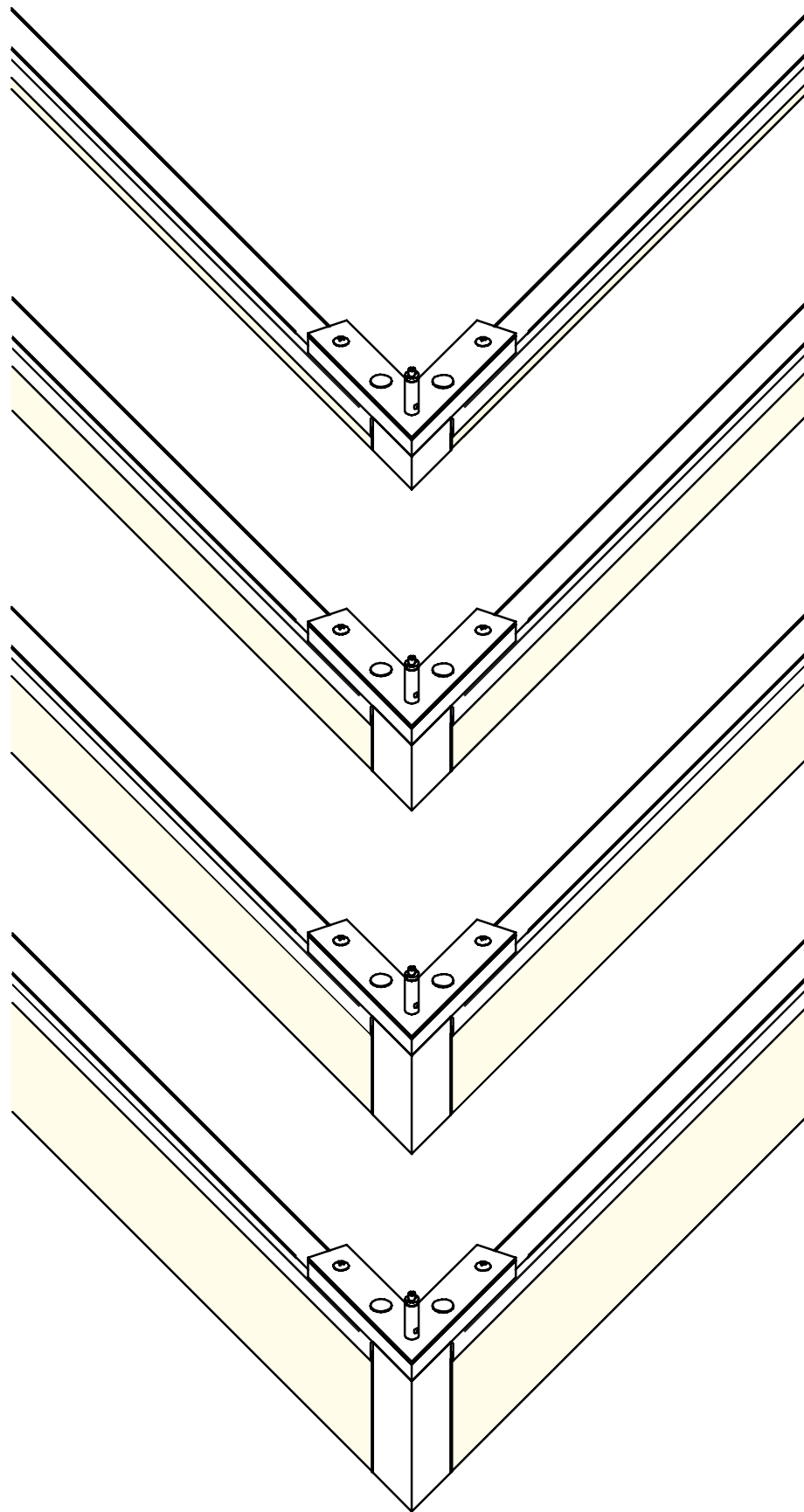


canada: 479 central avenue | fort erie, ontario | L2A 3T9  
 usa: 266 elmwood avenue, unit 386 | buffalo, new york | 14222  
[www.barbican.ca](http://www.barbican.ca) | 800 663 5781 | [info@barbican.ca](mailto:info@barbican.ca)

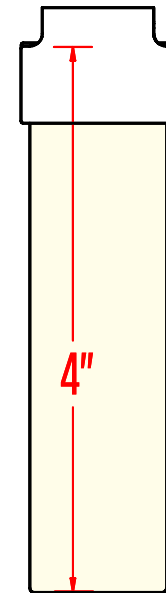
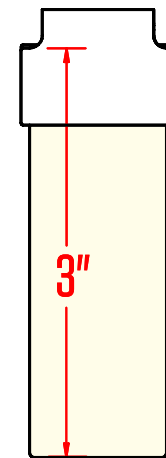
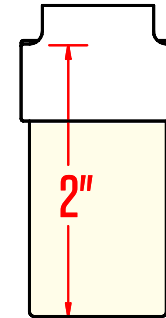
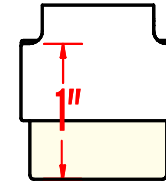
PRODUCT CODE: 27-PC3

PRODUCT NAME: FOM Slim Preconfigured TRIANGLE

CONTACT: [sales@barbican.ca](mailto:sales@barbican.ca)



1" WIDTH

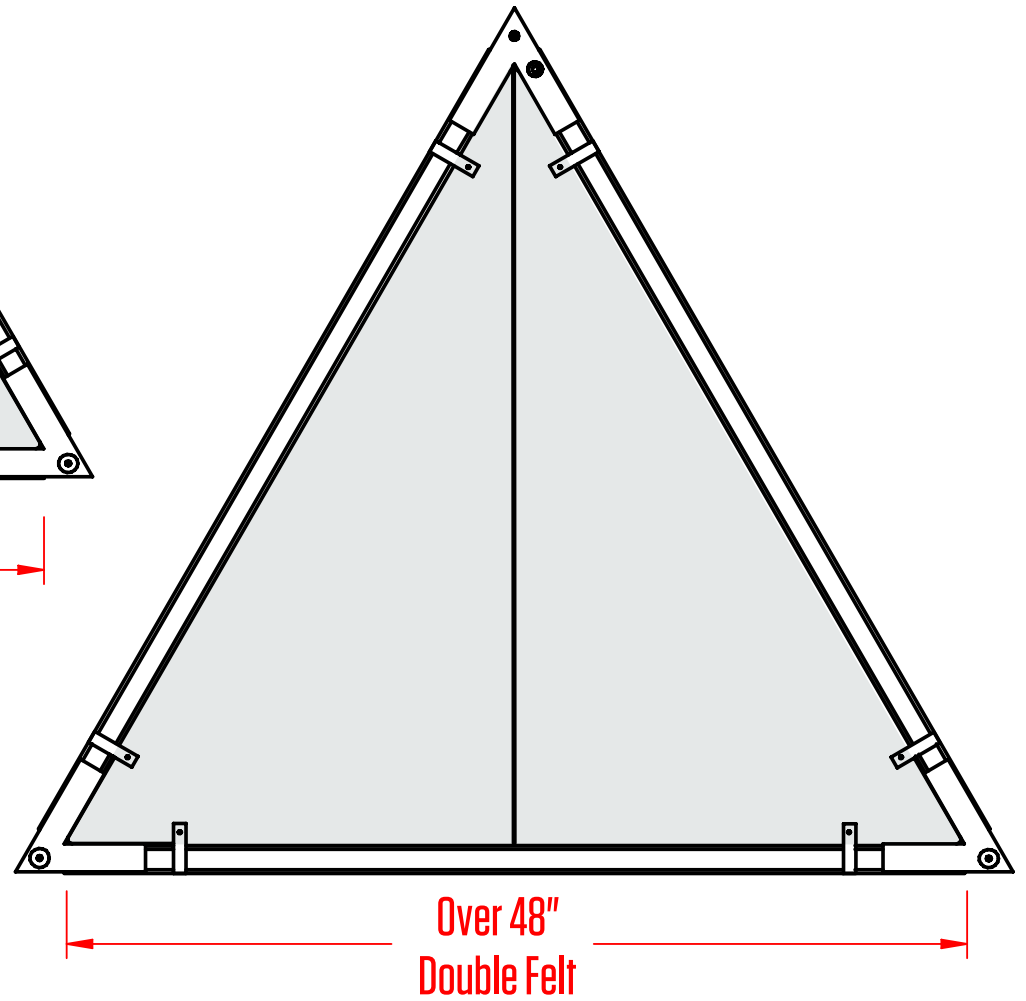
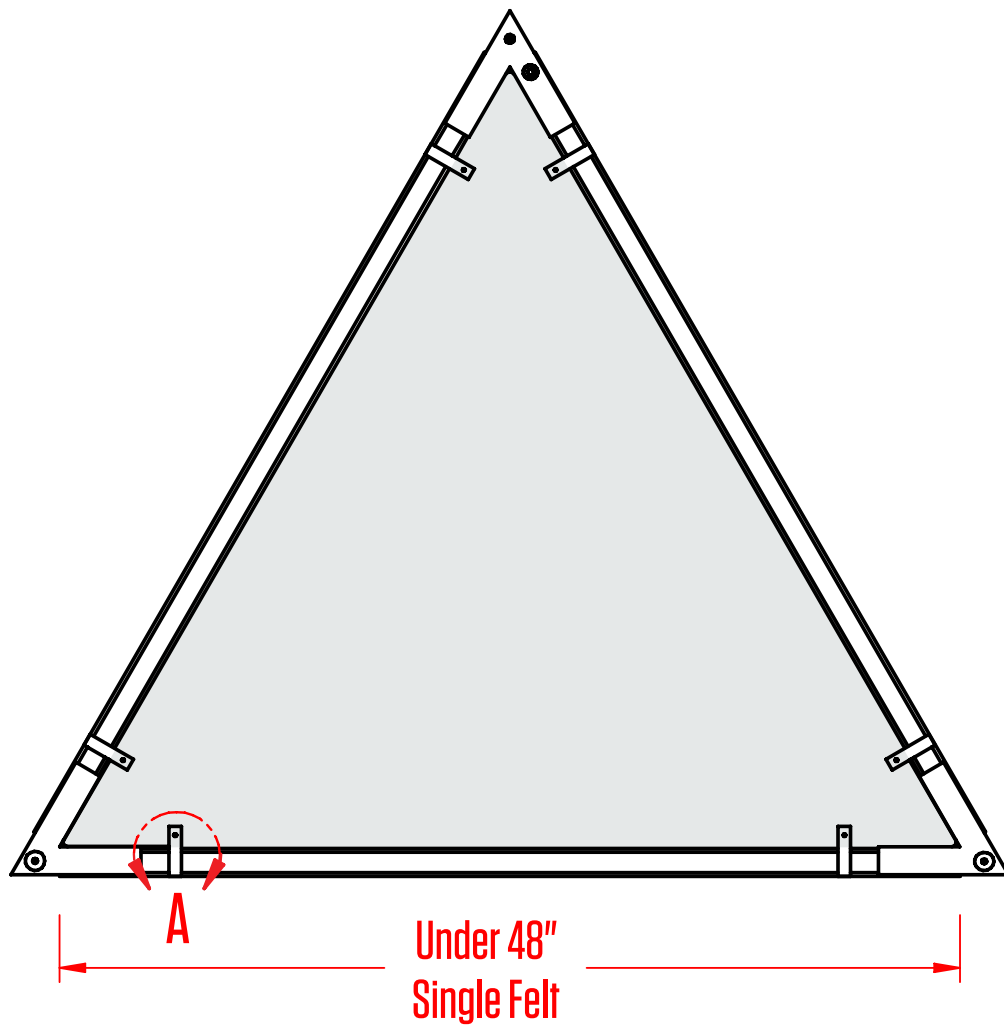


canada: 479 central avenue | fort erie, ontario | L2A 3T9  
usa: 266 elmwood avenue, unit 386 | buffalo, new york | 14222  
www.barbican.ca | 800 663 5781 | info@barbican.ca

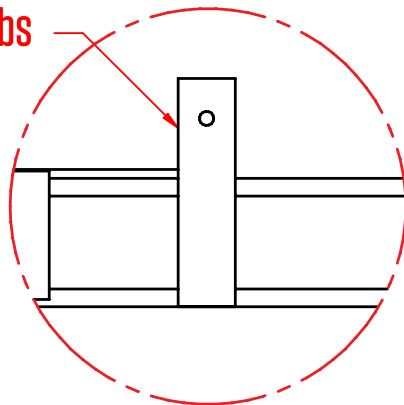
PRODUCT CODE: 27-PC3 Corner Blocks

PRODUCT NAME: FOM Slim Preconfigured TRIANGLE

CONTACT: sales@barbican.ca



**Support Tabs**



**DETAIL A**



canada: 479 central avenue | fort erie, ontario | L2A 3T9  
 usa: 266 elmwood avenue, unit 386 | buffalo, new york | 14222  
 www.barbican.ca | 800 663 5781 | info@barbican.ca

**PRODUCT CODE:** 27-PC3 w/FELT

**PRODUCT NAME:** FOM Slim Preconfigured TRIANGLE

**CONTACT:** sales@barbican.ca