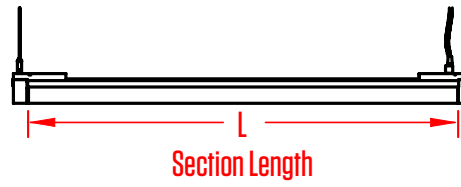
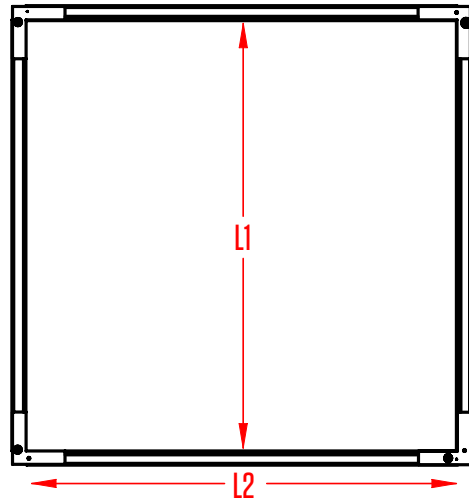


Standard Length Options



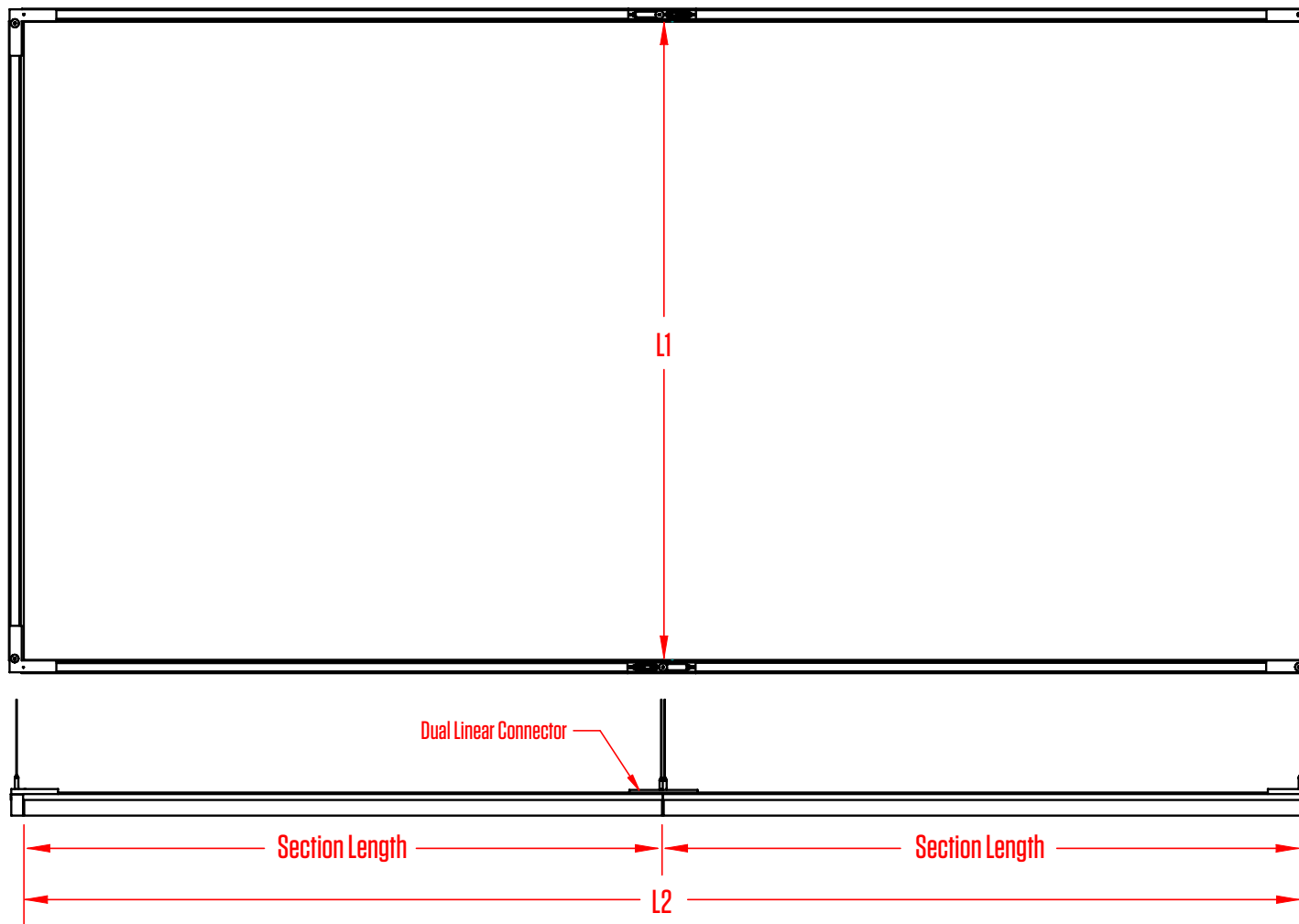
Length 1 Length 2

24L1	24"	24L2	24"
48L1	48"	48L2	48"
72L1	72"	72L2	72"
96L1	96"	96L2	96"

Modified Length Options

CUSL Custom length

Consult factory

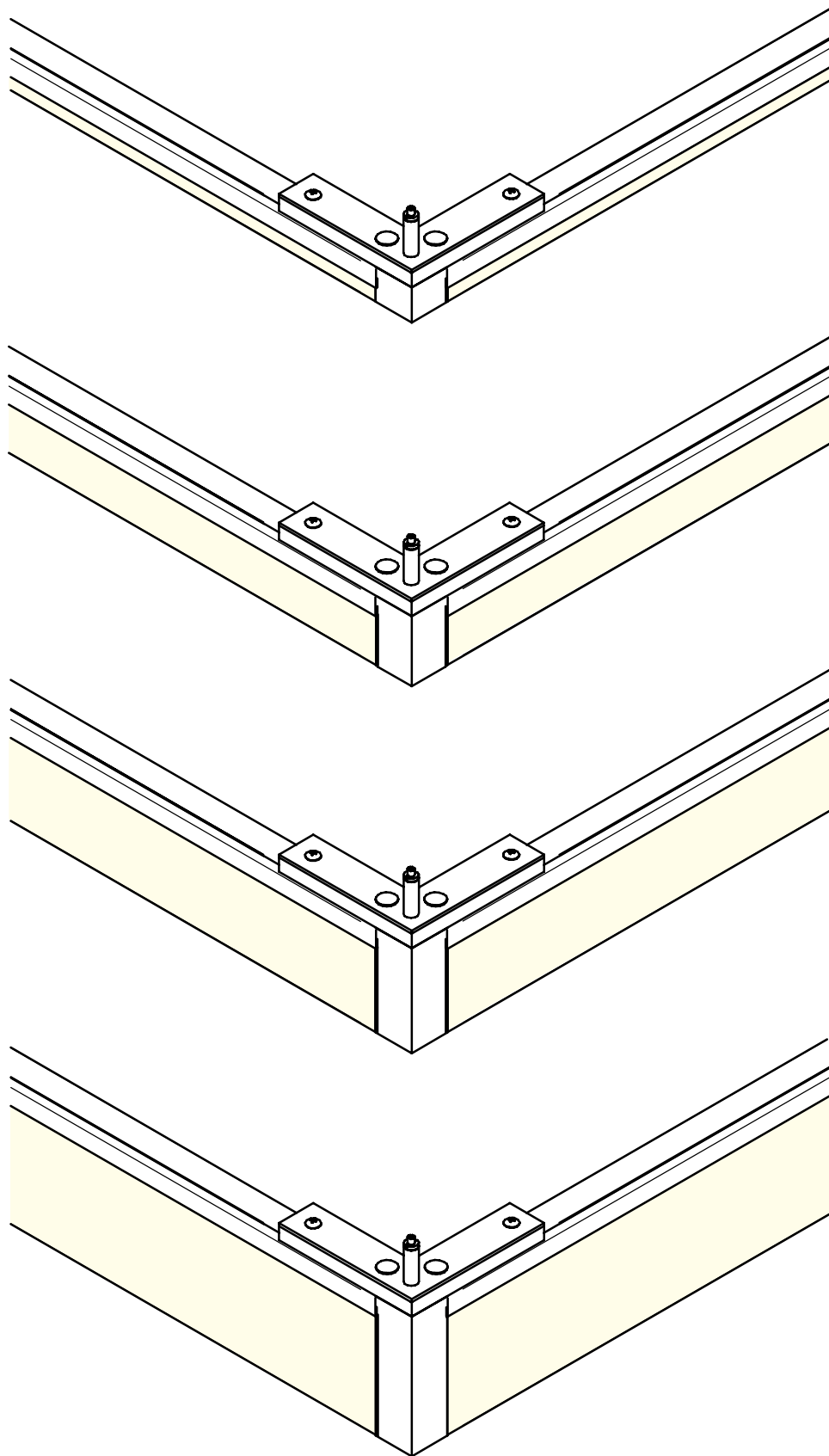


canada: 479 central avenue | fort erie, ontario | L2A 3T9
 usa: 266 elmwood avenue, unit 386 | buffalo, new york | 14222
 www.barbican.ca | 800 663 5781 | info@barbican.ca

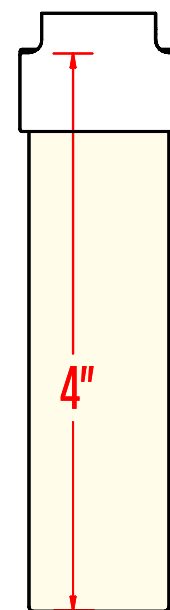
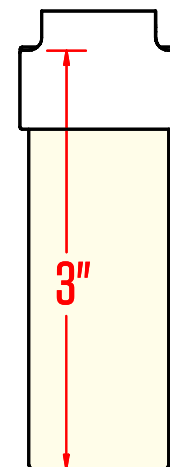
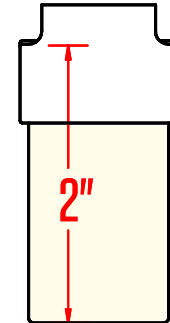
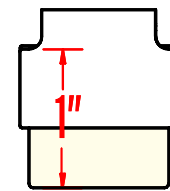
PRODUCT CODE: **27-PC4**

PRODUCT NAME: **FOM Slim Preconfigured SQUARE/RECTANGLE**

CONTACT: **sales@barbican.ca**



1" WIDTH

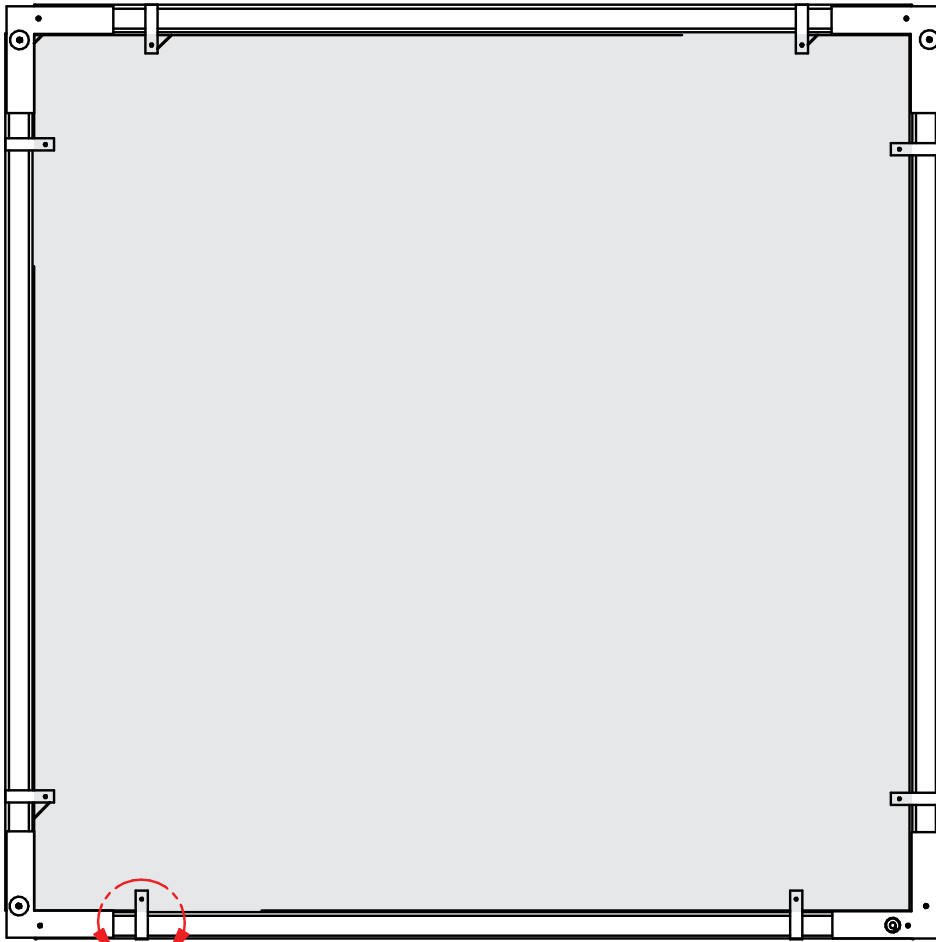


canada: 479 central avenue | fort erie, ontario | L2A 3T9
 usa: 266 elmwood avenue, unit 386 | buffalo, new york | 14222
www.barbican.ca | 800 663 5781 | info@barbican.ca

PRODUCT CODE: 27-PC4 Corner Conectors

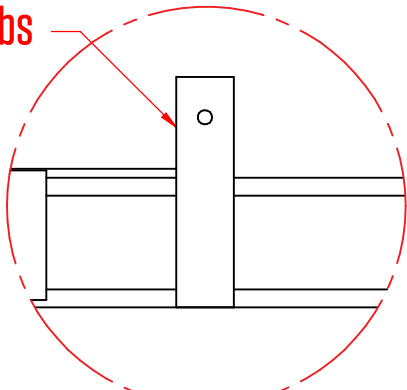
PRODUCT NAME: FOM Slim Preconfigured SQUARE/RECTANGLE

CONTACT: sales@barbican.ca

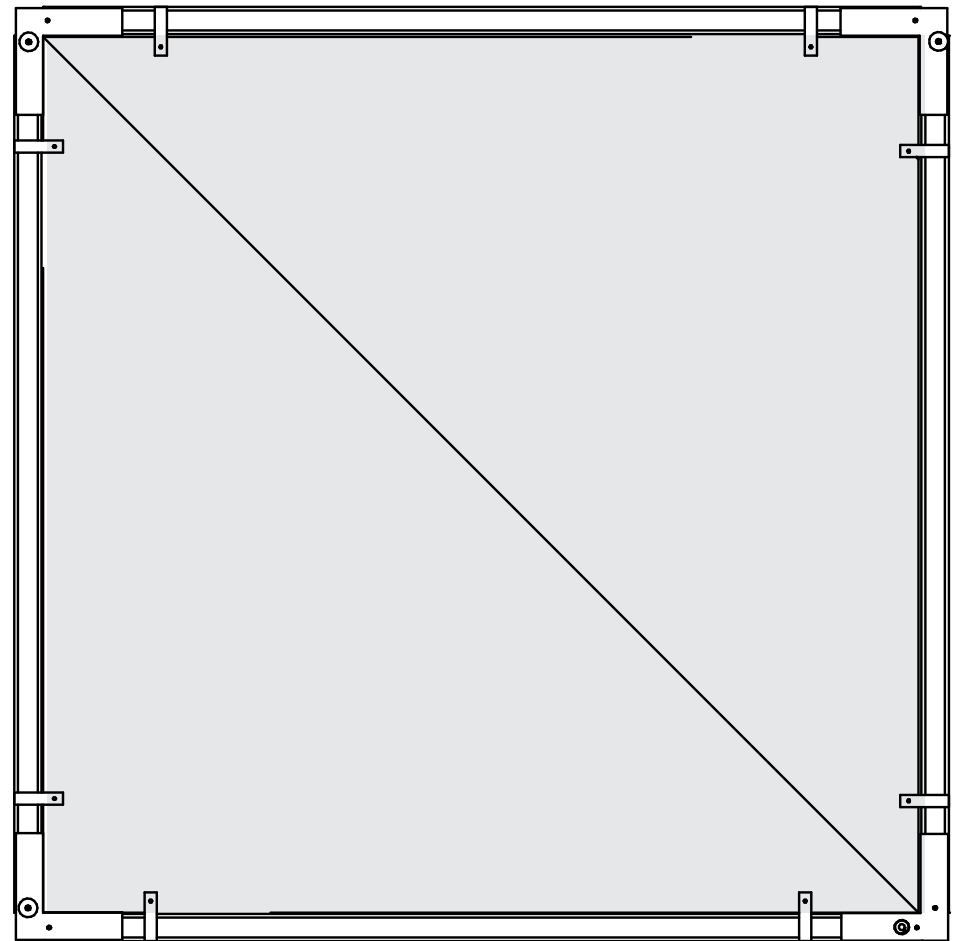


Under 48"
Single Felt

Support Tabs



DETAIL A



Over 48"
Double Felt

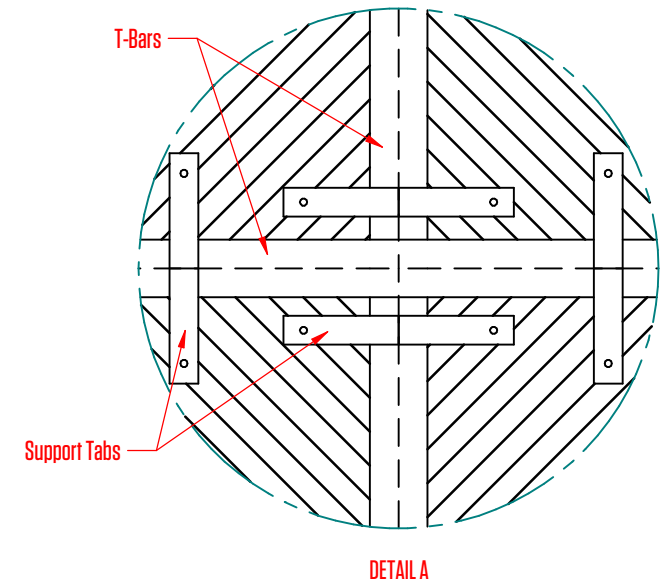
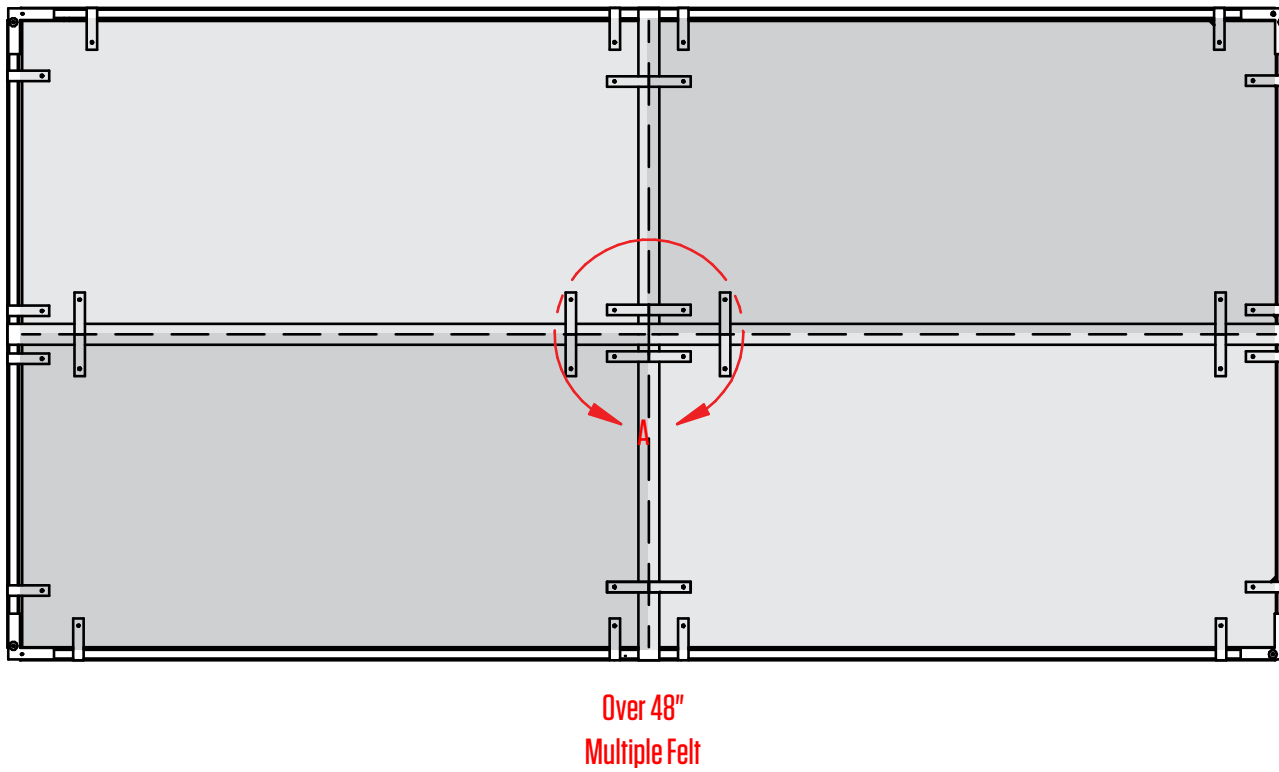
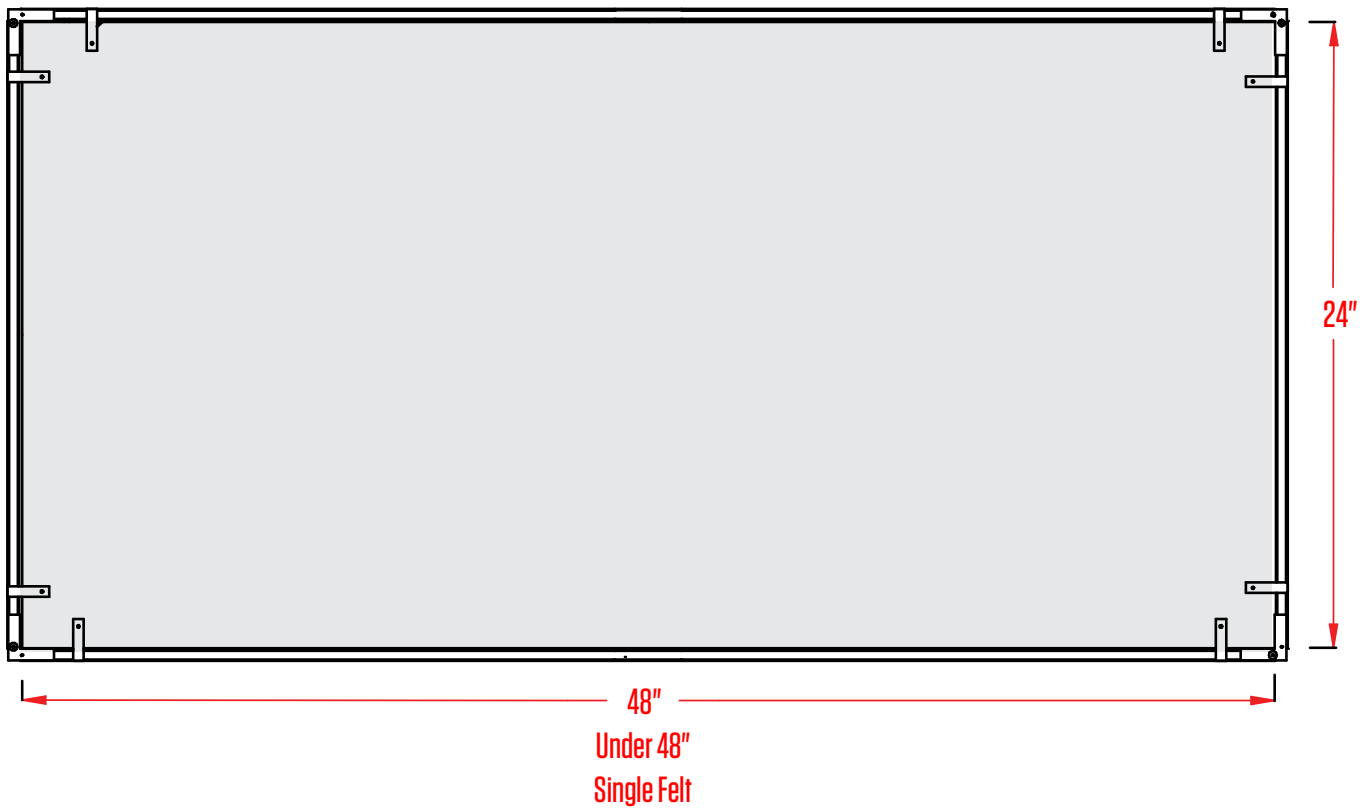


canada: 479 central avenue | fort erie, ontario | L2A 3T9
usa: 266 elmwood avenue, unit 386 | buffalo, new york | 14222
www.barbican.ca | 800 663 5781 | info@barbican.ca

PRODUCT CODE: 27-PC4 with FELT (AR)

PRODUCT NAME: FOM Slim Preconfigured SQUARE

CONTACT: sales@barbican.ca



canada: 479 central avenue | fort erie, ontario | L2A 3T9
 usa: 266 elmwood avenue, unit 386 | buffalo, new york | 14222
 www.barbican.ca | 800 663 5781 | info@barbican.ca

PRODUCT CODE: 27-PC4 with FELT (AR)

PRODUCT NAME: FOM Slim Preconfigured RECTANGLE

CONTACT: sales@barbican.ca