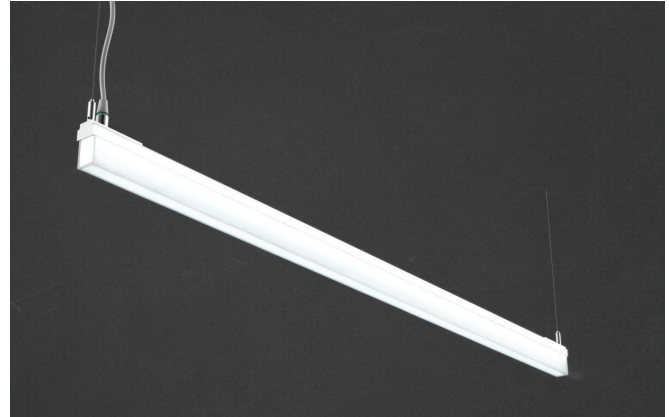


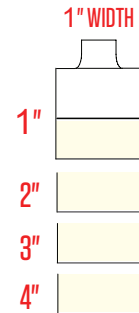
FOM Slim

PENDANT



Barbican's FOM Slim is our minimal take on the popular FOM linear series of products. The FOM Slim delivers performance lighting with a unique visual aesthetic, while maintaining low glare.

FOM Slim Pendant allows for individual straight and continuous straight, multi-luminaire configurations. FOM Slim brings a minimal form factor to the design without sacrificing light output or visual comfort thanks to the multi-sided lens and unique-to-Barbican PETG lens material delivering a soft diffusion. Fixtures at 2" and higher also deliver wider lateral distribution for increased fixture spacing and cost savings.



Available 4 height configurations

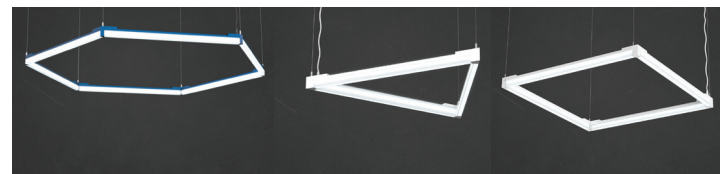
AVAILABLE CONFIGURATIONS / ADAPTORS / ACCESSORIES



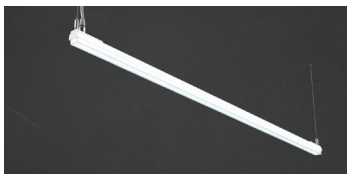
Pendant



L:inear Array



Preconfigured Hex, Triangle, Square/Rectangle



1" w x 1" h



1" w x 2" h



1" w x 3" h



1" w x 4" h

AVAILABLE FINISH OPTIONS

Metal



FOM Slim

PENDANT



SPECIFICATION

10 day quick-ship (see following pages for quick-ship information, limitations and requirements)

Fixture	Width	Height	Length	Mounting	Driver Location
27-01	1W				
27-01 FOM Slim	1W 1"	1H 1" 2H 2" 3H 3" 4H 4" CUSH Custom height <small>Consult factory</small>	24L 24" 30L 30" 36L 36" 42L 42" 48L 48" 54L 54" 60L 60" 66L 66" 72L 72" 78L 78" 84L 84" 90L 90" 96L 96"	ACM Aircraft Cable MSM Micro Stem	SRDL Surface Rectangular Canopy SEDL Surface Rectangular Side Entry RADL Remote Acoustic Ceiling RHDL Remote Hard Ceiling ADDL ACT Remote Driver FCDL Flush Ceiling

CUSL Custom length (Single Pendant or Linear Array)
 Available in a single fixture 1" increments between 12" and 120". Longer continuous runs available as standard in 1ft increments with a linear connector and flush seam (no light leak). See page 10 for details. Identify continuous lengths in inches (ie 20 ft would use ordering code of 240L).

Voltage	Canopy Finish	End Cap/Body Finish	Power Cable Finish	Color Temperature	Color Rendering
UNV					90CRI
UNV 120/277 Volts <small>Consult factory for other voltages</small>	WCF White BCF Black	WEC White BEC Black	WPC White BPC Black	White Sources 2700K 2700K 3000K 3000K 3500K 3500K 4000K 4000K 3000FS Full Spectrum 3000K 3500FS Full Spectrum 3500K <small>Full spectrum .95 reduced output contact factory</small> 2765K Tunable White* 2700K - 6500K CUSK Custom CT*	RGB / RGBW Sources RGBW RGBW* 90CRI 90+ CRI <small>Full Spectrum</small> <small>CRI is min 95+</small> <small>R1-R15</small> <small>CRI min 90+</small>

Delivered Output	Dimming Driver
<small>White Sources Static/Tunable</small> 0440LM Standard 440 lm/ft (4W/ft) 0660LM Standard 660 lm/ft (6W/ft) 0880LM Standard 880 lm/ft (8W/ft) CUSLM Custom Lumen Output* <small>200lm/ft - 1200lm/ft;</small> <small>Consult factory for outputs outside of this range</small>	<small>White Sources Static</small> S010V10 Standard 0-10V, 10% S010V01 Standard 0-10V, 1%, (dim to off) EDALI01 DALI control, 0.1% LECO01 Lutron Ecosystem, 1% SOFTB, (Soft-on, Fade-to-Black)
<small>RGB / RGBW Sources</small> 6WO Standard 6W/ft <small>See page 3 for efficiency, W/ft and output details</small>	<small>White Sources Tunable</small> TW010V Tunable White 2-Channel 0-10V TWDALI Tunable White DALI control LECOTW Lutron Ecosystem, 1%, Tunable White – T series <small>RGB / RGBW Sources</small> EDMX01 DMX, 0.1% CUSDD Other Driver Options <small>Consult factory for availability of other driver options (including POE and Camera Safe)</small>

FOM Slim

PENDANT



WRITTEN SPECIFICATIONS

LED System

- LED Circuitry is applied to minimum 0.0625" thick aluminum extruded top plate for excellent heat management.
- LEDs are 90+CRI, 3 SDCM.
- 4 foot fixture performance at 3500K 90CRI, 3520lms, 32.00 Watts, 110LPW Delivered

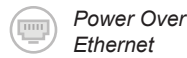
Construction

- Diffuser: 0.116" PETG (polyethylene terephthalate glycol-modified); which is a variant of PET used in water bottles everywhere. Designed to be used in environments where high levels of disinfectant products are used. It also has a much higher impact resistance than Acrylic and is available up to 10 feet in single lengths.
 - Barbican uses a proprietary diffusion formula PETG which in conjunction with the LED system provides excellent efficiencies of up to 110 lumens per watt at 3000K 90+ CRI.
- Metal construction to be aluminum minimum 0.0625" thickness. Fasteners are to be stainless steel.
- Cable grippers are nickel plated solid brass and stainless steel. Cables are 1/16" stainless steel.
- Canopies and driver housings are minimum 0.0625" aluminum.
- Cables are PVC Jacket with a PVC Free version available

Mounting

- Surface cable mounts are nickel plated solid brass and are supplied with escutcheon plates for through surface power cables. Power cables are low voltage from the canopy/remote mounted drivers.
- Drivers: All drivers are mounted remote from the fixture. Standard drivers include 0-10V 10% dimming 120/277V with Power Factor of >0.9. Barbican works with most Control and Driver manufacturers including POE and can easily modify the driver housings for special control gear. Fixtures over 96W may require more than one driver per fixture. Maximum standard length of lead is 12', longer lengths available, contact factory.
- Emergency fixtures are supplied with leads and KO for UL924 relays (by others). Battery back up will usually only drive one section in larger fixtures to maintain the 90 minute requirement. Maximum distance driver to fixture 15 feet.
- Labels: ETL US and Canada, CE Europe and Middle East (Dry, Damp indoor use only)
- Finish: Polyester Powder Coated standard, Hand Brushed Aluminum
- Lumen Maintenance: Reported L90 > 10,000hrs, Calculated > 60,000hrs (TM-21)
- Warranty: 5 years limited at 25 Celsius. Contact Barbican for additional information.
- Fixture is field repairable using factory supplied parts.
- Fixture can be returned to factory for recycling.

LABELS

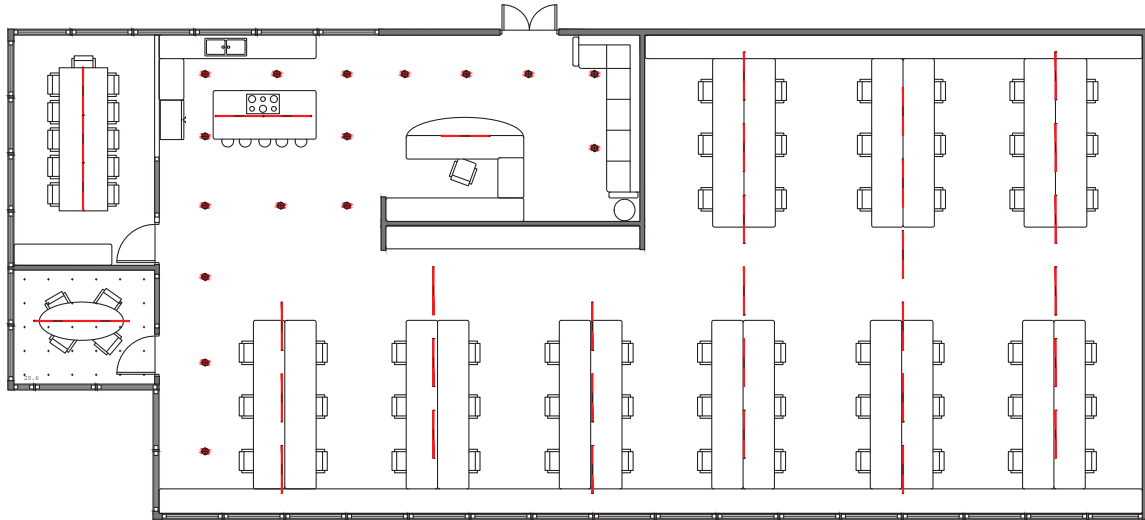


FOM Slim

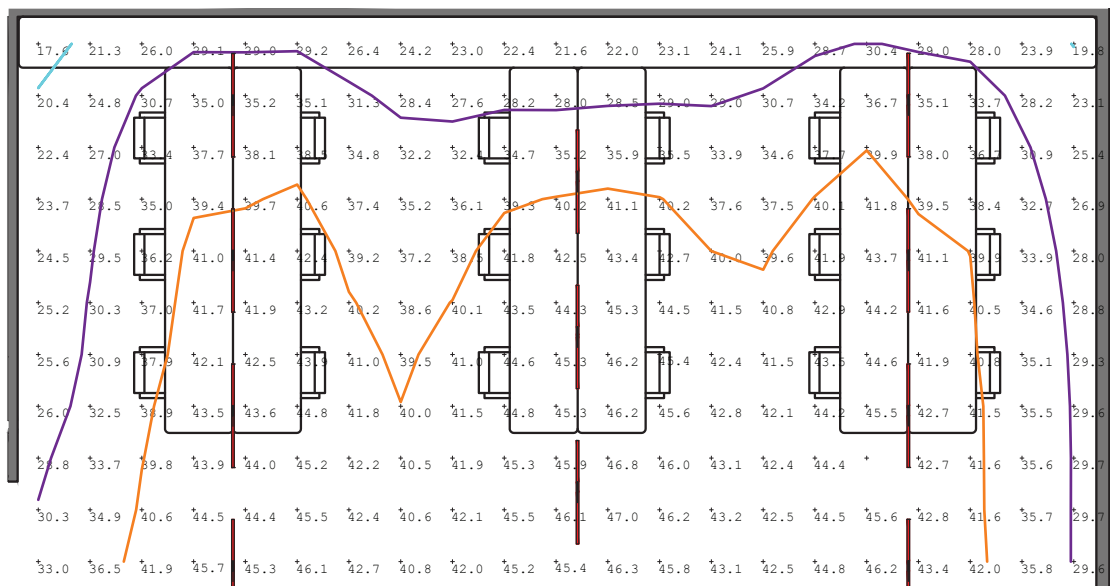
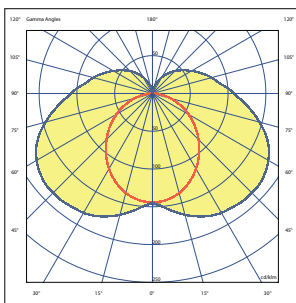
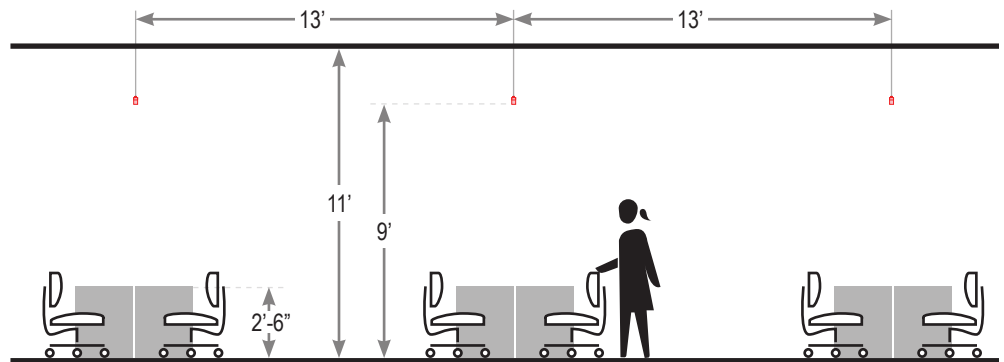
PENDANT



EXAMPLE LAYOUT



- Mounting Height: **9'-0" AFF**
- Workplane Height: **2'-6" AFF**
- Suspension Length: **2'-0"**
- Spacing: **13'-0"**
- Fixture Specs: **1" x 2"**
880 lm/ft (8W/ft)
3000K
- Reflectances (%): **80/50/20**
Ceiling/Wall/Floor
- Spacing Criteria: **1.4 to 1.5**
- Min/Max
(between fixtures) **1.14**



FOM Slim

PENDANT



EXAMPLE LAYOUT



POLAR CHARTS



1'w x 1'h



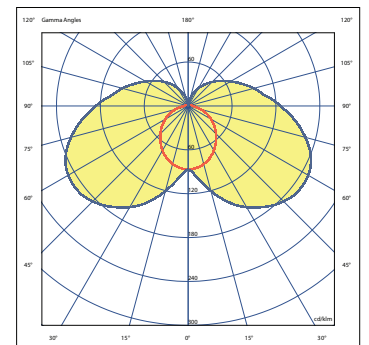
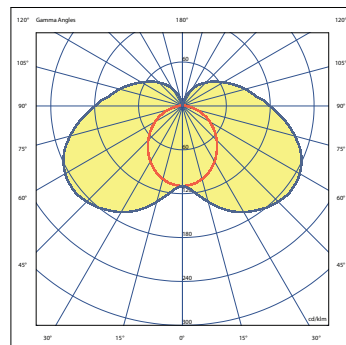
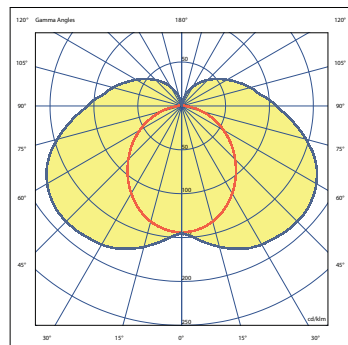
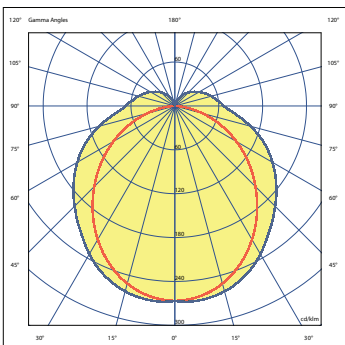
1'w x 2'h



1'w x 3h



1'w x 4'h



FOM Slim

PENDANT



APPLICATIONS



FOM Slim

PENDANT



APPLICATIONS



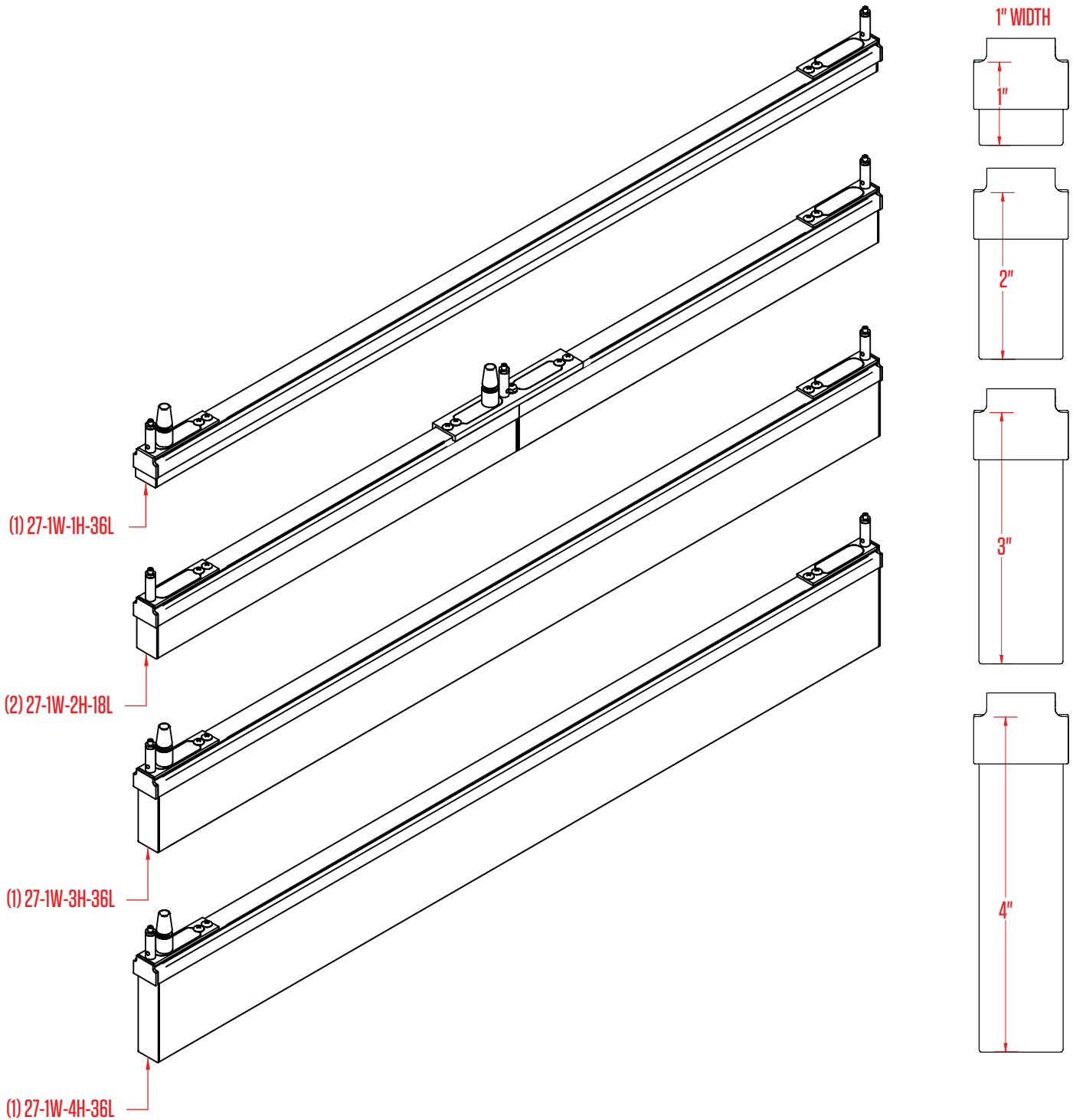
FOM Slim

PENDANT



FIXTURE CONFIGURATIONS

Standard Cross Sections and Example Linear Configurations

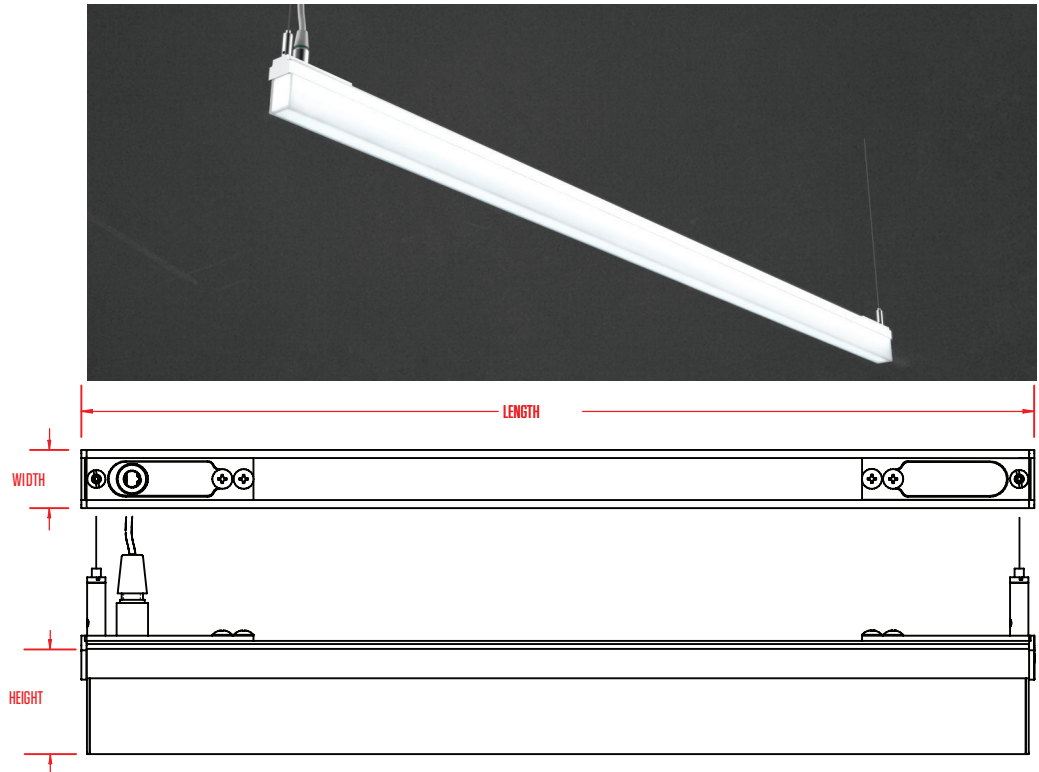


FOM Slim

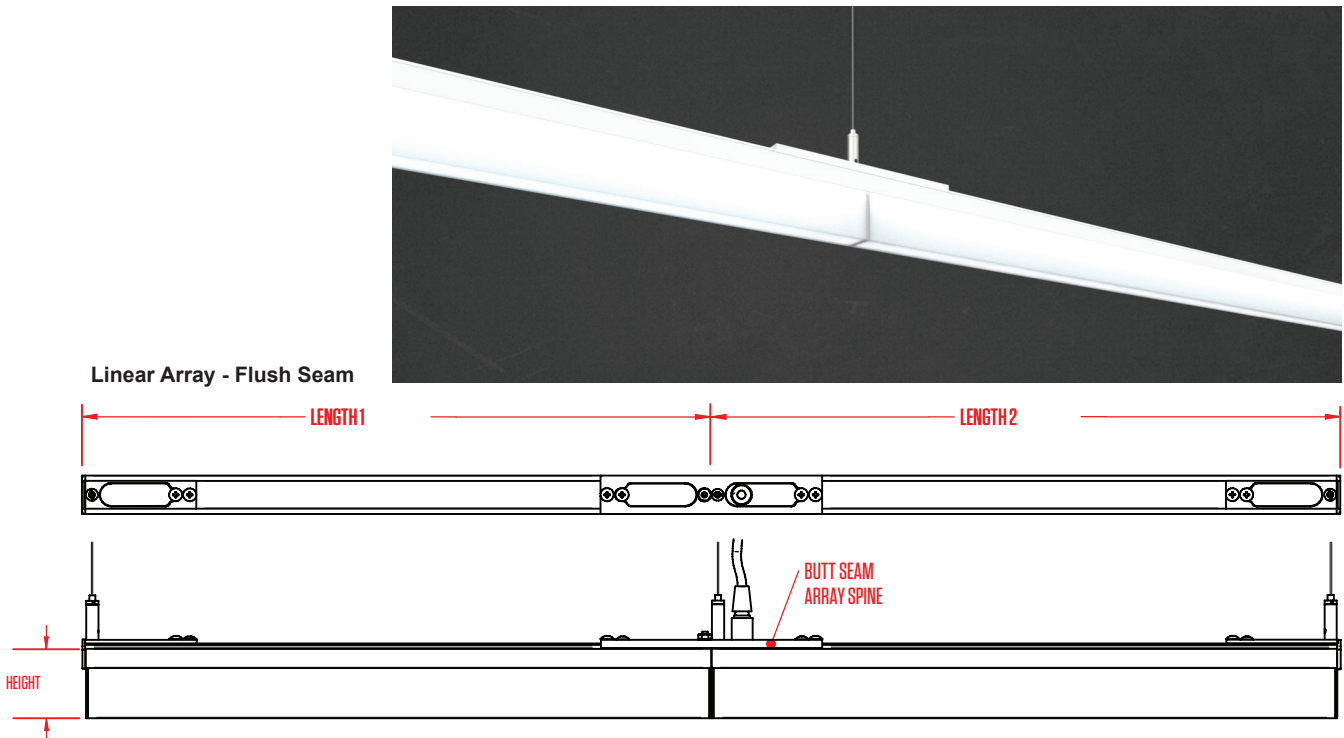
PENDANT

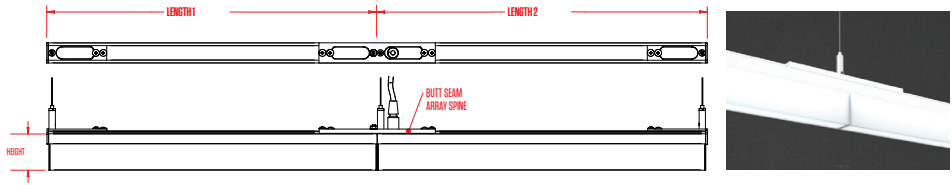
Straight Sections

Single Pendant



Linear Array - Flush Seam





Continuous Linear Run Breakdown

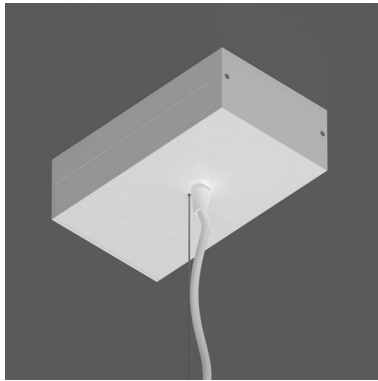
Row Length (order in inches)		Made Up Of						Length in Feet (for reference only)	
inches		fixture 1		fixture 2		fixture 3		fixture 4	feet
132	=	66"	+	66"					11
144	=	72"	+	72"					12
156	=	78"	+	78"					13
168	=	84"	+	84"					14
180	=	90"	+	90"					15
192	=	96"	+	96"					16
204	=	102"	+	102"					17
216	=	108"	+	108"					18
228	=	114"	+	114"					19
240	=	120"	+	120"					20
252	=	84"	+	84"	+	84"			21
264	=	90"	+	84"	+	90"			22
276	=	90"	+	96"	+	90"			23
288	=	96"	+	96"	+	96"			24
300	=	102"	+	96"	+	102"			25
312	=	102"	+	108"	+	102"			26
324	=	108"	+	108"	+	108"			27
336	=	114"	+	108"	+	114"			28
348	=	114"	+	120"	+	114"			29
360	=	120"	+	120"	+	120"			30
372	=	90"	+	96"	+	96"	+	90"	31
384	=	96"	+	96"	+	96"	+	96"	32
396	=	96"	+	102"	+	102"	+	96"	33
408	=	102"	+	102"	+	102"	+	102"	34
420	=	108"	+	102"	+	102"	+	108"	35
432	=	108"	+	108"	+	108"	+	108"	36
444	=	114"	+	108"	+	108"	+	114"	37
456	=	114"	+	114"	+	114"	+	114"	38
468	=	120"	+	114"	+	114"	+	120"	39
480	=	120"	+	120"	+	120"	+	120"	40

FOM Slim

PENDANT

SPECIFICATION DETAILS (cont.)

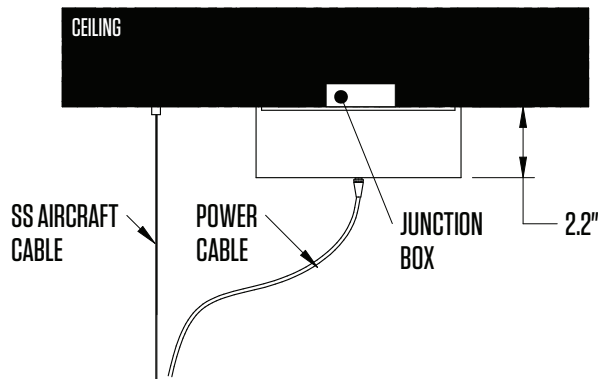
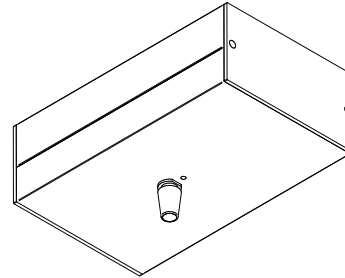
Surface Rectangular Canopy (SRDL)



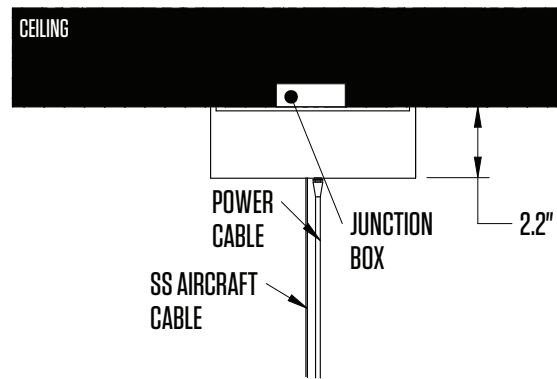
White Power Cord



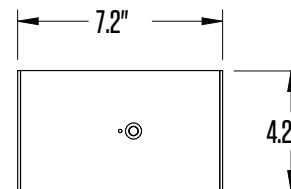
Black Power Cord



Offset Surface Ceiling Location Mounting Side View



Surface Ceiling Location Mounting Side View



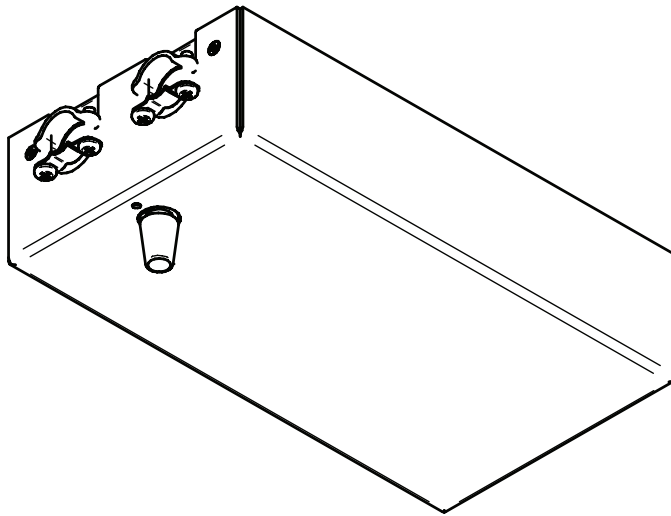
Surface Ceiling Location Mounting Bottom View

FOM Slim

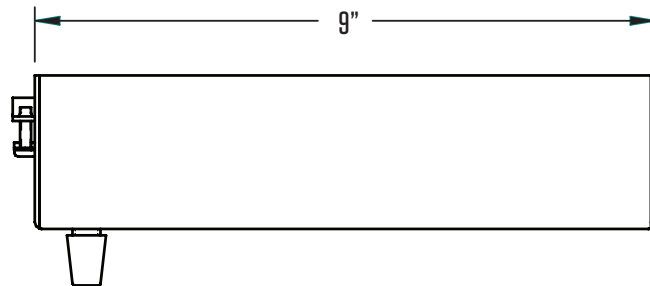
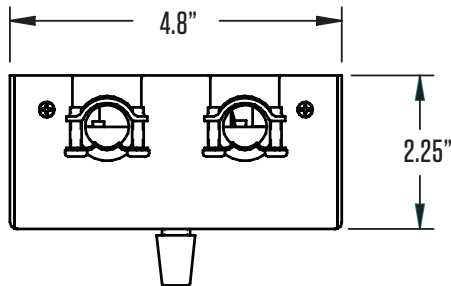
PENDANT

SPECIFICATION DETAILS (cont.)

Surface Canopy Side Entry (SEDL)



LINEAR CANOPY
Mounts to Hard Deck

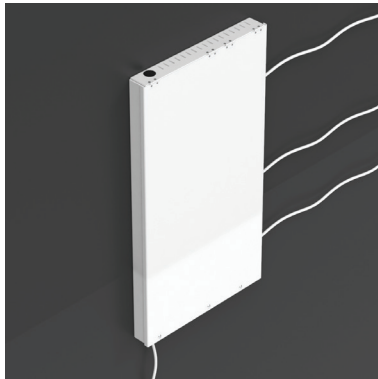


FOM Slim

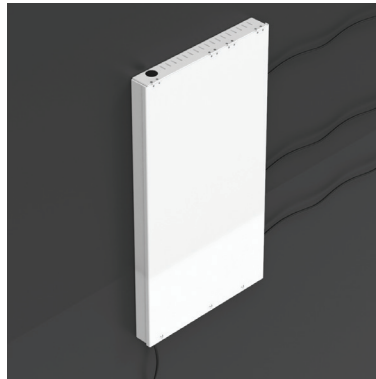
PENDANT

SPECIFICATION DETAILS (cont.)

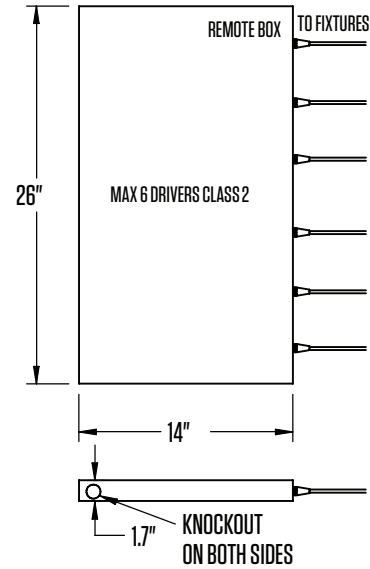
Remote Acoustic Ceiling Driver / Remote Hard Ceiling Driver (RADL / RHDL)



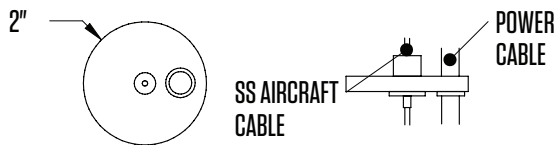
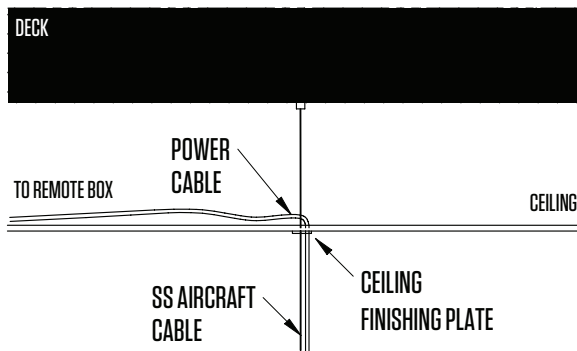
White Power Cord



Black Power Cord

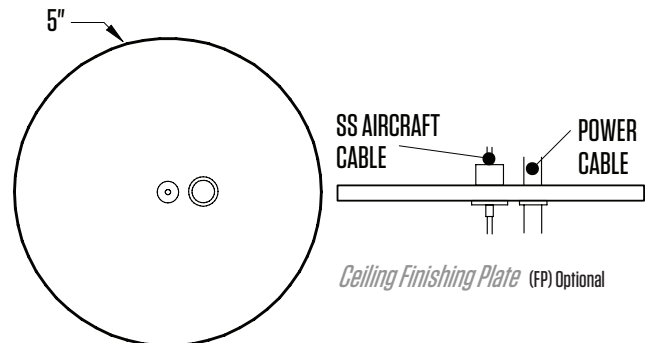
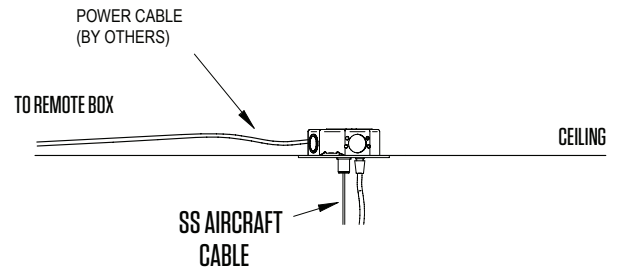


Acoustic Ceiling Power Supply Box Mounting Side View (RADL)



Ceiling Finishing Plate (FP) Optional

Solid Ceiling Power Supply Box Mounting Side View (RHDL)



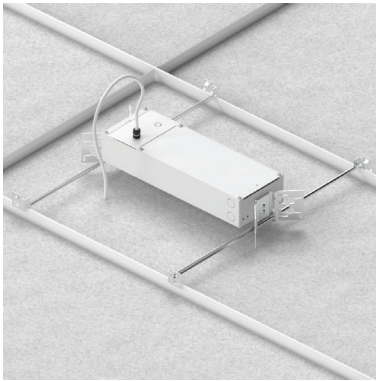
Ceiling Finishing Plate (FP) Optional

FOM Slim

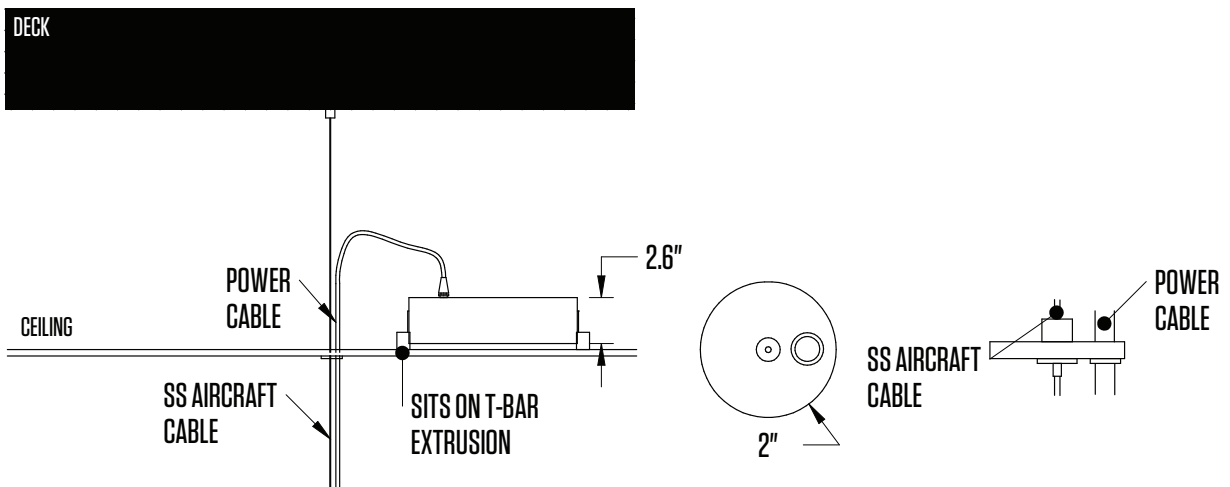
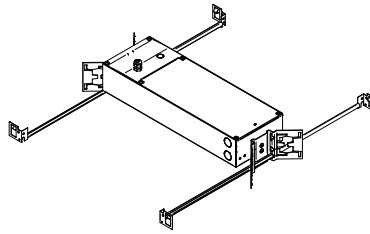
PENDANT

SPECIFICATION DETAILS (cont.)

ACT Remote Driver (ADDL)

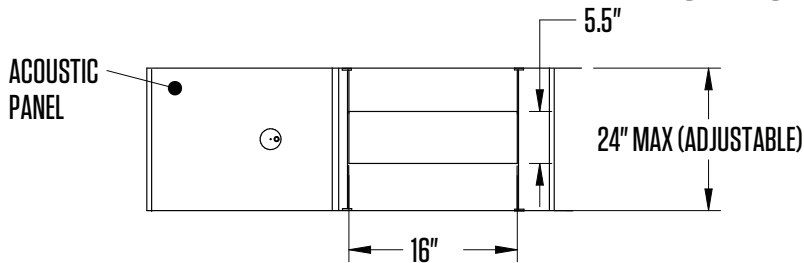


Driver Housing



Above Ceiling Location Mounting Side View

Ceiling Finishing Plate (FP) Optional



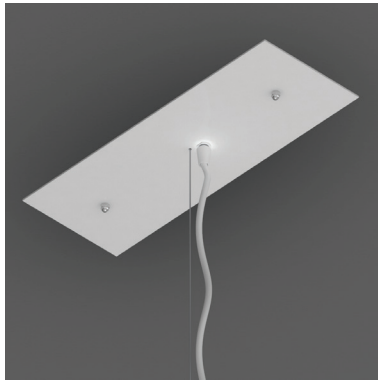
Above Ceiling Location Mounting Top View

FOM Slim

PENDANT

SPECIFICATION DETAILS (cont.)

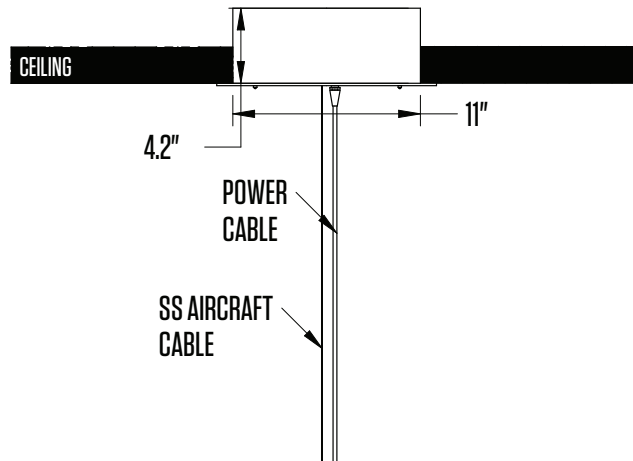
Flush Ceiling Canopy (FCDL)



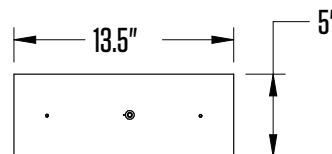
White Power Cord



Black Power Cord



Flush Ceiling Location Mounting Side View



Flush Ceiling Location Mounting Bottom View

FOM Slim

PENDANT



QUICK SHIP

 **10 day quick-ship** (see following pages for quick-ship information, limitations and requirements)

Barbican's Quick Ship program offers a **two-week (10 business day) lead time** for specific standard fixtures with select options. The standard fixtures in this program include HPC³ Straight, Drum, Halo, HPC, **HPC Lite and FOM**. See spec sheet and website for available options.

FOM is available in quantities **up to 50 fixtures per order**. Quick ship date will be confirmed at time of quotation if the order is placed within 5 working days. The order will be acknowledged within 24 hours of receipt of a clean PO. **A clean PO must include the correct catalog numbers, quantities and "Quick Ship" clearly identified.**

Lead time will be 10 business days from the acknowledgment date.

Larger quantities and additional options may be possible.

10 day lead time does not include factory Summer, Christmas or Government mandated shutdowns, statutory holidays (Canadian) or weekends. Change orders will affect lead time and may incur additional costs. Please consult factory.

Barbican cannot be held responsible for any delivery delays caused by the freight company after the product has left our facility. The freight company is solely responsible for any delays. Barbican will accommodate the customer's own freight company on request.

Note that Barbican may be able to ship other products in an expedited manner. Please consult Barbican for lead times.