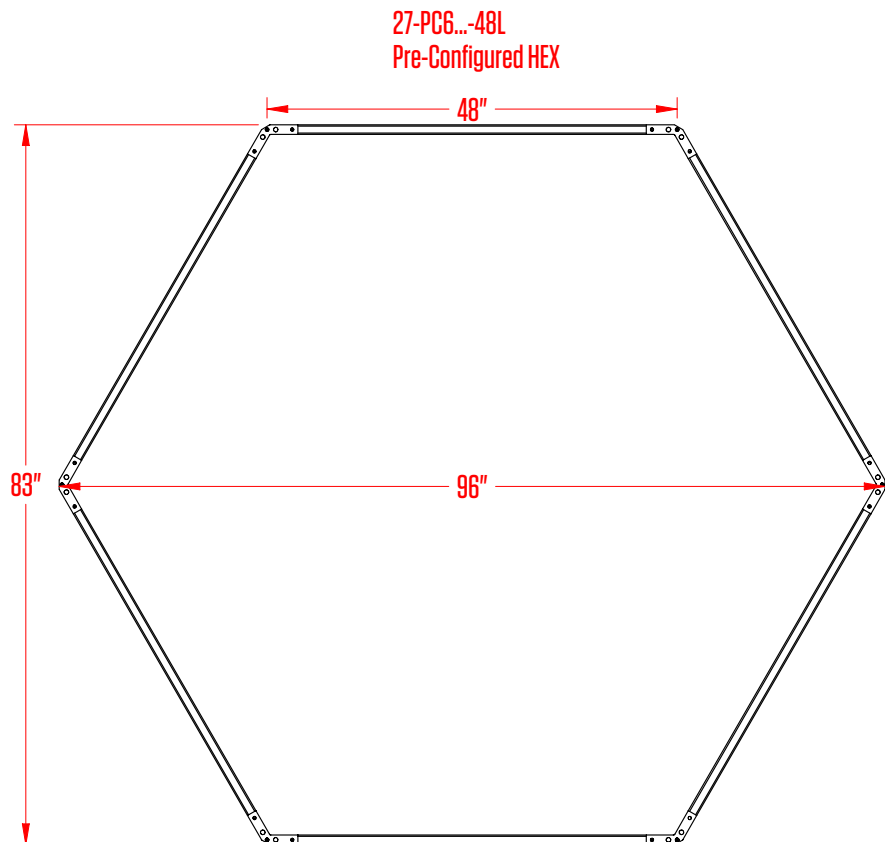
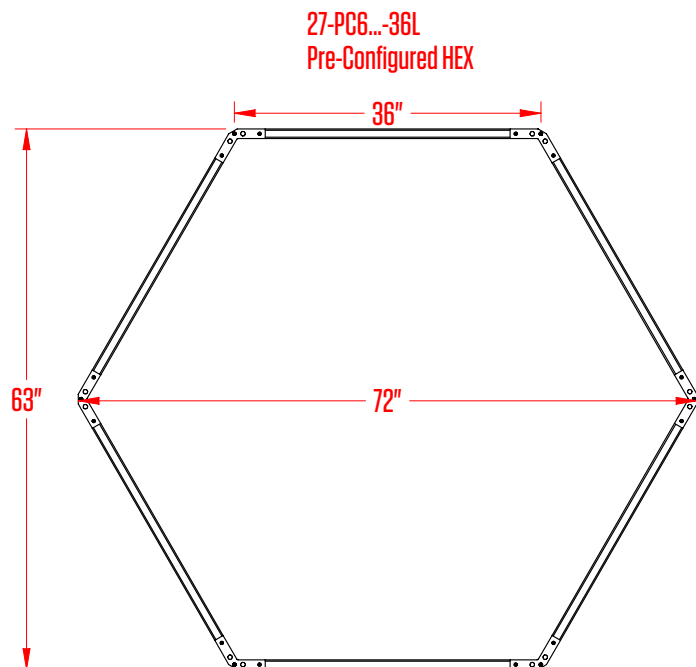
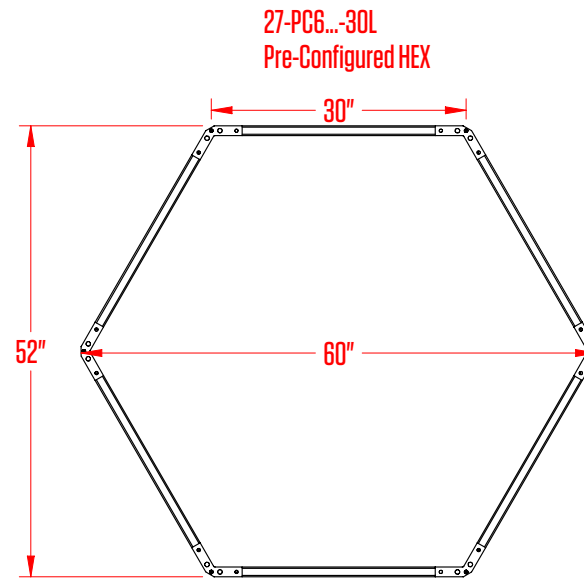
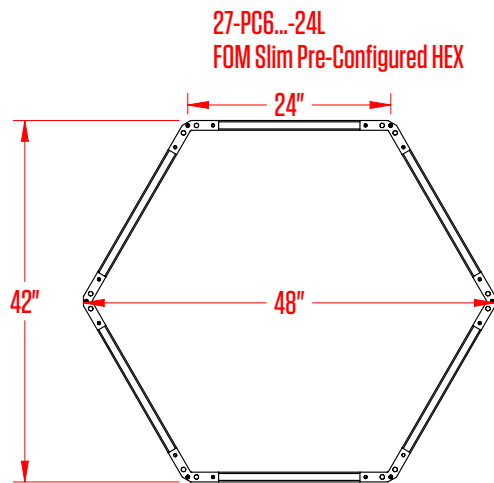


Section Length	Point to Point (nominal)	Flat to Flat (nominal)
24L 24"	48"	42"
30L 30"	60"	52"
36L 36"	72"	63"
48L 48"	96"	83"

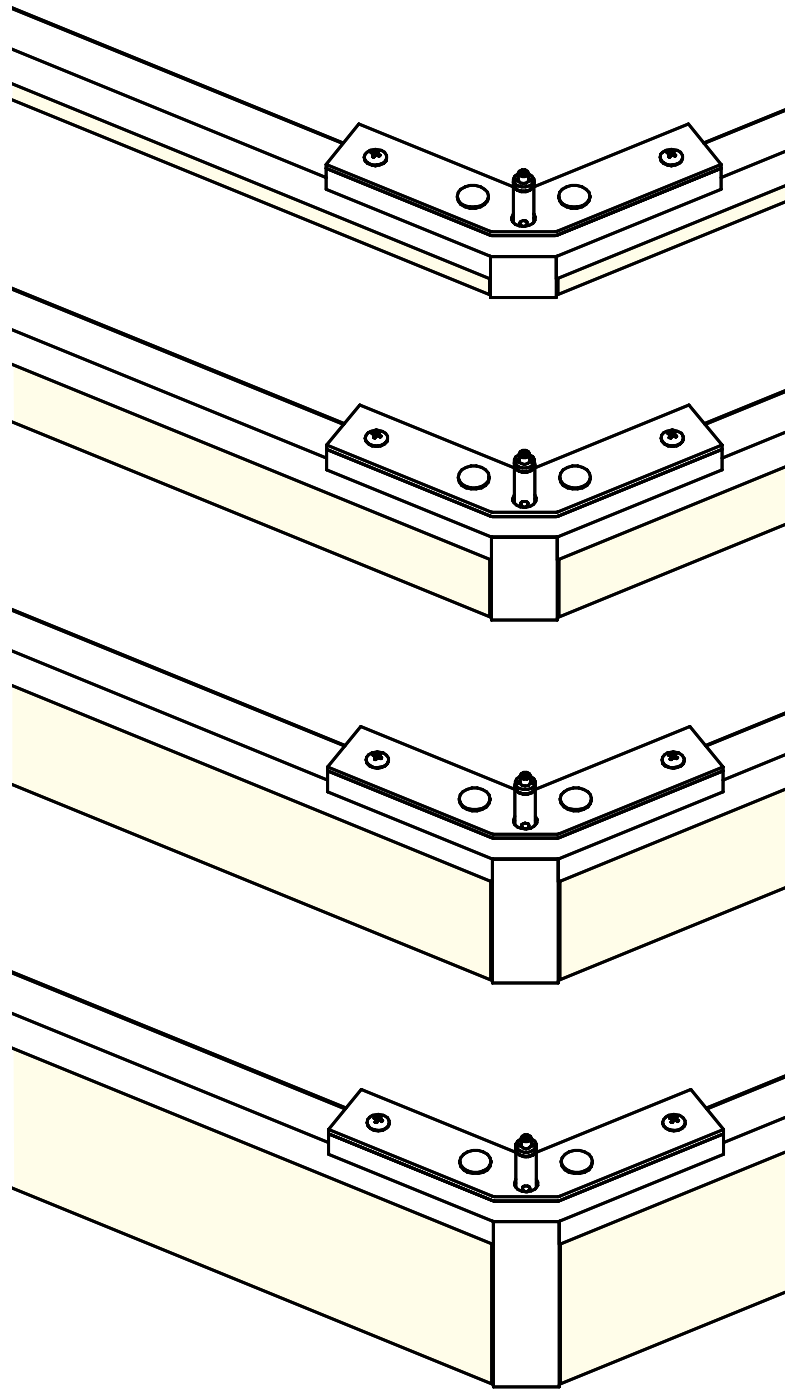


canada: 479 central avenue | fort erie, ontario | L2A 3T9
usa: 266 elmwood avenue, unit 386 | buffalo, new york | 14222
www.barbican.ca | 800 663 5781 | info@barbican.ca

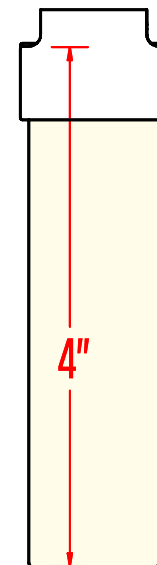
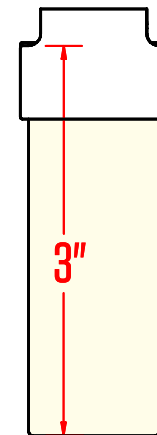
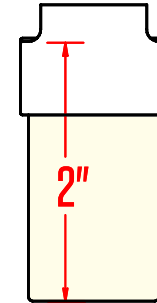
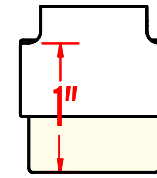
PRODUCT CODE: 27-PC6 (-1W-xH-48L...) with FELT (AR)

PRODUCT NAME: FOM Slim Preconfigured HEX

CONTACT: sales@barbican.ca



1" WIDTH



canada: 479 central avenue | fort erie, ontario | L2A 3T9
 usa: 266 elmwood avenue, unit 386 | buffalo, new york | 14222
www.barbican.ca | 800 663 5781 | info@barbican.ca

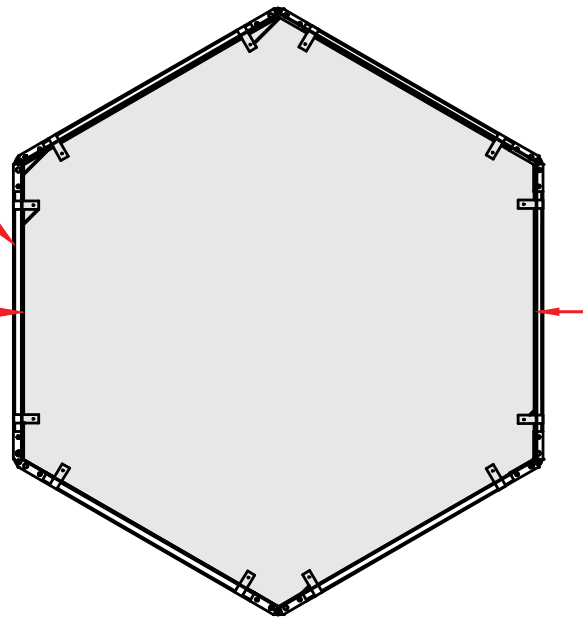
PRODUCT CODE: 27-PC6 (-1W-xH-48L...) with FELT (AR)

PRODUCT NAME: FOM Slim Preconfigured HEX

CONTACT: sales@barbican.ca

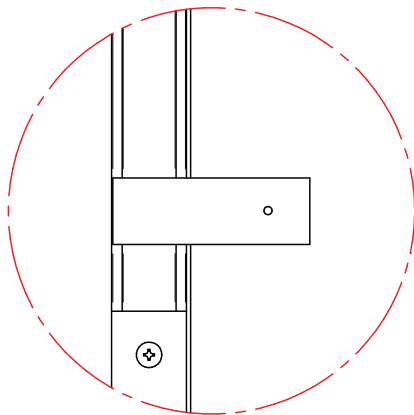
FOM Slim, xH, 24L

42" Spacing



SINGLE FELT

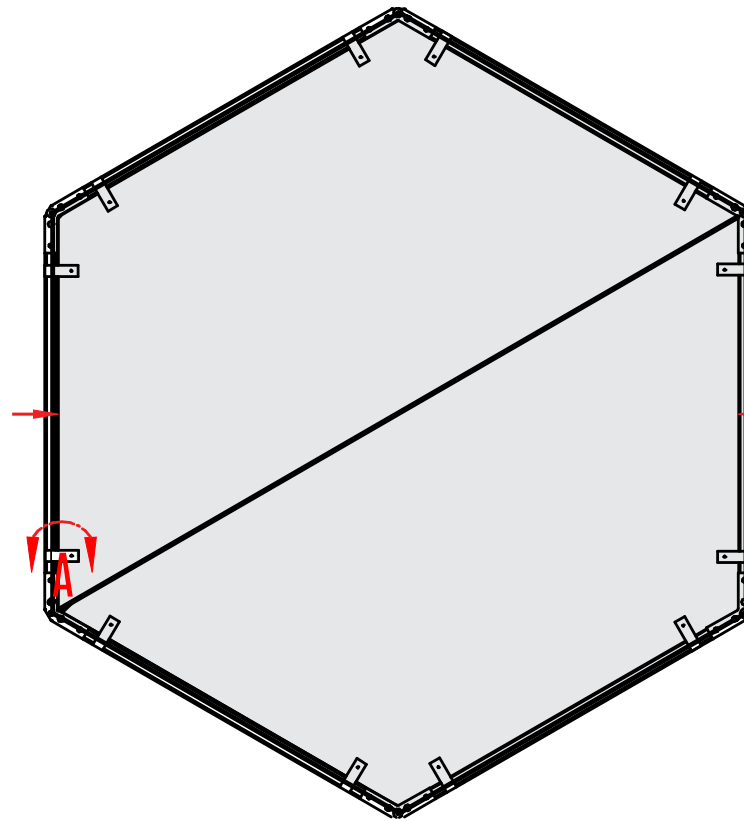
One Piece FELT on 24L
FOM section length



DETAIL A

FOM Slim, xH, 36L

60" Spacing



DOUBLE FELT

Two Piece FELT on
30L, 36L and 48L
FOM section length



canada: 479 central avenue | fort erie, ontario | L2A 3T9
usa: 266 elmwood avenue, unit 386 | buffalo, new york | 14222
www.barbican.ca | 800 663 5781 | info@barbican.ca

PRODUCT CODE: 27-PC6 (- 1W-xH-48L...) with FELT (AR)

PRODUCT NAME: FOM Slim Preconfigured HEX

CONTACT: sales@barbican.ca