

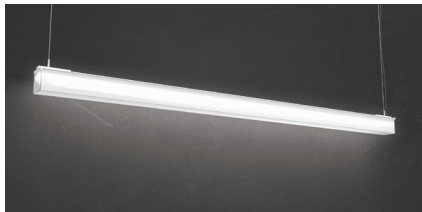


Barbican's FOM family checks all the boxes for use in general lighting applications where performance, aesthetic, scale, design and budget are a concern. 2-Core LED technology provides excellent low-glare performance by delivering soft and even illumination on walls, and work surfaces while providing subtle up lighting to avoid the 'cave effect' of direct only fixtures.

The **FOM** system allows for many configurations to fit any space you have. Using the FOM linear system is a cost effective alternative to traditional direct/indirect linear fixtures. Our multi-LED core on the direct side offers improved lateral light distribution for even horizontal light levels, as well as improved vertical illumination in a low glare and visually interesting form.



RELATED PRODUCT / ADAPTORS / ACCESSORIES



Single Pendant



Linear Array - Flush Seam



Linear Array - Connector Block



L-Corner



T-Corner



X-Corner

AVAILABLE FINISH OPTIONS

Metal



SPECIFICATION (1/2)

Fixture	Width	Height	Length	Mounting	Driver Location
25-05	<input type="text"/>	<input type="text"/>	<input type="text"/>	<input type="text"/>	<input type="text"/>
25-05 FOM Pentagon	5W 5"	5H 5"	12L 12"	ACM Aircraft Cable SFM Surface Mount* <i>Consult factory for surface mounting</i> * Requires "RD" Remote Driver option	SRDL Surface Rectangular Canopy SEDL Surface Rectangular Side Entry RADL Remote Acoustic Ceiling RHDL Remote Hard Ceiling ADDL ACT Remote Driver FCDL Flush Ceiling
	7W 7"	7H 7"	24L 24"		
			36L 36"		
			48L 48"		
			60L 60"		
		72L 72"			
		84L 84"			
		96L 96"			
		CUSL Custom length to 120" in 1" increments. Consult factory for oversized lengths			
	CUSW Custom width <i>Consult factory</i>	CUSH Custom height <i>Consult factory</i>			

Voltage	Canopy Finish	End Cap Finish	Ceiling Finishing Plate	Power Cable Finish	Color Temperature
UNV	<input type="text"/>	WEC	<input type="text"/>	<input type="text"/>	<input type="text"/>
UNV 120/277 Volts <i>Consult factory for other voltages</i>	WCF White BCF Black	WEC White	NOFP None WFP White BFP Black	WPC White BPC Black	<i>White Sources</i>
					2700K 2700K
	3000K 3000K	RGBW RGBW*			
	3500K 3500K				
	4000K 4000K				
	3000FS Full Spectrum 3000K				
	3500FS Full Spectrum 3500K				
	<i>Full spectrum .95 reduced output contact factory</i>				
	2765K Tunable White* 2700K - 6500K				
	CUSK Custom CT*				

Color Rendering	Delivered Output	Options Continued on Next Page
90CRI	<input type="text"/>	<input type="text"/>
90CRI 90+ CRI <i>Full Spectrum CRI is min 95+</i> <i>R1-R15 CRI min 90+</i>	<i>White Sources Static/Tunable</i>	<input type="text"/> <input type="text"/> <input type="text"/> <input type="text"/>
	0440LM Standard 440 lm/ft (4W/ft)	
	0660LM Standard 660 lm/ft (6W/ft)	
	0880LM Standard 880 lm/ft (8W/ft)	
	1100LM Standard 1100 lm/ft (10W/ft)	
	1320LM Standard 1320 lm/ft (12W/ft)	
	1760LM Standard 1760 lm/ft (16W/ft)	
	2200LM Standard 2200 lm/ft (20W/ft)	
	CUSLM Custom Lumen Output* 200lm/ft - 2200lm/ft; Consult factory for outputs outside of this range	
	<i>RGB / RGBW Sources</i>	
13WO Standard 13W/ft <i>See page 3 for efficiency, W/ft and output details</i>		
<i>Separate indirect light option available. Consult factory for details.</i>		

SPECIFICATION (2/2)

Dimming Driver

White Sources Static

- S010V10** Standard 0-10V, 10%
- S010V01** Standard 0-10V, 1%, (dim to off)
- EDALI01** DALI control, 0.1%
- LECO01** Lutron Ecosystem, 1% SOFTB, (Soft-on, Fade-to-Black)

White Sources Tunable

- TW010V** Tunable White 2-Channel 0-10V
- TWDALI** Tunable White DALI control
- LECOTW** Lutron Ecosystem, 1%, Tunable White – T series

RGB / RGBW Sources

- EDMX01** DMX, 0.1%
- CUSDD** Other Driver Options
Consult factory for availability of other driver options (including POE and Camera Safe)

Modular Configuration*

- NOMC MC** No Configuration Configuration
Drawings Required.
- * See following pages for corners and configuration options*

Configuration Adaptors*

- NOCA** No Adaptor
- LPGCA** Linear Purpose Gap
- LNGCA** Linear No Gap
- 90LCA** 90° L-Corner**
- 90TCA** 90° T-Corner**
- 90XCA** 90° X-Corner**
- CUSCA** Custom Corner
Consult factory
- * Drawings Required*
- Finishes match End Cap Finish*
- ** Quantity Required*

WRITTEN SPECIFICATIONS

LED System

- LED Circuitry is applied to minimum 0.0625" thick aluminum extruded top plate for excellent heat management. Fixture uses **Two-Core Technology** to provide efficient, even illumination through 270 degrees.
- LEDs are 90+CRI, 3 SDCM.
- 4 foot fixture performance at 3000K 90CRI, 6896lms, 61.44 Watts, 112 LPW Delivered

Construction

- Diffuser: 0.116" PETG (polyethylene terephthalate glycol-modified); which is a variant of PET used in water bottles everywhere. Designed to be used in environments where high levels of disinfectant products are used. It is also has a much higher impact resistance than Acrylic and is available up to 10 feet in single lengths.
 - Barbican uses a proprietary diffusion formula PETG which in conjunction with the LED system provides excellent efficiencies of up to 112 lumens per watt at 3000K 90+ CRI.
- Metal construction to be aluminum minimum 0.0625" thickness. Fasteners are to be stainless steel.
- Cable grippers are nickel plated solid brass and stainless steel. Cables are 1/16" stainless steel.
- Canopies and driver housings are minimum 0.0625" aluminum.

Mounting

- Surface cable mounts are nickel plated solid brass and are supplied with escutcheon plates for through surface power cables. Power cables are low voltage from the canopy/remote mounted drivers.
- **Drivers:** All drivers are mounted remote from the fixture. Standard drivers include 0-10V 10% dimming 120/277V with Power Factor of >0.9. Barbican works with most Control and Driver manufacturers including POE and can easily modify the driver housings for special control gear. Fixtures over 96W may require more than one driver per fixture. Maximum standard length of lead is 12', longer lengths available, contact factory.
- Emergency fixtures are supplied with leads and KO for UL924 relays (by others). Battery back up will usually only drive one of two cores in larger fixtures to maintain the 90 minute requirement. Maximum distance driver to fixture 15 feet.
- **Labels:** ETL US and Canada, CE Europe and Middle East (Dry, Damp indoor use only)
- **Finish:** Polyester Powder Coated standard, Hand Brushed Aluminum
- **Lumen Maintenance:** Reported L90 > 10,000hrs, Calculated > 60,000hrs (TM-21)
- **Warranty:** 5 years limited at 25 Celsius. Contact Barbican for additional information.

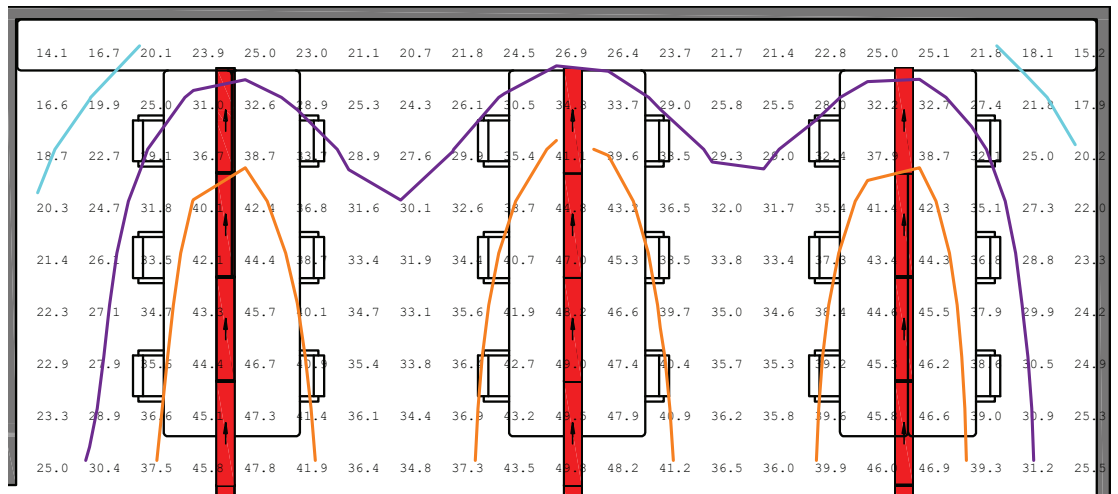
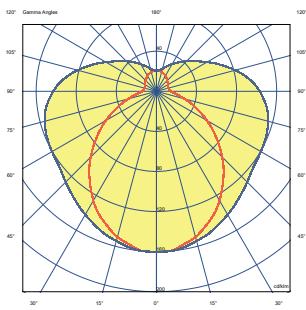
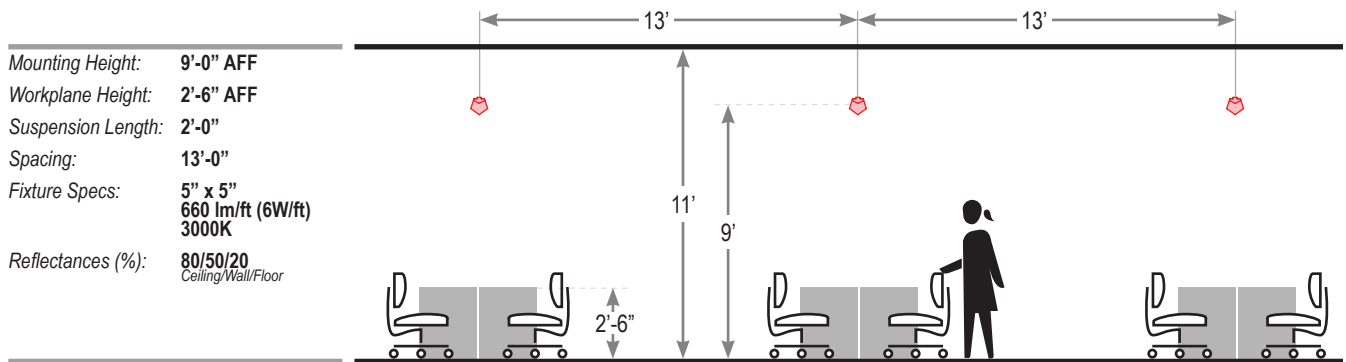
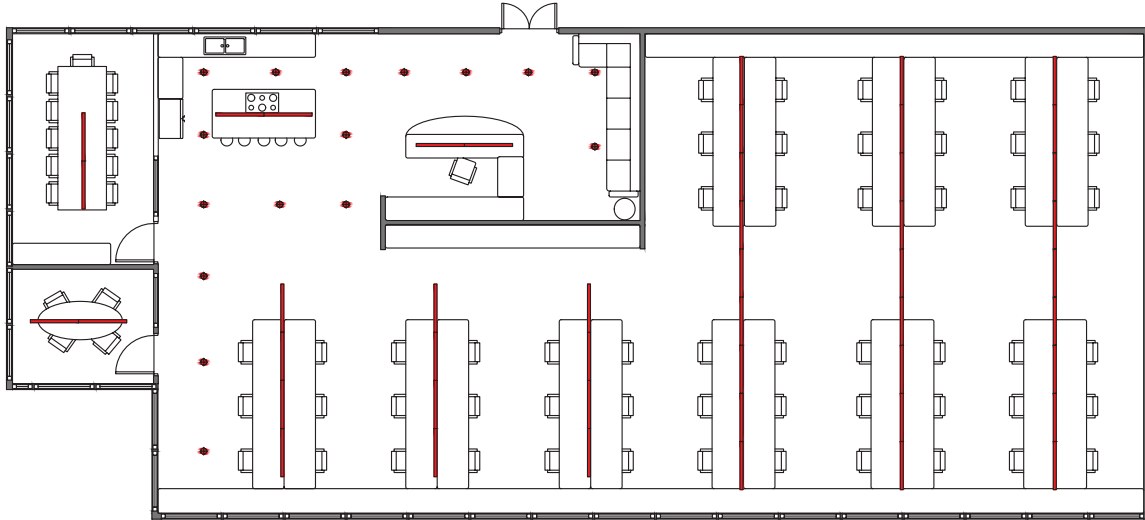
Other

- Natatorium rating possible. Consult factor for details.

LABELS



EXAMPLE LAYOUT (1/2)

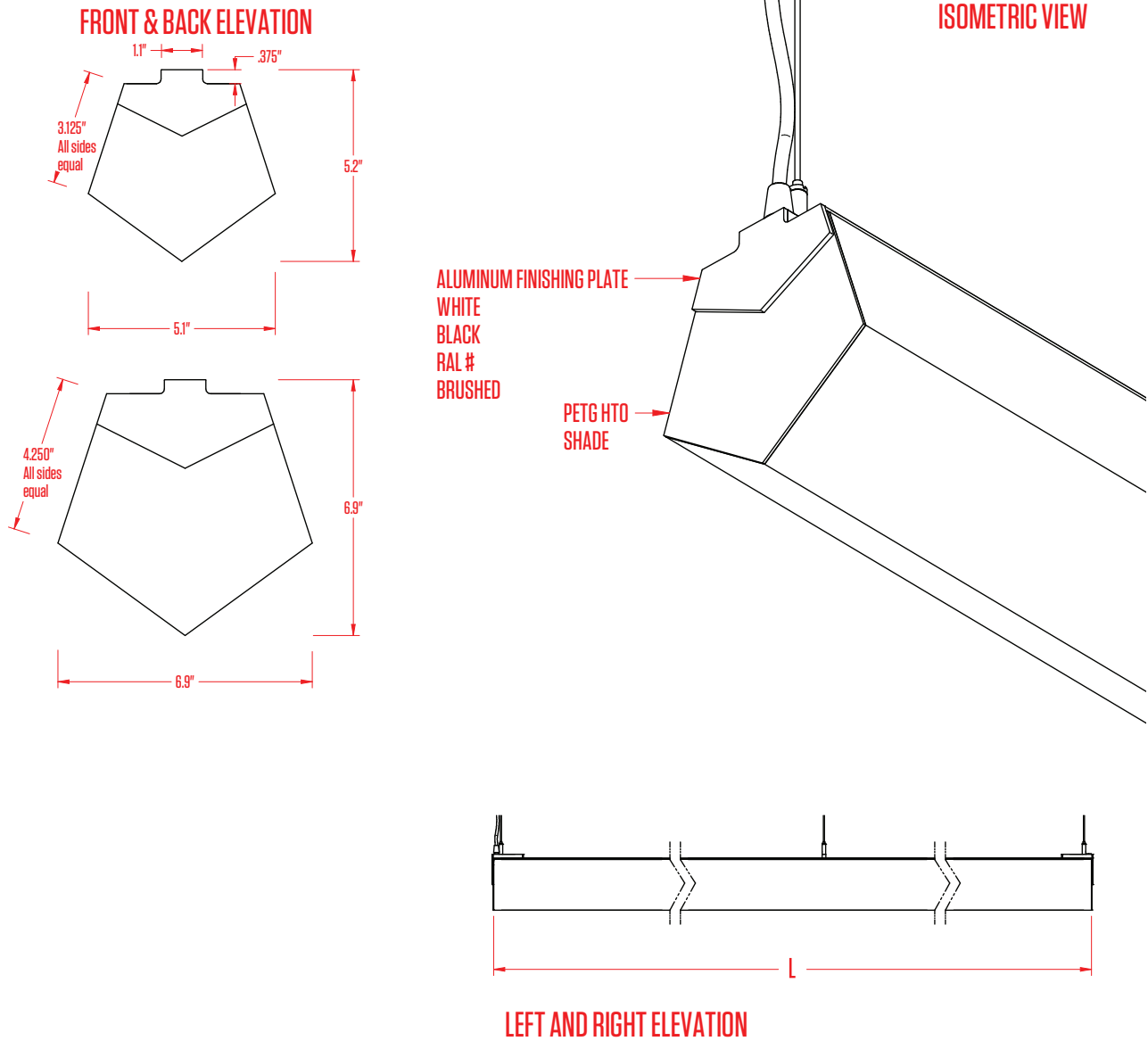


APPLICATIONS



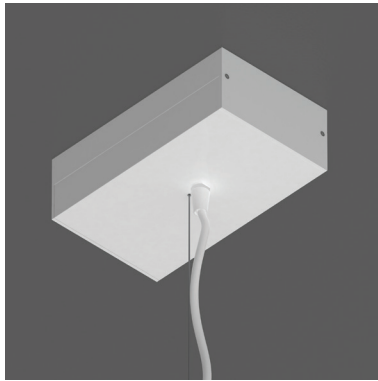
FIXTURE CONFIGURATIONS

Standard Cross Sections



SPECIFICATION DETAILS (cont.)

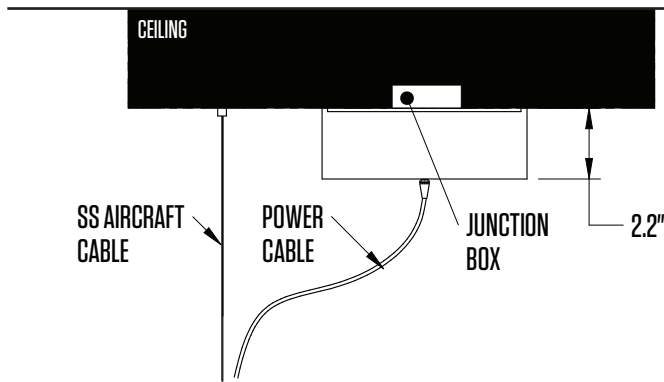
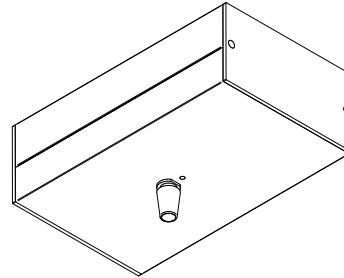
**Surface Canopy
(SRDL)**



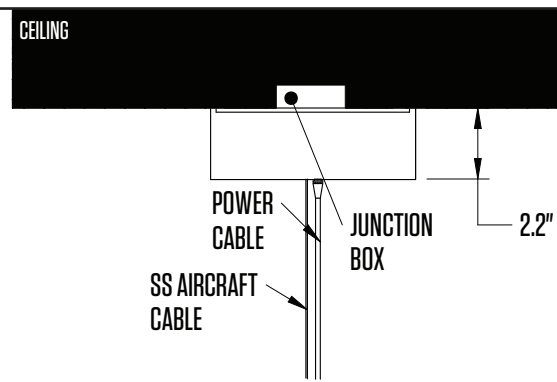
White Power Cord



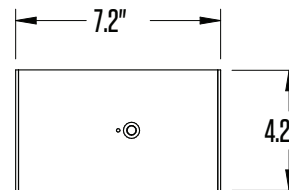
Black Power Cord



Offset Surface Ceiling Location Mounting Side View



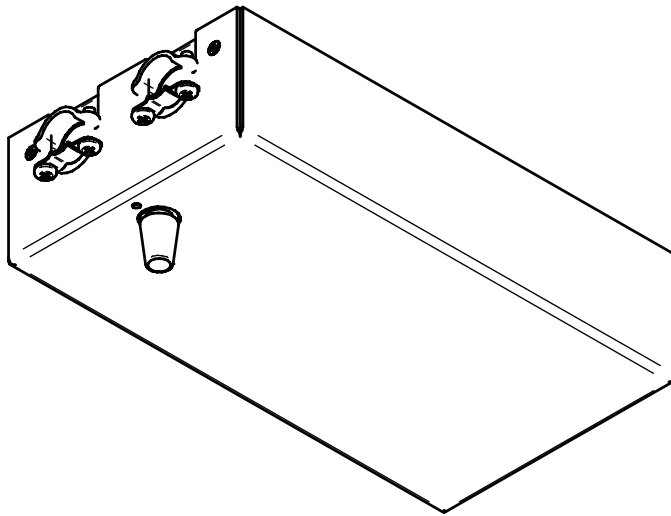
Surface Ceiling Location Mounting Side View



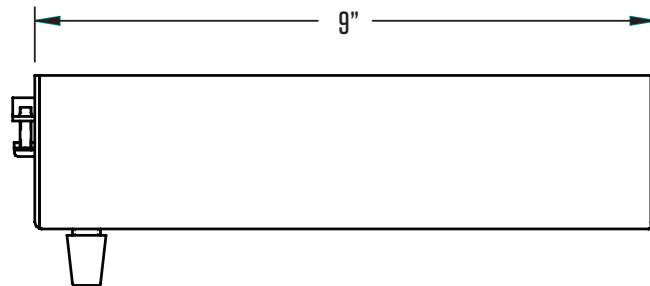
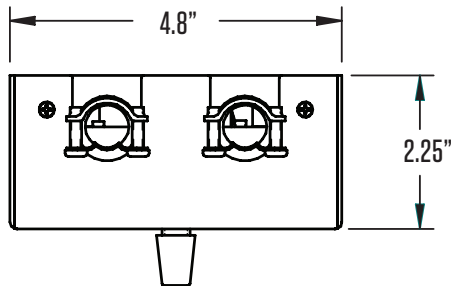
Surface Ceiling Location Mounting Bottom View

SPECIFICATION DETAILS (cont.)

**Surface Rectangular Side Entry
(SEDL)**

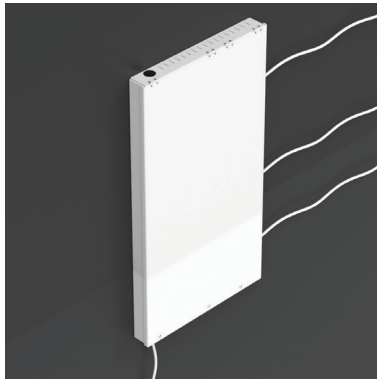


LINEAR CANOPY
Mounts to Hard Deck

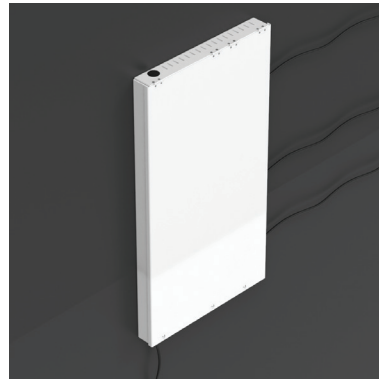


SPECIFICATION DETAILS (cont.)

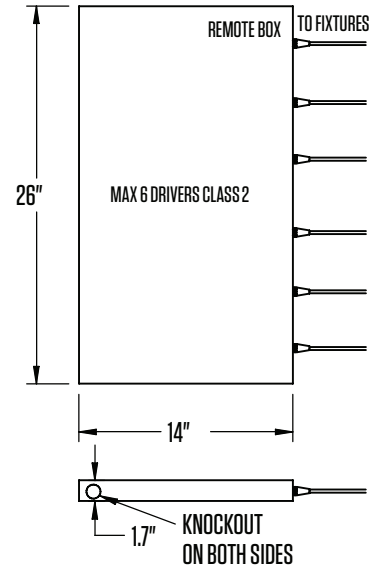
Remote Acoustic Ceiling Driver / Remote Hard Ceiling Driver (RADL / RHDL)



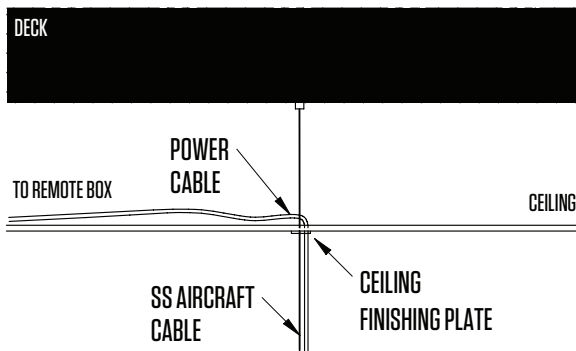
White Power Cord



Black Power Cord

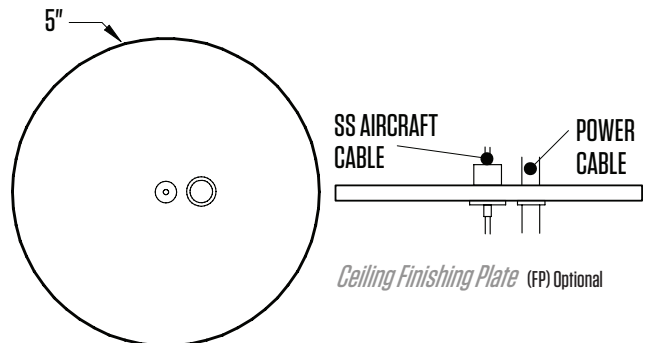
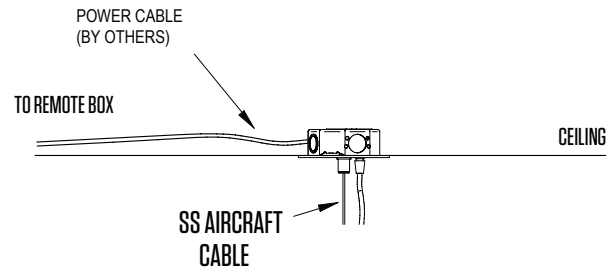


Acoustic Ceiling Power Supply Box Mounting Side View (RADL)



Ceiling Finishing Plate (FP) Optional

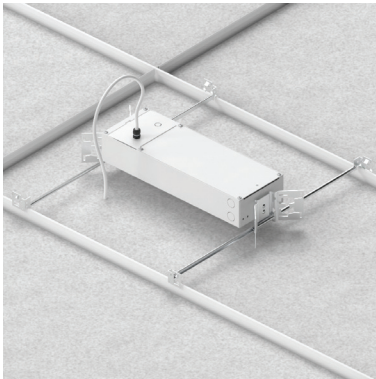
Solid Ceiling Power Supply Box Mounting Side View (RHDL)



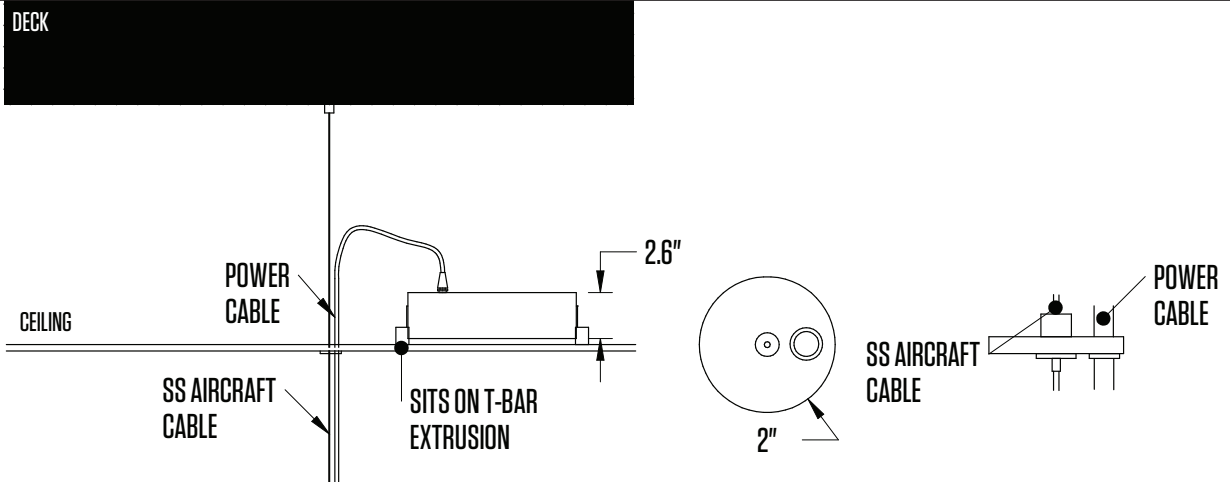
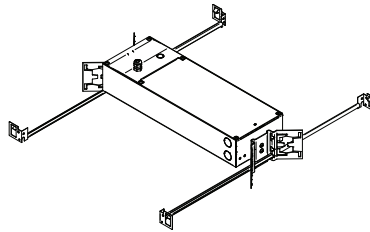
Ceiling Finishing Plate (FP) Optional

SPECIFICATION DETAILS (cont.)

**ACT Remote
Driver (ADDL)**

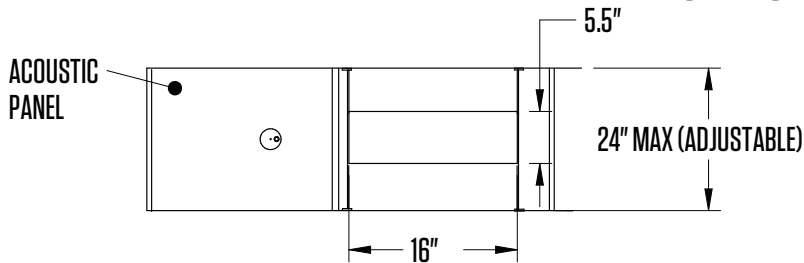


Driver Housing



Above Ceiling Location Mounting Side View

Ceiling Finishing Plate (FP) Optional



Above Ceiling Location Mounting Top View

SPECIFICATION DETAILS (cont.)

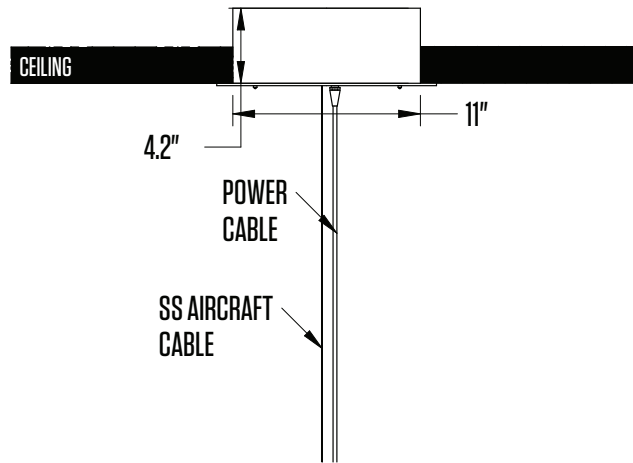
**Flush Ceiling Canopy
(FCDL)**



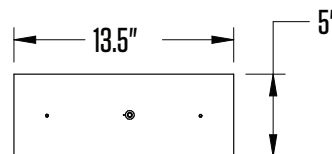
White Power Cord



Black Power Cord



Flush Ceiling Location Mounting Side View



Flush Ceiling Location Mounting Bottom View