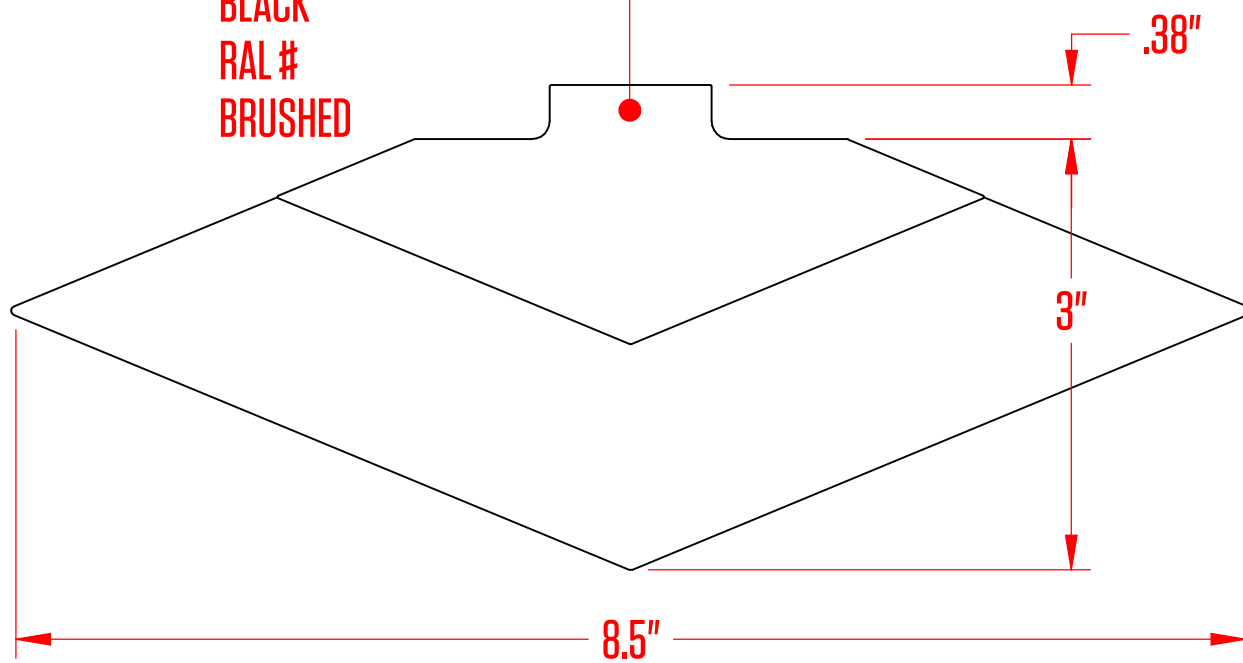
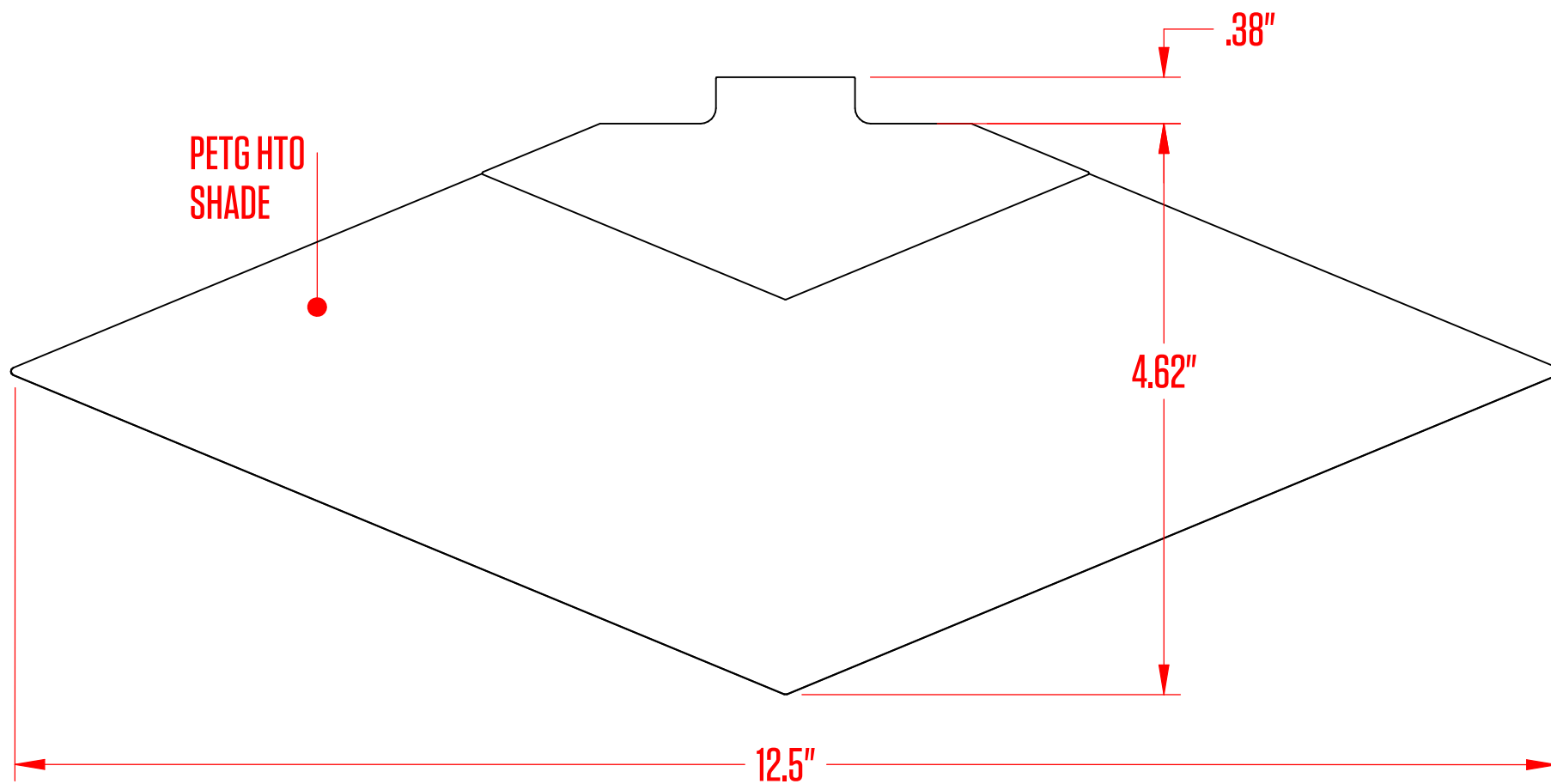


ALUMINUM FINISHING PLATE  
WHITE  
BLACK  
RAL #  
BRUSHED



PETG HTO  
SHADE



canada: 479 central avenue | fort erie, ontario | L2A 3T9  
usa: 266 elmwood avenue, unit 386 | buffalo, new york | 14222  
www.barbican.ca | 800 663 5781 | info@barbican.ca

PRODUCT CODE:	25-FOM
PRODUCT NAME:	DIAMOND FOM
CONTACT:	Sales@barbican.ca