

BIFROST TOWER

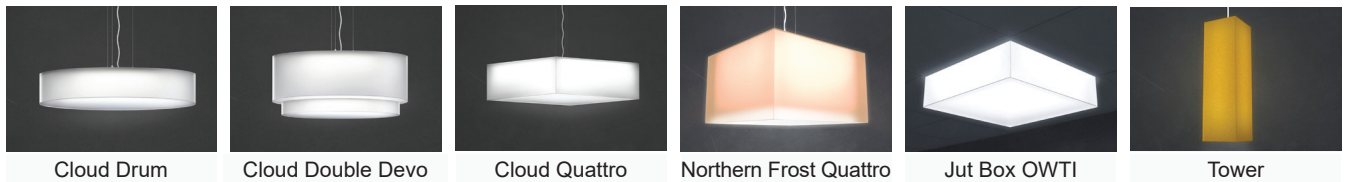
PENDANT



Barbican's new bifrost lineup is the evolution of our traditionally popular laminated fabric fixtures. The bifrost option replaces our normal luminous colored sides with a new opal diffused lens option with a subtle texture that allows for the same look and light diffusion on the bottom lens and the side of the fixture. Bifrost luminaires still carry a clearly defined three-dimensional shape, but with no visible housing and a soft, uniform luminous glow in multiple shapes and sizes to elevate the space beyond solid-sided, flat-lensed fixtures.

Towers are defined as a structure that is taller than it is wide, and that is exactly what our Tower pendant is. Manufactured using Barbican's new bifrost shade material ensures that the shade is durable, cleanable, and less prone to damage during installation and day to day interactions than traditional fabric shades. Like many of our other fixtures, the Tower has a variety of size, height, and lumen outputs to get the right proportion and right light levels for your space.

RELATED FIXTURES



Cloud Drum

Cloud Double Devo

Cloud Quattro

Northern Frost Quattro

Jut Box OWTI

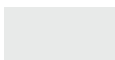
Tower

AVAILABLE FINISH OPTIONS

HTO



Metal



BIFROST TOWER

PENDANT



SPECIFICATION (1/2)

Fixture	Square	Height	Shade Finish	Diffuser	Mounting
17-2201	<input type="text"/> W=L	<input type="text"/>	<input type="text"/>	HTO	<input type="text"/>
17-2201 Bifrost Tower	4SQ 4" square 6SQ 6" square 8SQ 8" square	24H 24" 36H 36" 48H 48" 72H 72" 96H 96" CUSH Custom Height <i>Consult factory</i>	OP Opal	HTO Opal	ACM Aircraft Cable * <i>Standard length 120"</i> STM Stem Mount <i>Standard length 48"</i> CUSM Custom <i>Consult factory</i> <i>Length is field adjustable.</i> <i>* Remote with escutcheons contact factory for maximum cable lengths</i>

Driver Location	Voltage	Power Cable Finish	Stem/Canopy Finish	Color Temperature
<input type="text"/>	UNV	<input type="text"/>	<input type="text"/>	<input type="text"/>
SCDL Surface Circular Canopy SSDL Surface Circular Side Entry RDDL Remote Driver ADDL ACT Remote Driver FCDL Flush Ceiling CUSDL Custom Driver	UNV 120/277 Volts <i>Consult factory for other voltages</i>	WPC White BPC Black	WCF White BCF Black ACF Brushed Aluminum RAL Custom <i>RAL North America; Consult factory</i>	<i>White Sources</i> 2700K 2700K 3000K 3000K 3500K 3500K 4000K 4000K 3000FS Full Spectrum <i>3000K</i> 3500FS Full Spectrum <i>3500K</i> 2765K Tunable White* CUSK Custom CT*

Color Rendering	Delivered Output	Dimming Driver
90CRI	<input type="text"/>	<input type="text"/>
90CRI 90+ CRI <i>Full Spectrum: Min 95+ CRI Min R1-R15 90+ Rf 95 Rg 105</i>	<i>White Sources Static/Tunable</i> 0800LM Standard 800 lm/ft (8W/ft) <i>standard for 4"</i> 1200LM Standard 1200 lm/ft (12W/ft) <i>standard for 6"</i> CUSLM Custom Lumen Output* <i>600lm/ft - 4800lm/ft; Consult factory for outputs outside of this range</i> <i>* Maximum output varies by diameter 4" - 1600 lm/ft (16W/ft) 6" - 1600 lm/ft (16W/ft)</i>	<i>White Sources Static</i> S010V10 Standard 0-10V, 10% S010V01 Standard 0-10V, 1%, (dim to off) EDALI01 DALI control, 0.1% LECO01 Lutron Ecosystem, 1% SOFTB, (Soft-on, Fade-to-Black) <i>White Sources Tunable</i> TW010V Tunable White 2-Channel 0-10V TWDALI Tunable White DALI control LECOTW Lutron Ecosystem, 1%, Tunable White - T series

BIFROST TOWER

PENDANT



WRITTEN SPECIFICATIONS

LED System

- LED Circuitry is applied to minimum 0.0625" thick aluminum modules for excellent heat management. Modules are removeable for maintenance and are 90% recyclable.
- LEDs are 90+CRI, 3 SDCM.

Construction

- Side Diffuser: Wet Laminated PETG (polyethylene terephthalate glycol-modified); which is a variant of PET used in water bottles everywhere. Designed to be used in environments where high levels of disinfectant products are used. It is also has a much higher impact resistance than Acrylic.
 - Barbican uses a proprietary diffusion formula PETG which in conjunction with the LED system provides excellent efficiencies of up to 95 lumens per watt at 3000K 90+ CRI.
- Metal construction to be aluminum minimum 0.0625" thickness. Fasteners are to be stainless steel.
- Cable grippers are nickel plated solid brass and stainless steel. Cables are 1/16" stainless steel.
- Canopies and driver housings are minimum 0.0625" aluminum.
- Barbican's Drum fixtures comes standard with the shade and light engine fully enclosed to protect from ingress of dirt, dust and other site conditions.

Mounting

- Power cables are low voltage from the canopy drivers.
- Drivers: All drivers are mounted in the canopy. Standard drivers include 0-10V 10% dimming 120/277V with Power Factor of >.9. Barbican works with most Control and Driver manufacturers including POE and can easily modify the driver housings for special control gear. Fixtures over 96W may require more than one driver per fixture.
- Emergency fixtures are supplied with leads and KO for UL924 relays (by others). Battery back up will usually only drive one or two of the cores in larger fixtures to maintain the 90 minute requirement. Maximum distance driver to fixture 15 feet.
- Labels: ETL US and Canada, CE Europe and Middle East (Dry, Damp indoor use only)
- Finish: Polyester Powder Coated standard, Hand Brushed Aluminum
- Lumen Maintenance: Reported L90 > 10,000hrs, Calculated > 60,000hrs (TM-21)
- Warranty: 5 years limited at 25 Celsius. Contact Barbican for additional information.

LABELS



ETL/CE
Listed



Dry/Damp
Rated



5
Years
Warranty



Power Over
Ethernet



Washable



Tunable
White



RGBW
Color Tuning



Full
Spectrum

BIFROST TOWER

PENDANT



APPLICATIONS



BIFROST TOWER

PENDANT



APPLICATIONS



BIFROST TOWER

PENDANT



APPLICATIONS

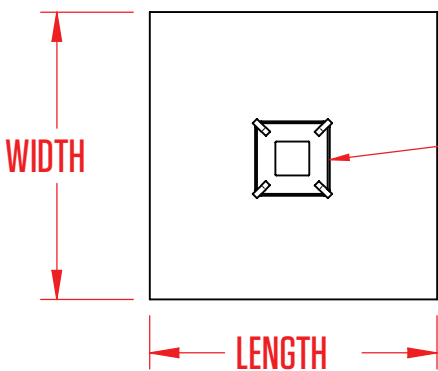
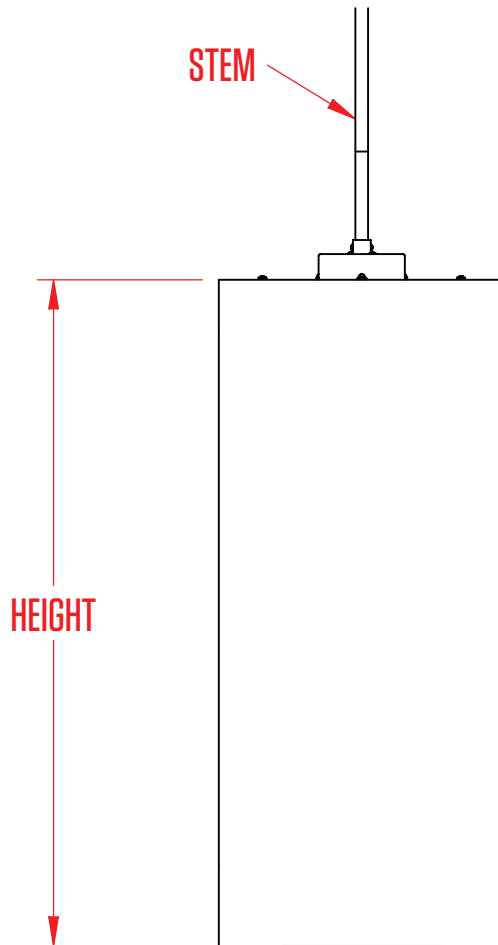
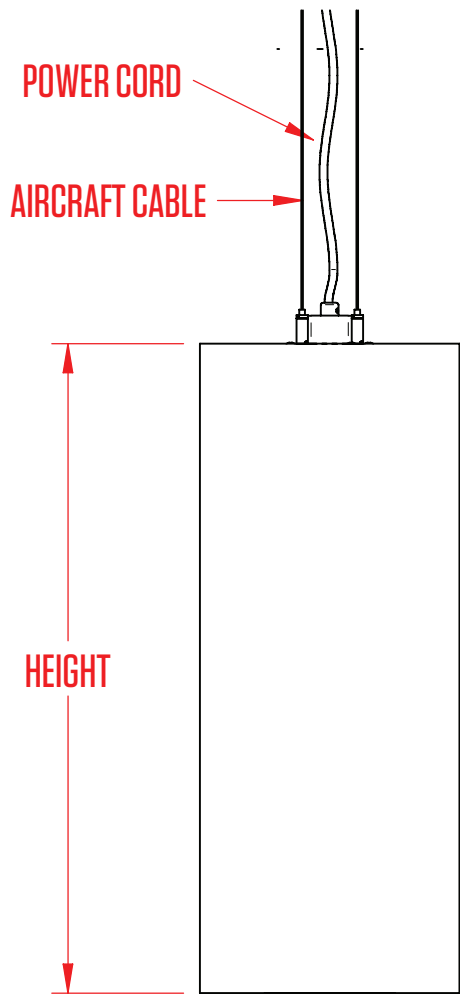


BIFROST TOWER

PENDANT



SPECIFICATION DETAILS



BIFROST TOWER

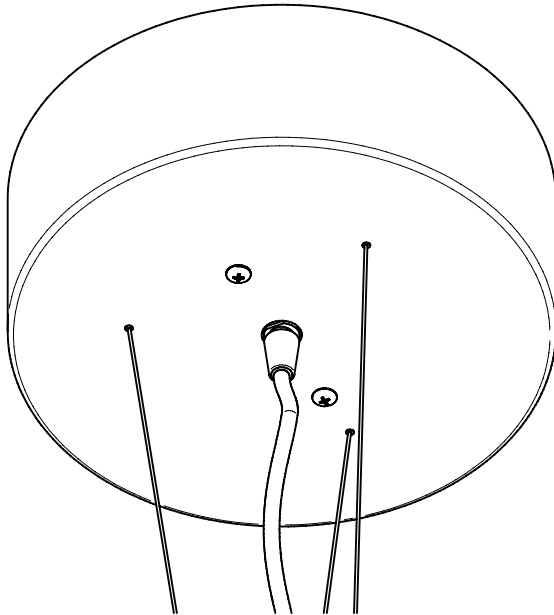
PENDANT



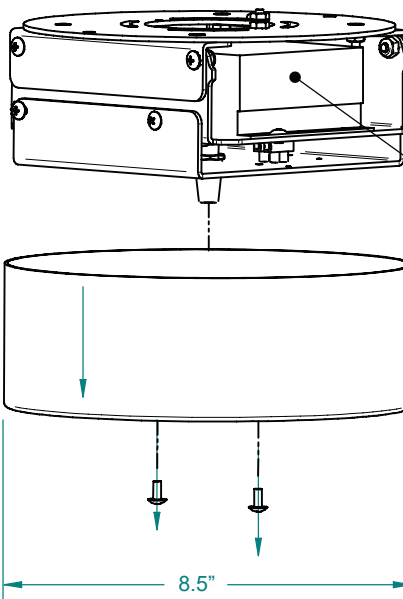
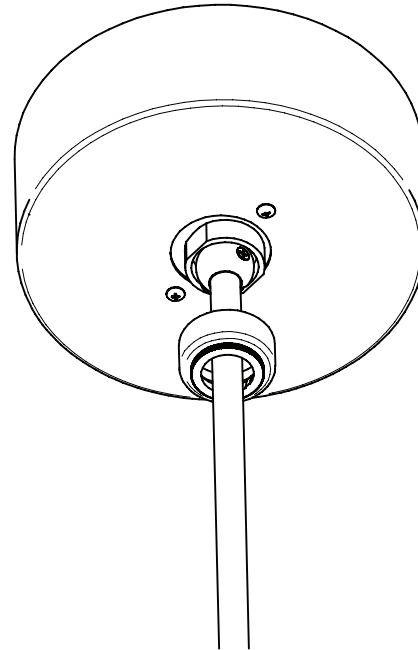
SPECIFICATION DETAILS (cont.)

Surface Canopy (SCDL)

Aircraft Cable



Stem



Driver configuration may vary based on order

BIFROST TOWER

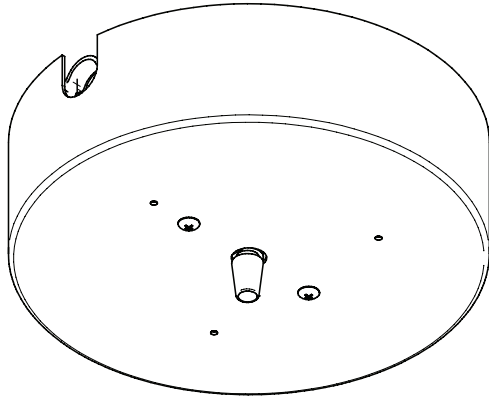
PENDANT



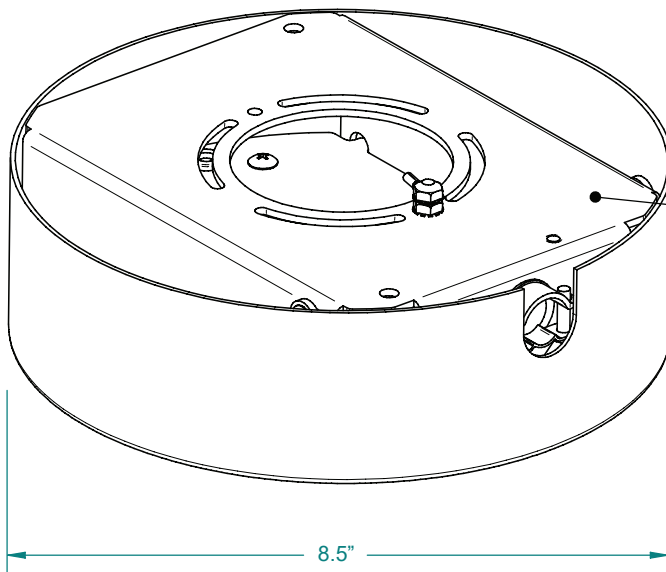
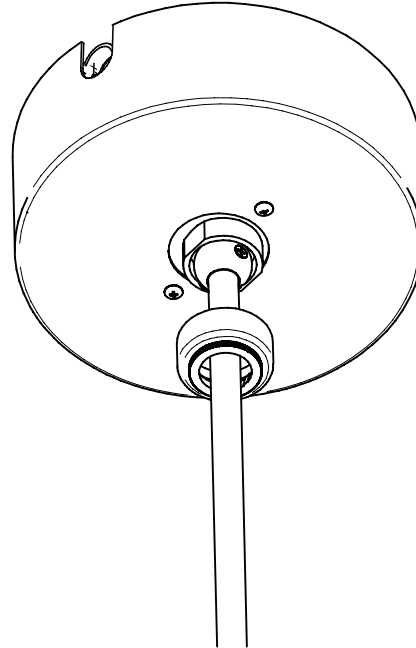
SPECIFICATION DETAILS (cont.)

Surface Circular Side Entry Canopy (SSDL)

Aircraft Cable



Stem



Driver configuration may vary based on order.

To be mounted directly to hard deck.

Armored/BX cable side entry.

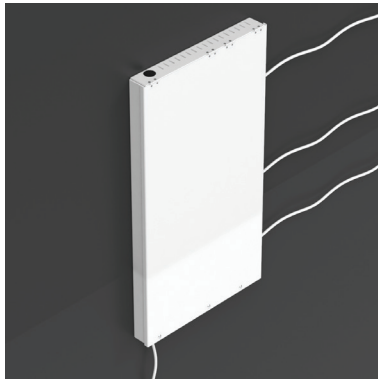
BIFROST TOWER

PENDANT

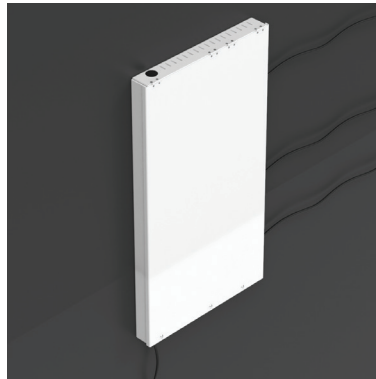


SPECIFICATION DETAILS (cont.)

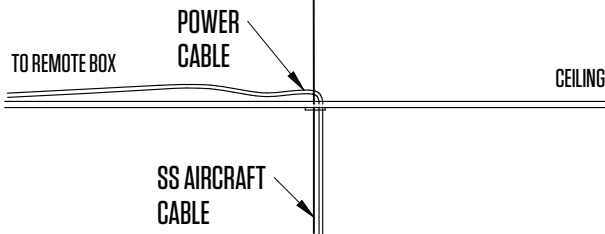
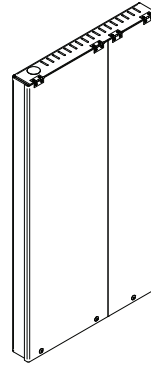
Remote Driver (RDDL)



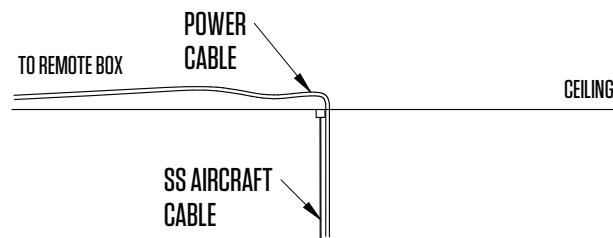
White Power Cord



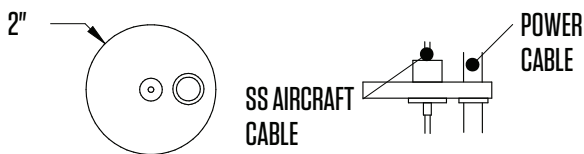
Black Power Cord



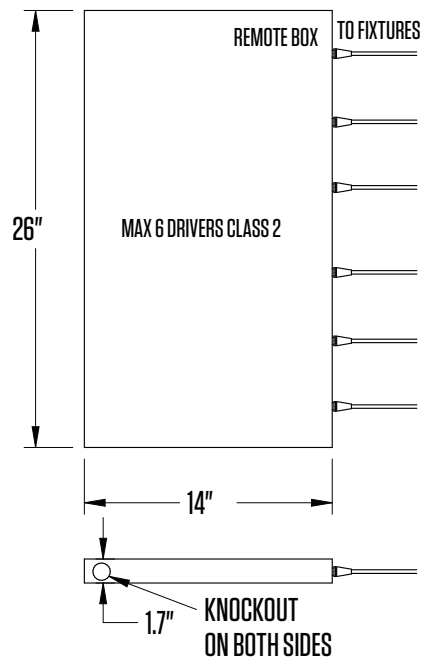
Acoustic Ceiling Power Supply Box Mounting Side View



Solid Ceiling Power Supply Box Mounting Side View



Ceiling Finishing Plate



Power Supply Box Dimensions

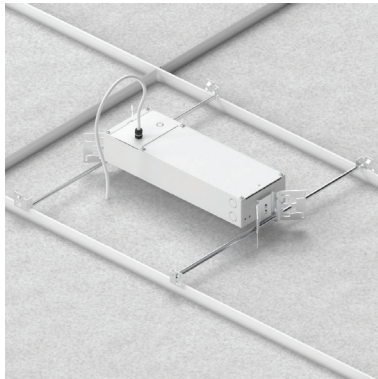
BIFROST TOWER

PENDANT

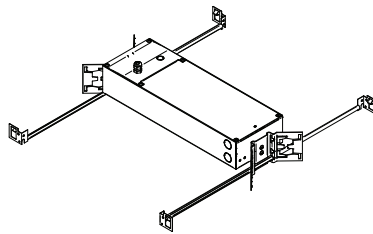


SPECIFICATION DETAILS (cont.)

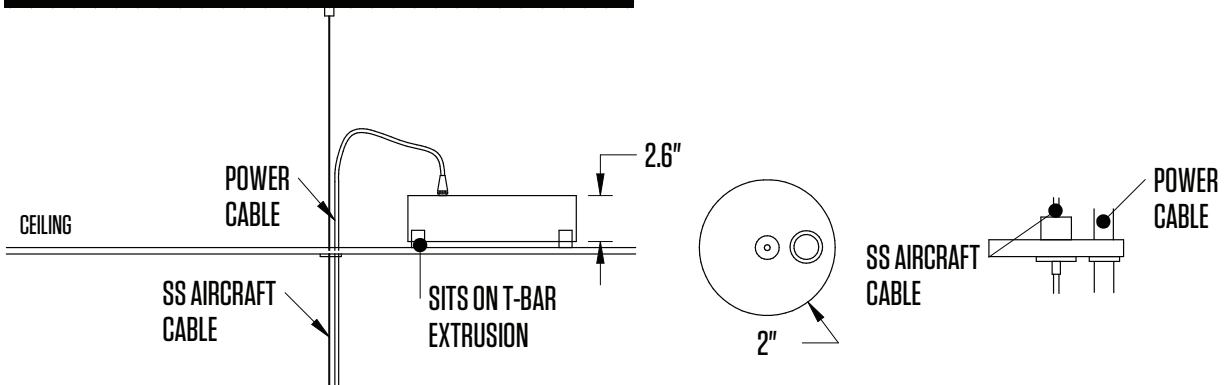
ACT Remote Driver (ADDL)



Driver Housing

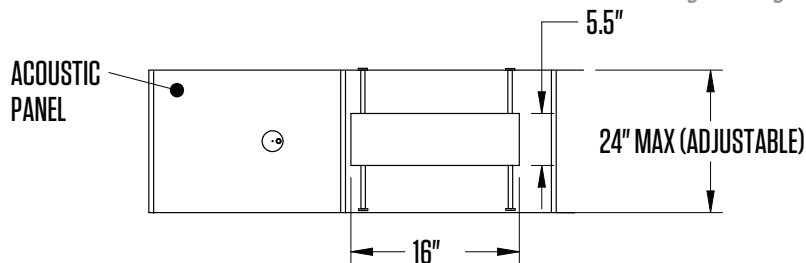


DECK



Above Ceiling Location Mounting Side View

Ceiling Finishing Plate



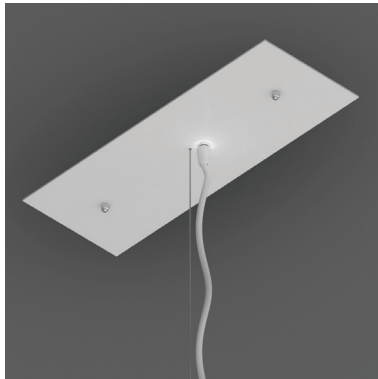
Above Ceiling Location Mounting Top View

BIFROST TOWER

PENDANT

SPECIFICATION DETAILS (cont.)

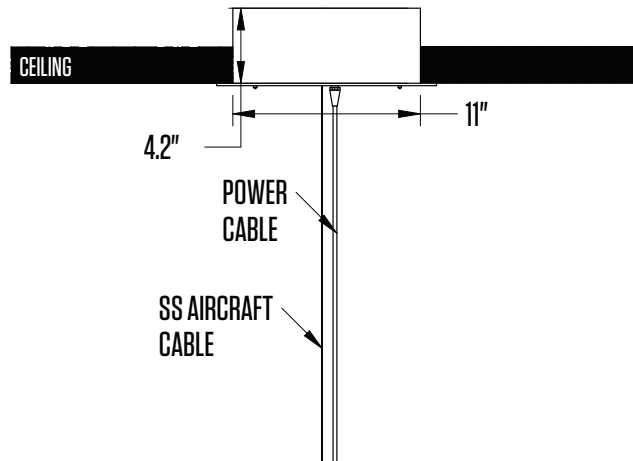
Flush Ceiling Canopy (FCDL)



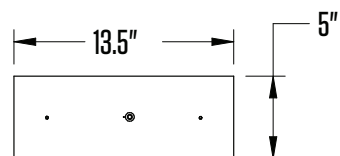
White Power Cord



Black Power Cord



Flush Ceiling Location Mounting Side View



Flush Ceiling Location Mounting Bottom View