

The turbine design of the Uxbridge is sure to turn heads. Available in 6 sizes and 3 fin configurations, with or without lighting options. Acoustic Fixtures are an excellent way to decrease ambient noise in your space.

High design and function make these fixtures a beautiful and unique way to establish your own Quietude.

RELATED PRODUCT



Belleville



Carambola



Zepher



HPC Pendant

AVAILABLE FINISH OPTIONS

Acoustic



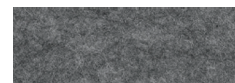
carrot AR-CRT



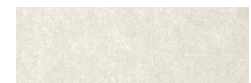
cornflower AR-CNF



ebony AR-EBY



heather AR-HTH



linen AR-LIN



marble AR-MAR



moss AR-MOS



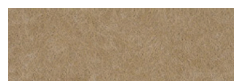
pacific AR-PAC



ruby AR-RBY



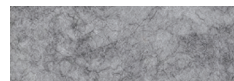
saffron AR-SFN



sand AR-SND



slate AR-SLT



storm AR-STR



ultramarine AR-UMR

UXBRIDGE

ACOUSTIC PENDANT



ACOUSTIC SPECIFICATION

Fixture	Type	Number of Fins	Diameter	Acoustic Material
ARF-103	<input type="checkbox"/>	<input type="checkbox"/>	<input type="checkbox"/>	<input type="checkbox"/>
ARF-103 Uxbridge	L Lit U Unlit	4F 4 8F 8 12F 12	13D 13" (lit-HPC 4"D 12"H) 28D 28" (lit-HPC 6"D 24"H) 39D 39" (lit-HPC 8"D 36"H) 52D 52" (lit-HPC 10"D 48"H) 64D 64" (lit-HPC 10"D 60"H) 76D 76" (lit-HPC 10"D 72"H)	AR-CRT Carrot AR-CNF Cornflower AR-EBY Ebony AR-HTH Heather AR-LIN Linen AR-MAR Marble A2-MOS Moss AR-PAC Pacific AR-RBY Ruby AR-SFN Saffron AR-SND Sand AR-SLT Slate AR-STR Storm AR-UMR Ultramarine

LIGHTING SPECIFICATION

Mounting	Driver Location	Voltage	Power Cable Finish	Canopy Finish
<input type="checkbox"/>	<input type="checkbox"/>	UNV	<input type="checkbox"/>	<input type="checkbox"/>
ACM Aircraft Cable <i>Standard length 120"</i> STM Stem Mount <i>Standard length 48"</i>	SCDL Surface Circular Canopy SSDL Surface Circular Side Entry RADL Remote Acoustic Ceiling RHDL Remote Hard Ceiling ADDL ACT Remote Driver FCDL Flush Ceiling CUSDL Custom Driver	UNV 120/277 Volts <i>Consult factory for other voltages</i>	WPC White BPC Black	WCF White BCF Black ACF Brushed Aluminum RAL Custom <i>RAL North America; Consult factory</i>

Color Temperature	Color Rendering	Delivered Output	Dimming Driver
<input type="checkbox"/>	90CRI	<input type="checkbox"/>	<input type="checkbox"/>
White Sources 2700K 2700K 3000K 3000K 3500K 3500K 4000K 4000K 3000FS Full Spectrum 3000K 3500FS Full Spectrum 3500K <i>Full spectrum .95 reduced output contact factory</i> 2765K Tunable White* 2700K - 6500K CUSK Custom CT*	RGB / RGBW Sources RGBW RGBW* 90CRI 90+CRI	White Sources Static/Tunable 0800LM Standard 800 lm/ft (8W/ft) <i>standard for 4"</i> 1200LM Standard 1200 lm/ft (12W/ft) <i>standard for 6"</i> CUSLM Custom Lumen Output* 600lm/ft - 4800lm/ft <i>Consult factory for outputs outside of this range</i> <i>* Maximum output varies by diameter</i> 4" - 1600 lm/ft (16W/ft) 6" - 1600 lm/ft (16W/ft) RGB / RGBW Sources 27WO 27W/Linear ft* <i>Consult factory for delivered lumens and additional information</i>	White Sources Static S010V10 Standard 0-10V, 10% S010V01 Standard 0-10V, 1%, (dim to off) EDALI01 DALI control, 0.1% LECO01 Lutron Ecosystem, 1% SOFTB, (Soft-on, Fade-to-Black) White Sources Tunable TW010V Tunable White 2-Channel 0-10V TWDALI Tunable White DALI control LECOTW Lutron Ecosystem, 1%, Tunable White - T series RGB / RGBW Sources EDMX01 DMX, 0.1% CUSDD Other Driver Options <i>Consult factory for availability of other driver options (including POE and Camera Safe)</i>

OPTIONAL

Downlight Lumens	Downlight Beam Angle
<input type="checkbox"/>	<input type="checkbox"/>
NODL No Downlight 0800DL 800LM (8W) 1200DL 1200LM (12W)	NRBA Narrow Beam Angle (~20°) WDBA Wide Beam Angle (~65°)

WRITTEN SPECIFICATIONS

LED System

- LED Circuitry is applied to minimum 0.0625" thick aluminum extruded cores for excellent heat management. Fixture uses **Four-Core and Six-Core Technology** to provide even illumination in all directions.
- LEDs are 90+CRI, 3 SDCM.
- Static White, 4' fixture performance at 3000K, 90+ CRI, 5472lms, 48.00 Watts, 114 LPW Delivered
- Full Spectrum, efficiency is 98 lm/W; CRI is 96+ with all R1-R15 values at 90 or higher and Rf (fidelity) of 95, Rg (gamut) of 105.
- Tunable White, efficiency is 100 lm/W; Delivered lumens will stay consistent across full CCT range.
- RGBW lumen outputs per channel as follows:
White only: 720 lm/ft @ 25% of W Green only: 588 lm/ft @ 25% of W
Red only: 214 lm/ft @ 25% of W Blue only: 104 lm/ft @ 25% of W
- All four channels max: 1620 lm/ft (approx 9000K CCT)

Construction

- Diffuser: 0.120" Extruded PETG (polyethylene terephthalate glycol-modified); which is a variant of PET used in water bottles everywhere. Designed to be used in environments where high levels of disinfectant products are used. It is also has a much higher impact resistance than Acrylic and is available up to 20 feet in single lengths.
 - Barbican uses a proprietary diffusion formula PETG which in conjunction with the LED system provides excellent efficiencies of up to 115 lumens per watt at 3000K 90+ CRI.
- Metal construction to be aluminum minimum 0.0625" thickness. Fasteners are to be stainless steel.
- Cable grippers are nickel plated solid brass and stainless steel. Cables are 1/16" stainless steel.
- Canopies and driver housings are minimum 0.0625" aluminum.

Mounting

- Surface cable mounts are nickel plated solid brass and are supplied with escutcheon plates for through surface power cables. Power cables are low voltage from the canopy/remote mounted drivers.
- Drivers: All drivers are mounted remote from the fixture. Standard drivers include 0-10V 10% dimming 120/277V with Power Factor of >.9. Barbican works with most Control and Driver manufacturers including POE and can easily modify the driver housings for special control gear. Fixtures over 96W may require more than one driver per fixture.
- Emergency fixtures are supplied with leads and KO for UL924 relays (by others). Battery back up will usually only drive one or two of the cores in larger fixtures to maintain the 90 minute requirement. Maximum distance driver to fixture 15 feet.
- Labels: ETL US and Canada, CE Europe and Middle East (Dry, Damp indoor use only)
- Finish: Polyester Powder Coated standard, Hand Brushed Aluminum
- Lumen Maintenance: Reported L90 > 10,000hrs, Calculated > 60,000hrs (TM-21)
- Warranty: 5 years limited at 25 Celsius. Contact Barbican for additional information.

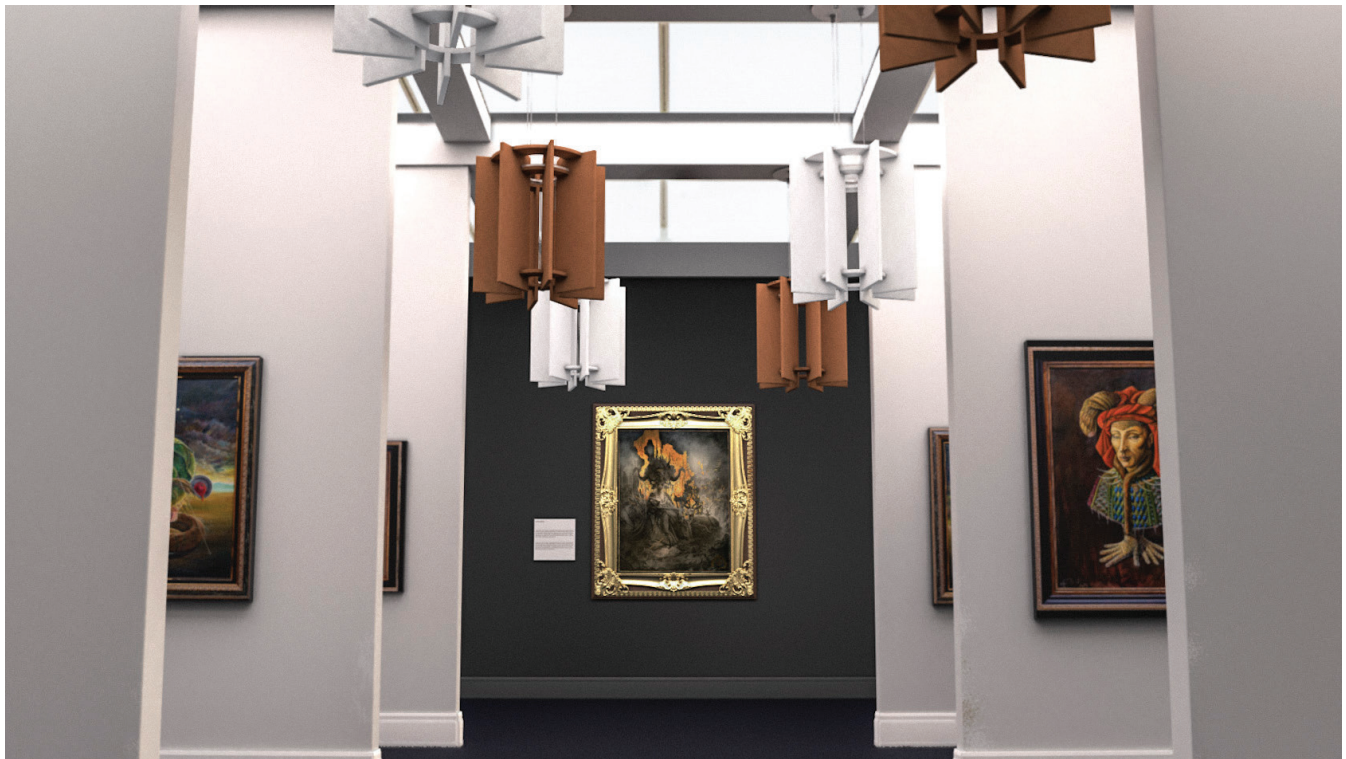
LABELS



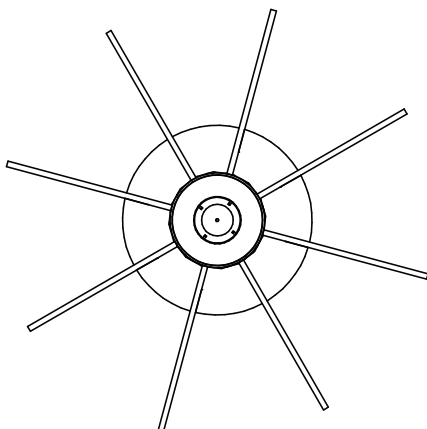
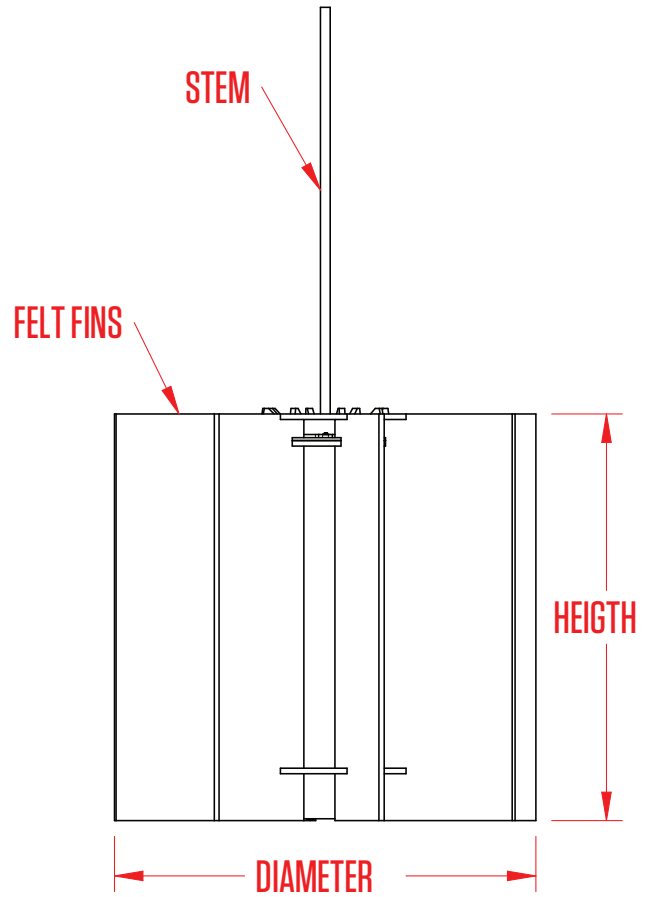
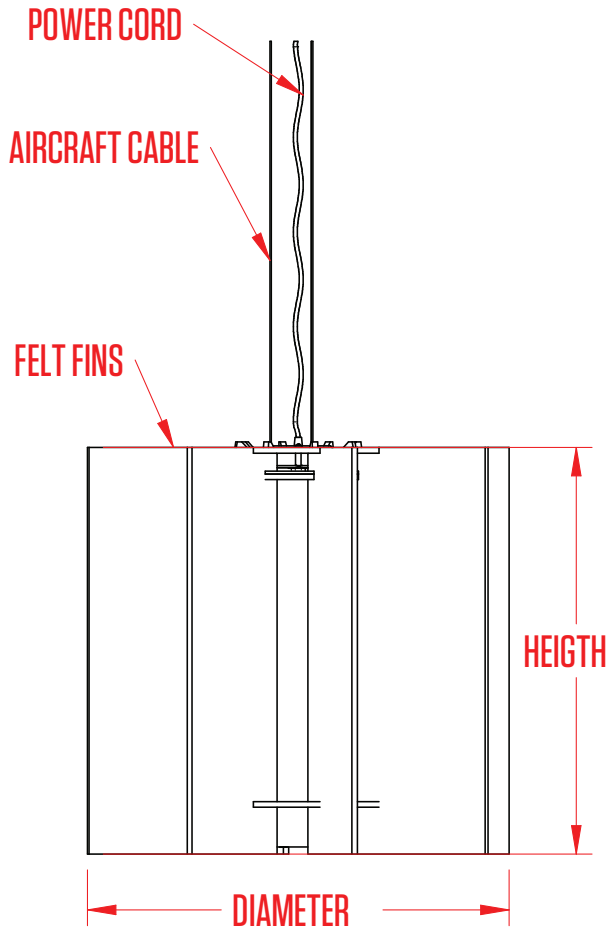
APPLICATIONS - lit



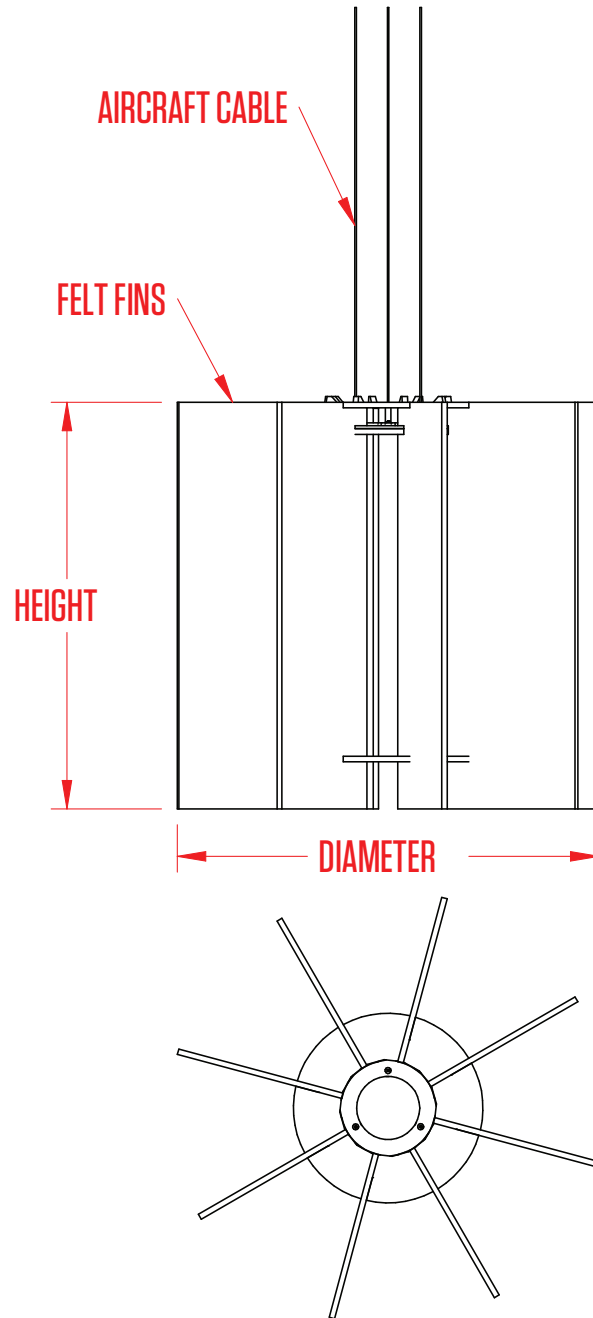
APPLICATIONS - lit/unlit



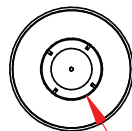
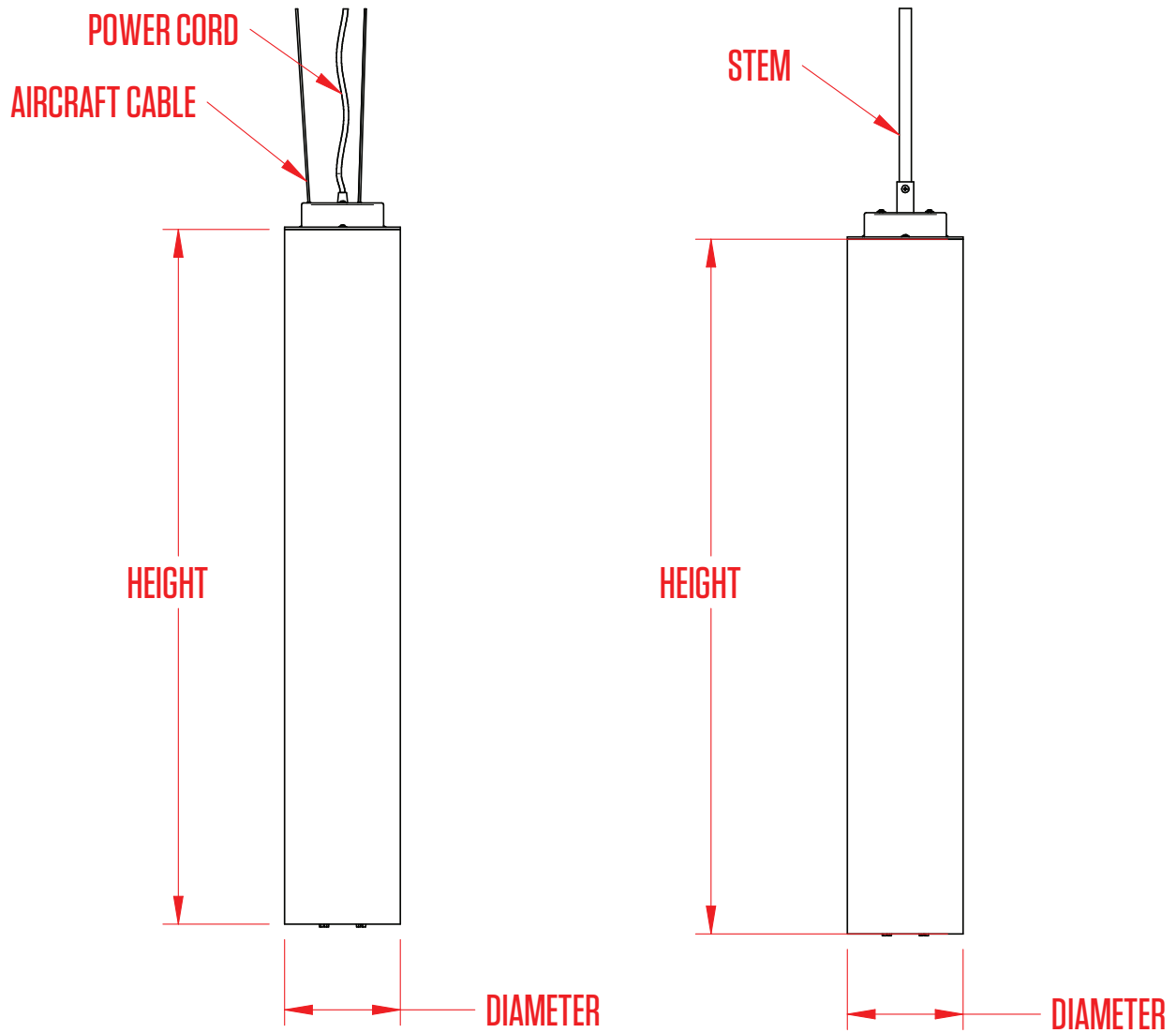
SPECIFICATION DETAILS lit



SPECIFICATION DETAILS lit

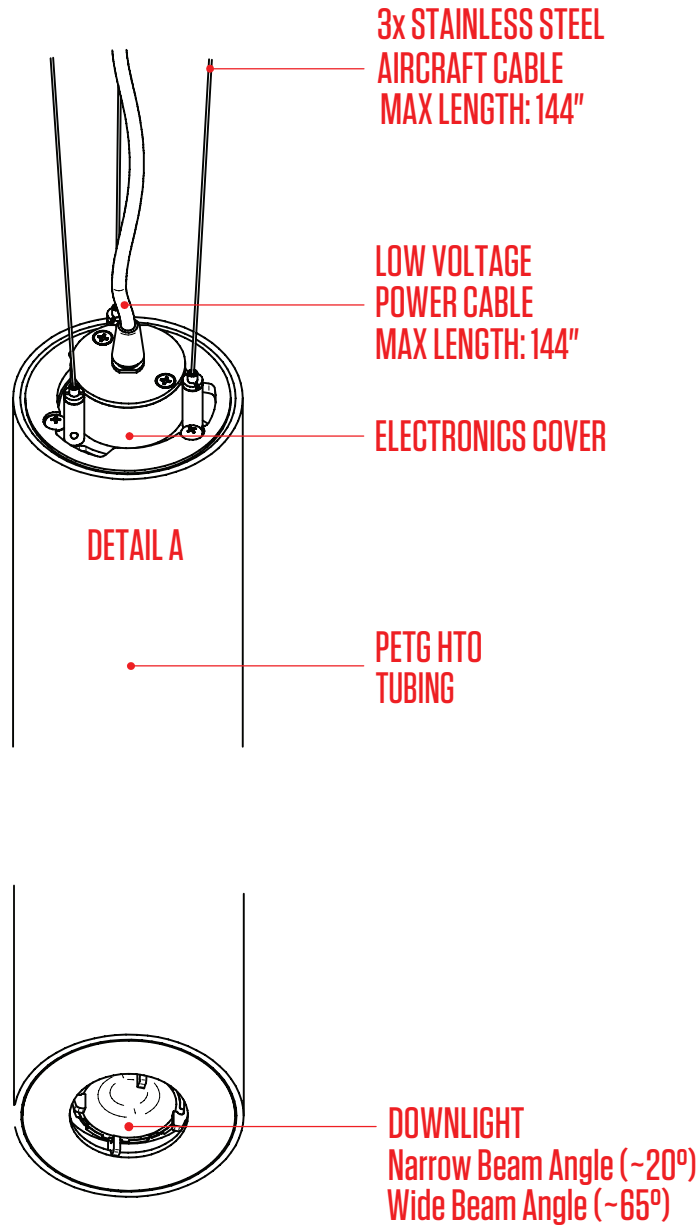


HPC PENDANT SPECIFICATION DETAILS



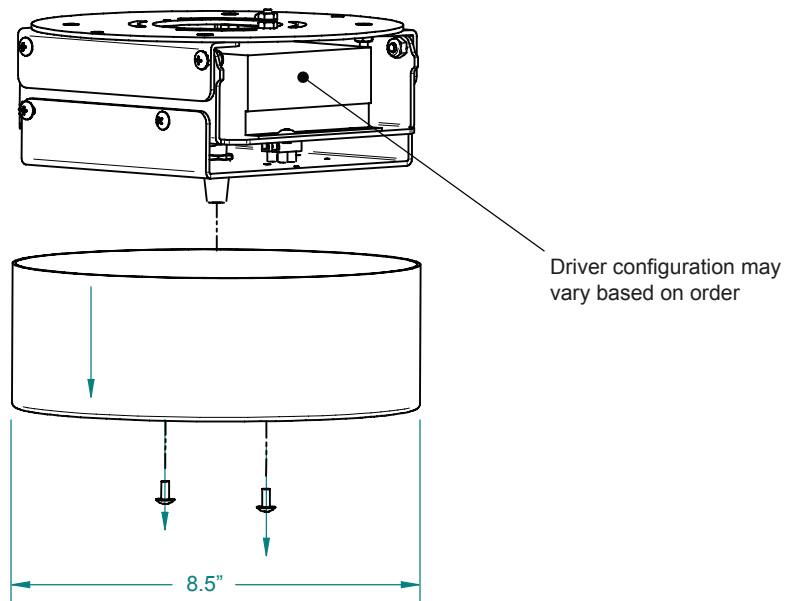
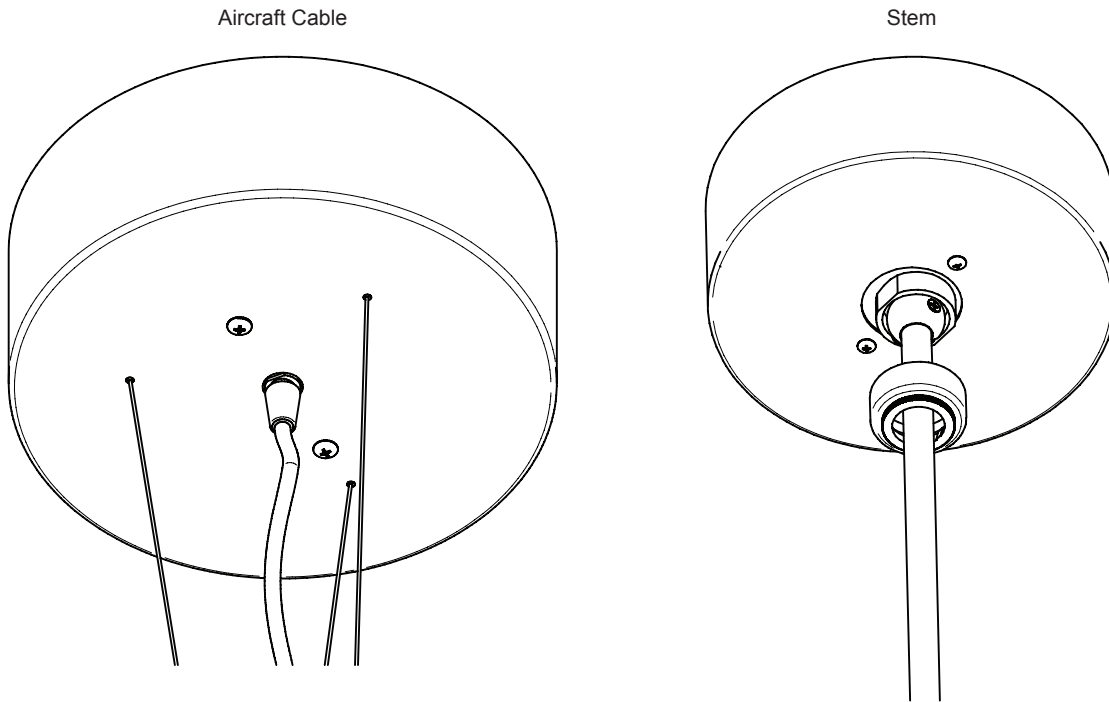
Ø 3" OPENING REMAINS CONSTANT FOR ALL DIAMETERS

HPC PENDANT SPECIFICATION DETAILS



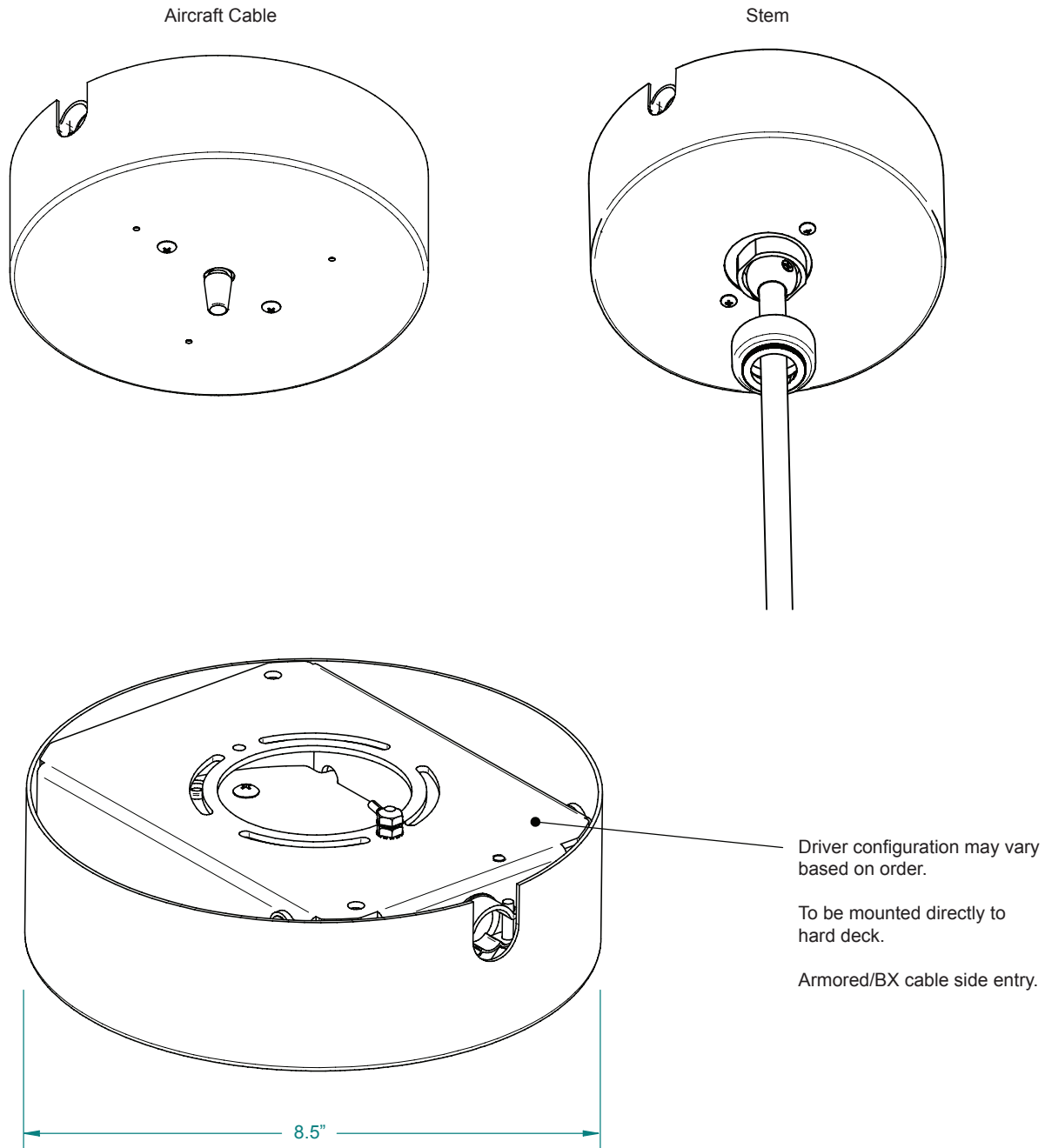
SPECIFICATION DETAILS (cont.)

Surface Canopy (SCDL)



SPECIFICATION DETAILS (cont.)

Surface Circular Side Entry Canopy (SSDL)

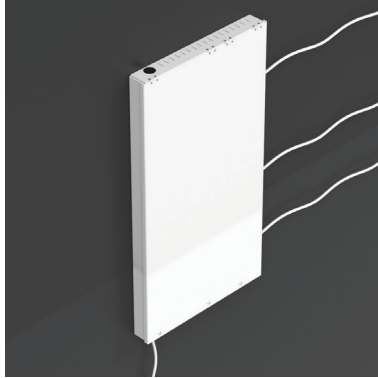


UXBRIDGE

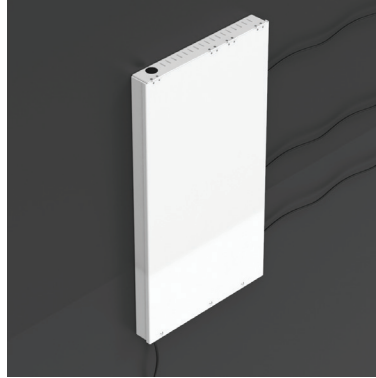
ACOUSTIC PENDANT

SPECIFICATION DETAILS (cont.)

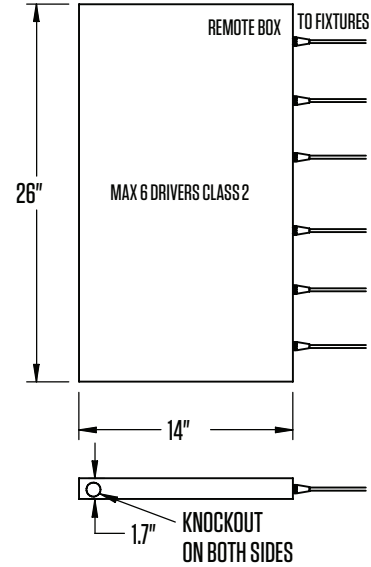
Remote Acoustic Ceiling Driver / Remote Hard Ceiling Driver (RADL / RHDL)



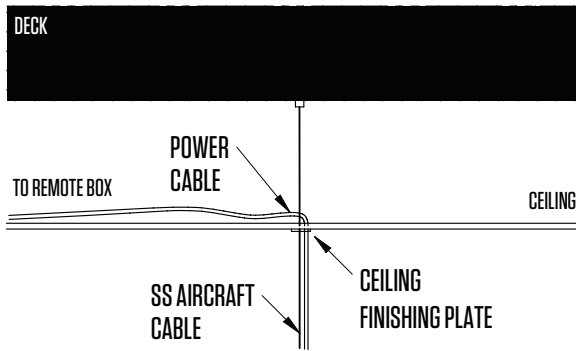
White Power Cord



Black Power Cord

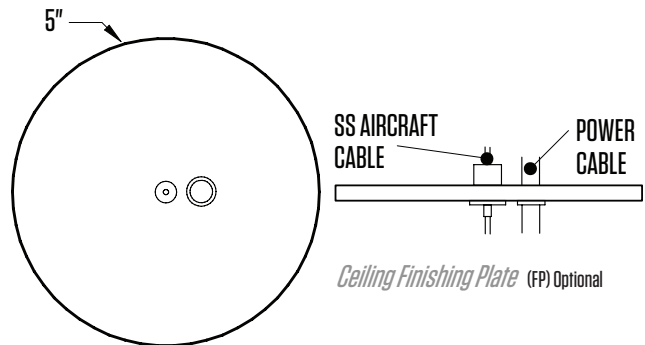
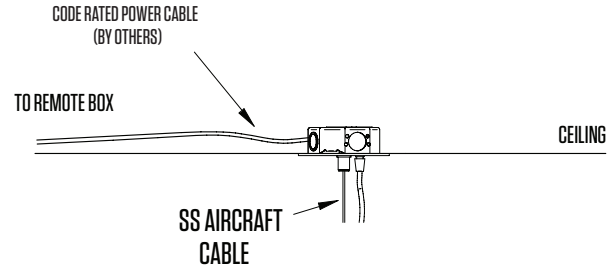


Non Plenum Rated Power Supply Box Mounting Side View (RADL)



Ceiling Finishing Plate (FP) Optional

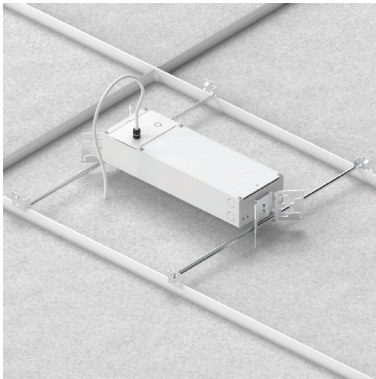
Solid Ceiling Power or Plenum Rated Supply Box Mounting Side View (RHDL)



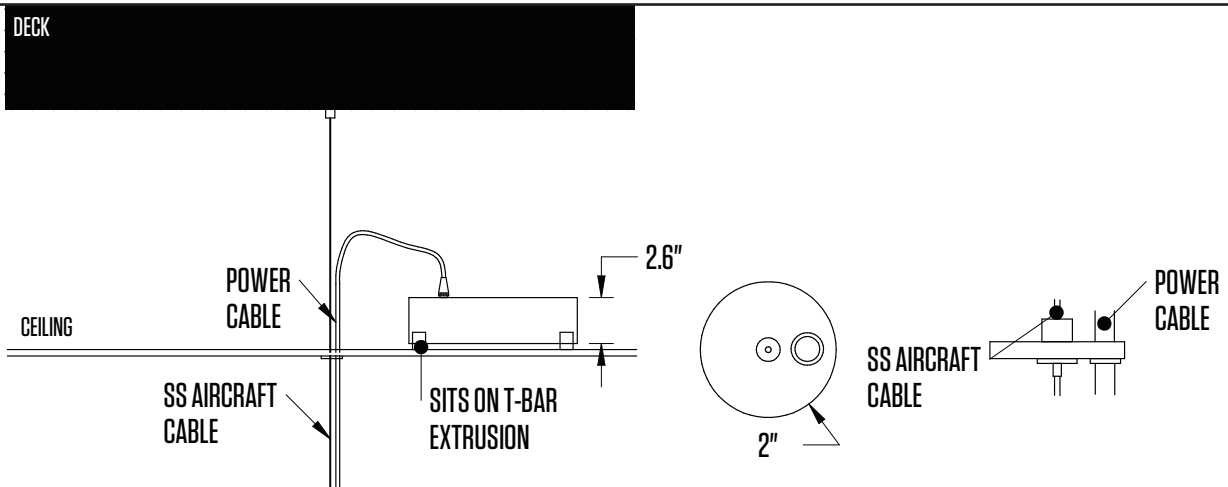
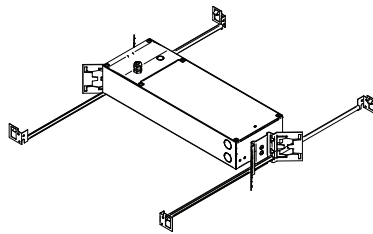
Ceiling Finishing Plate (FP) Optional

SPECIFICATION DETAILS (cont.)

**ACT Remote
Driver (ADDL)**

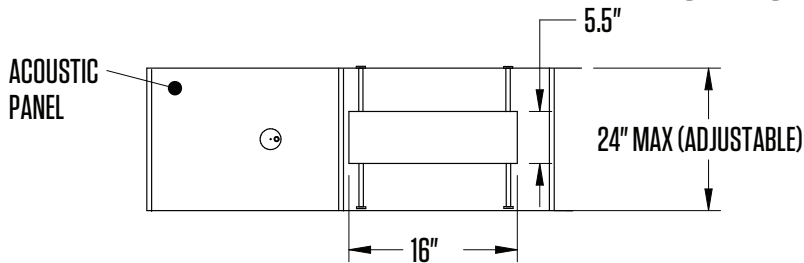


Driver Housing



Above Ceiling Location Mounting Side View

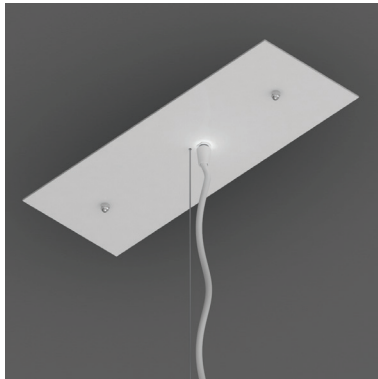
Ceiling Finishing Plate



Above Ceiling Location Mounting Top View

SPECIFICATION DETAILS (cont.)

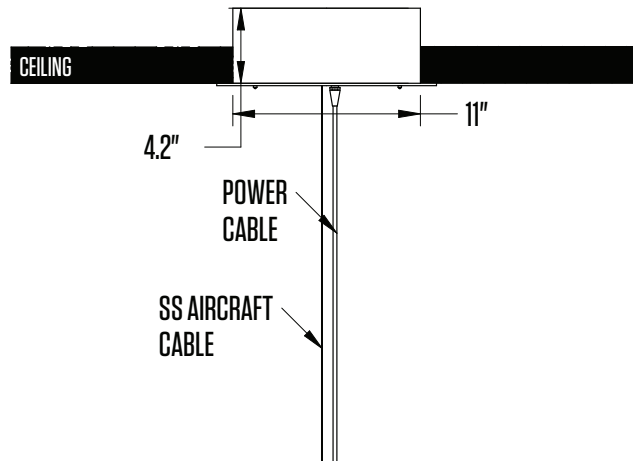
**Flush Ceiling Canopy
(FCDL)**



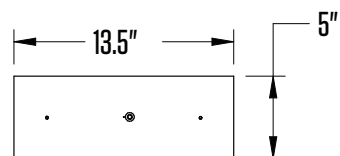
White Power Cord



Black Power Cord



Flush Ceiling Location Mounting Side View



Flush Ceiling Location Mounting Bottom View